



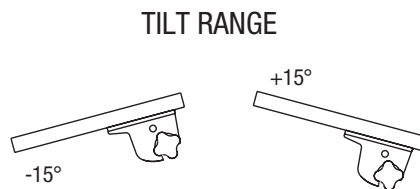
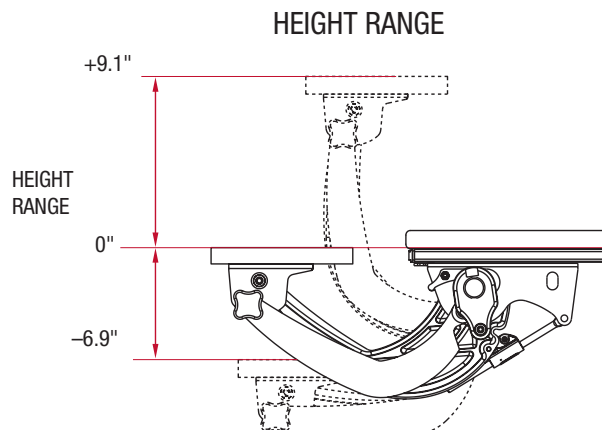
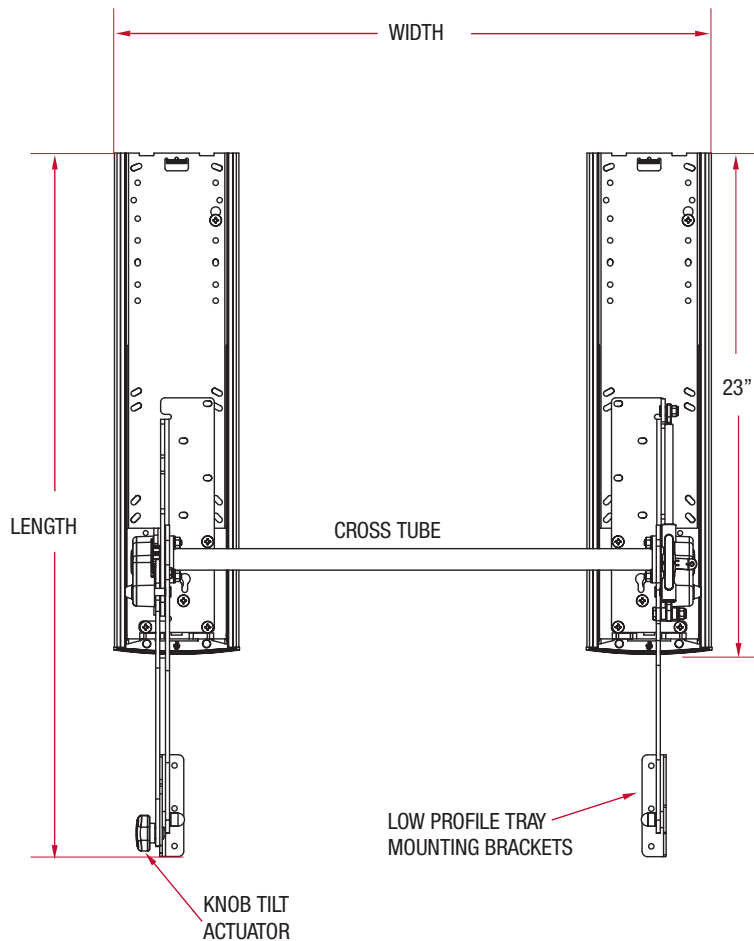
7090D2700B23

Storable Duet Arm

The highly versatile Duet is now available on storage tracks; great functionality, precision slide storage and excellent stability for those who like to alternate between sitting and standing while keyboarding.

7090 series

Features	Benefits
Stable, durable design	Ideal for heavy typing use
Knob for tilt adjustment	Provides independent tilt adjustment of +/- 15°
New and improved patented compact spring brake mechanism	Accommodates heavier loads with less possible interference by end user
Slim arms (less than 0.75" each)	Provides better knee clearance
16" height adjustment range	Designed to alternate between sitting and standing while typing
Counterbalance is field adjustable by installers	Adjusts for various surface weights
Paddle brake release	ADA compliant release mechanism
Stores on two 23" ball bearing tracks	Smoothly stores beneath the primary work surface

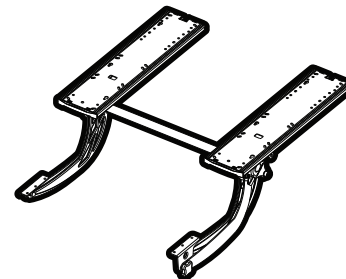


Storable Duet Arm 7090 series

Ancillary Products:

- Use with Knap & Vogt Waterloo CPU holders
- For flat panel displays, specify the Concerto or Xtend flat panel support systems

Model	Height Range	Tilt	Length	Width	Travel	Track Size	Track Style	Weight
7090D2700B23	+9.1" / -6.9"	-15°/+15°	32.7"	27.6"	17.5"	23.0"	Ball bearing	27.0 lbs



Black



Code Compliance: Exceeds ANSI/BIFMA standards

Notes: 1. Weight = packaged shipping weight per unit. 2. Specifications are subject to change without notice.



Knap & Vogt reserves the right to change product specifications at any time without notice and without incurring responsibility for existing units.
©2017 Knap & Vogt. KV and the KV logo are trademarks of Knap & Vogt.