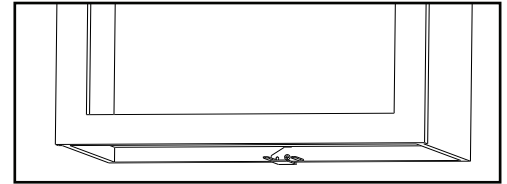


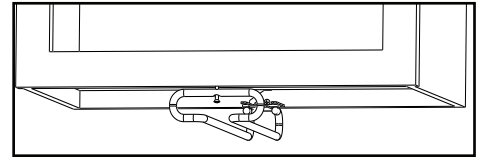
Stemware Installation Instructions

For the 3150-11XX

1. Position top of Stem-Clip to bottom of cabinet floor.
2. Secure Stem-Clip in place with #6 x 3/4" oval head screw.
3. Insert stemware into Stem-Clip, align front of stemware tangent to cabinet face.
4. Secure Stemware in place with #6 x 3/4" oval head screw.



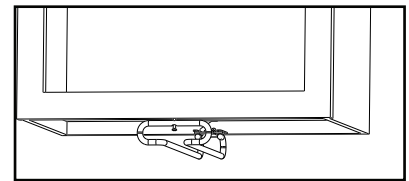
STEP 1



STEP 2

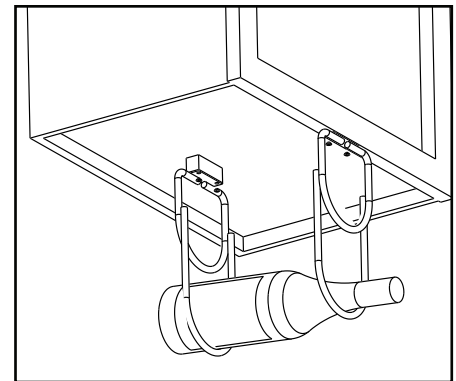
For the 3150-16XX

1. Position front of stemware tangent to cabinet face.
2. Secure front in place with #6 x 3/4" oval head screw.
3. Secure rear in place with #6 x 3/4" oval head screw.



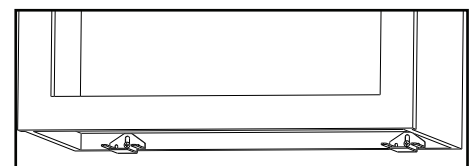
For the 3250XX

1. Position front of bottle rack tangent to cabinet face.
2. Secure in place with (2) #6 x 3/4" oval head screws.
3. Use a wine bottle to determine location of rear bottle holder. A spacer may be needed between holder and bottom of cabinet.
4. Secure in place with (2) #6 x 3/4" oval head screws.

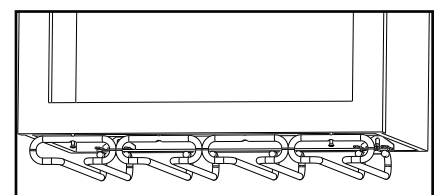


For the 3450-11XX

1. Position top of Stem-Clip to bottom of cabinet floor in 2 places.
2. Secure Stem-Clips in place with #6 x 3/4" oval head screw.
3. Insert stemware into Stem-Clip, align front of stemware tangent to cabinet face.
4. Secure Stemware in place with (2) #6 x 3/4" oval head screws.



STEP 1



STEP 2