



Installation Instructions

Thank you for purchasing Rev-A-Shelf spacer kit #4WCTM-SP-KIT.

This kit is to be used with the following top mount waste containers:

4WCTM-12DM1 4WCTM-15DM2 4WCTM-18DM2

4WCTM-12DM1 and 4WCTM-15DM2 are designed to fit inside of a 12" opening.

4WCTM-18DM2 is designed to fit inside a 15" opening.

There is one left side and one right side spacer in this kit. Each spacer is 1 1/2" thick. Therefore, if you have 4WCTM-15DM2 (fits a 12" opening) and use the spacer kit, it will now fit inside a 15" opening without any other modifications. If your cabinet opening is 14 1/2", you will need to cut both spacers to the correct thickness. See examples below.

<u>EXAMPLE 1:</u> 18" base cabinet, 1 3/4" face frame		<u>EXAMPLE 2:</u> 21" base cabinet, 1 3/4" face frame	
Cabinet opening	14 1/2"	Cabinet opening	17 1/2"
4WCTM-15DM2 fits	12" opening	4WCTM-18DM2 fits	15" opening
$14 \frac{1}{2}" - 12" = 2 \frac{1}{2}"$		$17 \frac{1}{2}" - 15" = 2 \frac{1}{2}"$	
$2 \frac{1}{2}" \div 2 \text{ spacers} = 1 \frac{1}{4}" \text{ per spacer}$		$2 \frac{1}{2}" \div 2 \text{ spacers} = 1 \frac{1}{4}" \text{ per spacer}$	

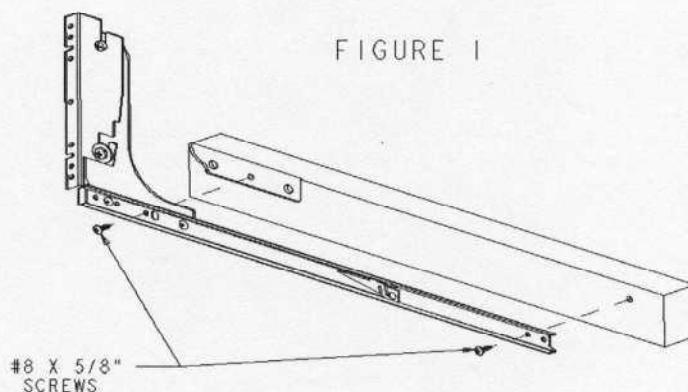
Both examples require the spacer thickness to be 1 1/4".

Step 1
Measure the cabinet opening and calculate the spacer thickness, based on the above examples. If necessary, cut the spacers to the correct thickness.

Step 2
Remove the slide from the left side of the 4WCTM wood frame. First disassemble the slide by depressing the black trigger release on the inside of the slide. Then extract (2) #8-32 machine screws that are holding the product member to the wood frame.

Step 3
Assemble the product member portion of the slide to the left spacer as shown in Figure 1. Use (2) of the #8 x 5/8" screws that were provided to screw through the slide and into the pilot holes in the left side spacer. Then re-engage the cabinet member portion of the slide.

Step 4
Repeat steps 2 and 3 for right side.



Step 5

Lay the 4WCTM wood frame face down as shown in Figure 2 and remove the (4) t-nuts.

Step 6

With the 4WCTM wood frame remaining face down, drill (4) additional pilot holes to attach the side spacers, see Figure 2. Locate each hole approximately 1 1/2" below the hole where the t-nut was removed in step 5. Drill a 3/16" hole through the frame.

Step 7

NOTE: If you modified the thickness of the spacers in step 1, you will not be able to utilize the pre-drilled hole (from the t-nut). You will need to drill an additional 4 mounting holes for mounting. We recommend drilling these mounting holes 1" to the inside of the t-nut hole. See Figure 2A.

Step 8

Lay the 4WCTM wood frame face down as shown in Figure 3. Position the left side spacer as shown so that both the top and the sides are flush.

Step 9

Then use (1) #8 x 1 1/4" screw that was provided to go through the t-nut hole and into the pilot hole in the left side spacer. Repeat for the same t-nut hole in the rear of the frame. Tighten both screws. NOTE: If you drilled holes as described in step 7, install the #8 x 1 1/4" screws into the holes noted in Figure 2A, rather than the t-nut holes.

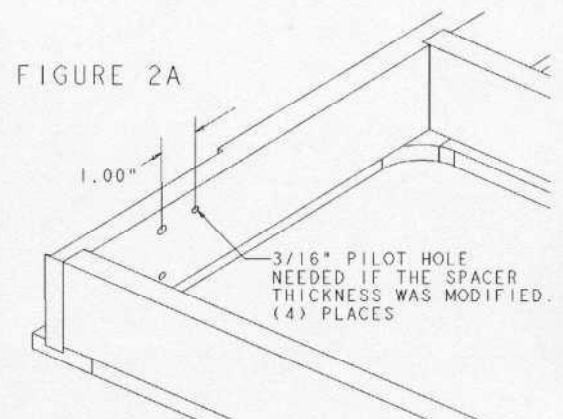
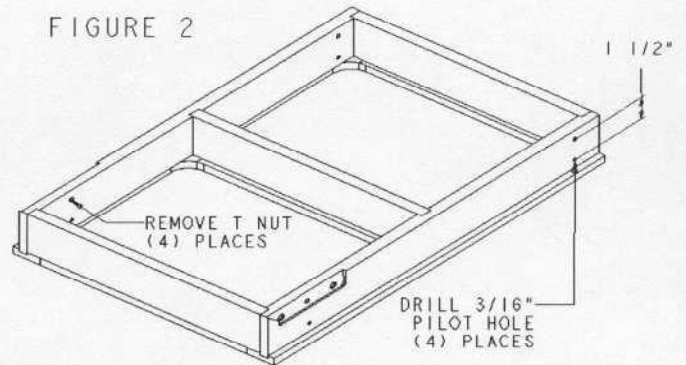
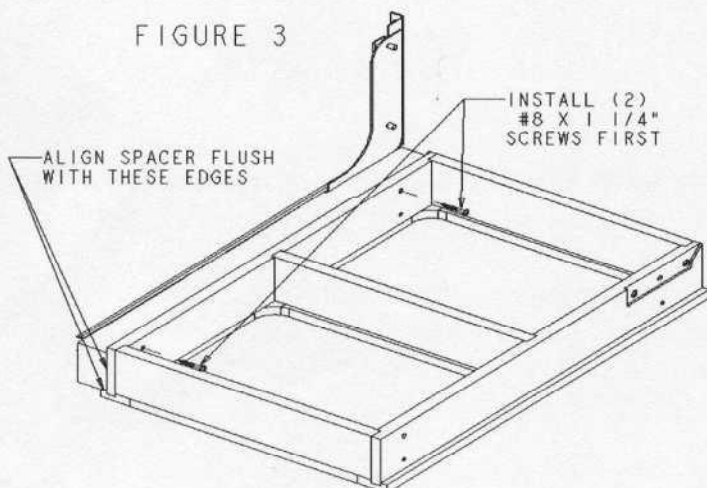


FIGURE 3



Step 10

Attach (2) additional #8 x 1 1/4" screws through the pilot holes drilled in Step 6.

Step 11

Attach the right side spacer, similarly as described in Steps 8 and 9.

Continue on with the Installation Instructions for the top mount waste containers with Door Mounting Brackets.