

REV-A-SHELF®

448 SPACER KIT INSTALLATION INSTRUCTIONS

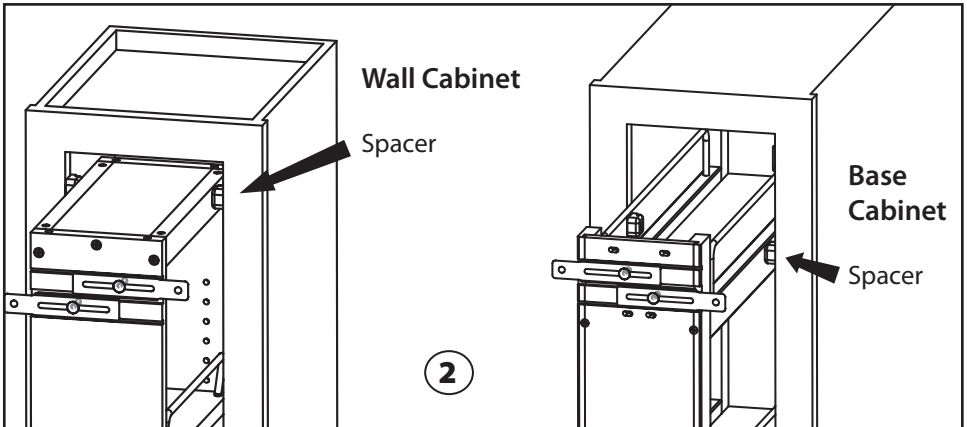
I-448-SPACER



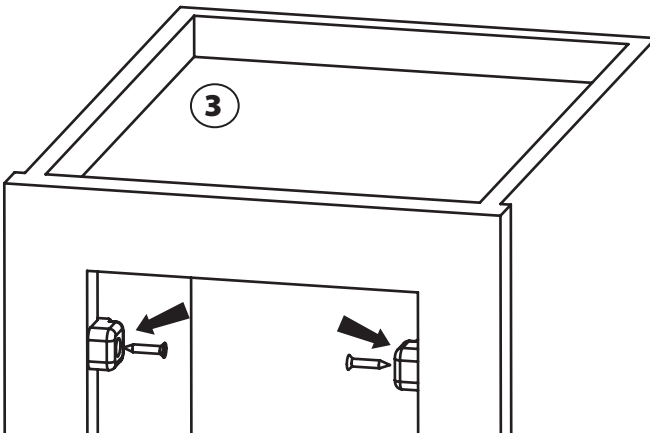
Use this spacer for
1½" face frame cabinet.



Use this spacer for
1¾" face frame cabinet.



For wall cabinets position spacer flush with the top of the unit.
For base cabinets position spacer flush with the top shelf.



Attach spacer with
#6 x ¾" flat head screws.