

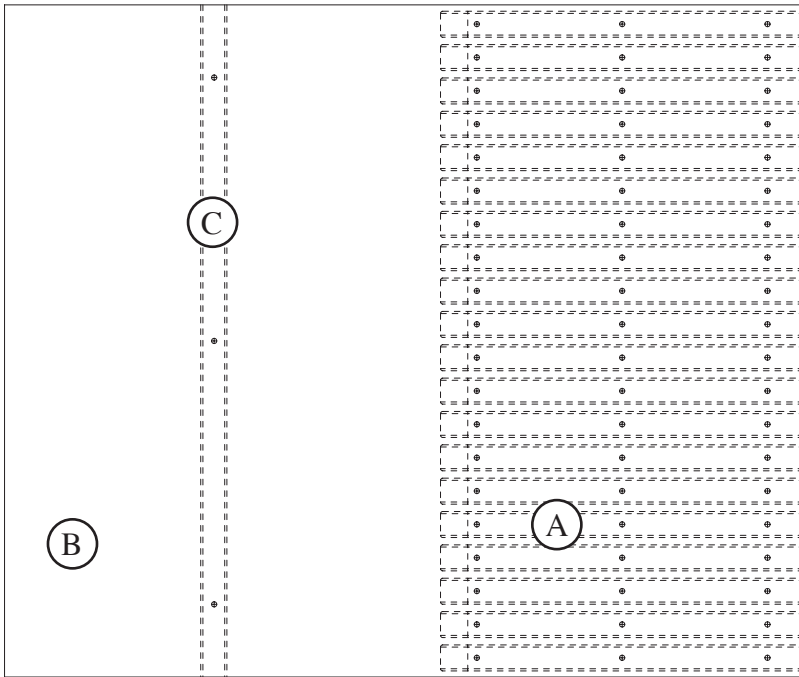


# Instructions for 4WKB-1 Wood Knife Block

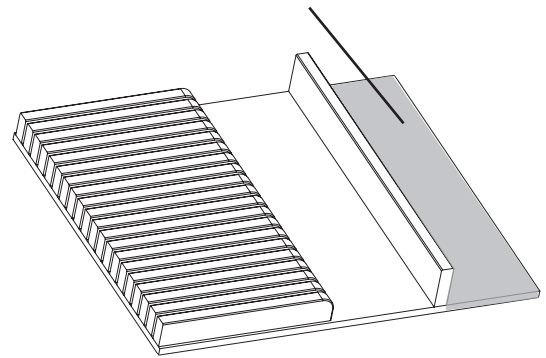
The 4WKB-1 Knife Block is designed to be trimmed in order to fit into most drawers.

## TO TRIM:

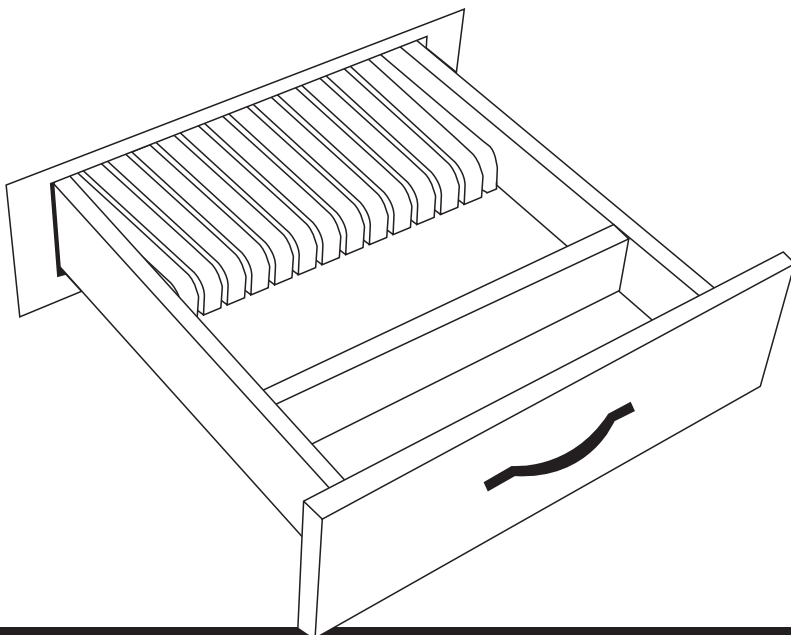
1. Measure your drawer opening.
2. Measure the knife block to see how many knife holders (a) will need to be removed to trim the back board (b) to size.



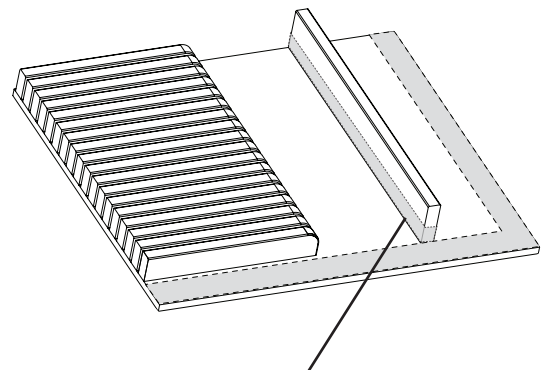
3. Remove the necessary knife holders and the front divider (c) by unscrewing them from beneath.
4. Measure and mark your backboard.  
NOTE: When trimming the depth of the knife block only cut materials on the outside of the front divider.



7. Reassemble and slide the knife block into your drawer.



5. The height of the front divider may also be trimmed to match the height of your drawer opening (c).
6. Trim your back board and front divider to fit.



The front divider is the tallest part of the knife block. You may also trim it to fit a variety of drawer heights.