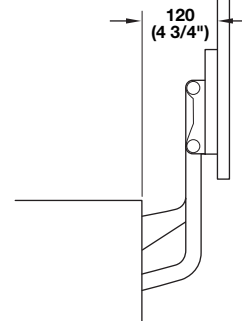


## Swing-up Fitting

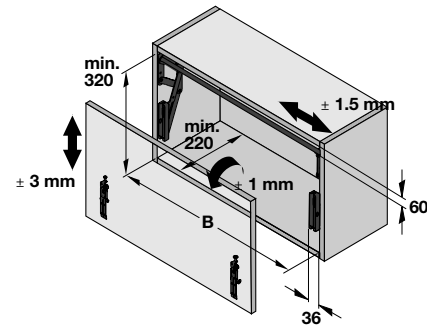


### Swing-up Fitting

- Adjusted to individual cabinet widths, by cutting the aluminium cross bar to the desired length.
- For assembly on wood doors or aluminum frames.
- For microwave, upper cabinets.
- Concealed front panel fixing.
- Amount of upward travel = 380 mm.



### Hinges, Stays and Aluminum Framed Doors



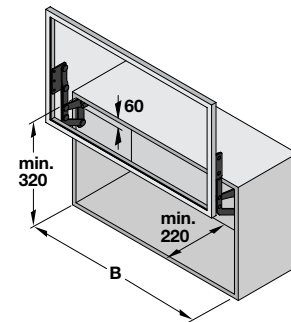
### Swing-up Fitting for Wood Doors

Finish: steel

Max. internal cabinet width <b>B</b>	Min. internal cabinet width	Max. front panel weight	Piston Strength	Cat. No.	
				white	silver RAL 9006
870 mm	450 mm (17 3/4")	5.0 kg (11 lbs.)	250 N	372.51.722	372.51.222
1170 mm	450 mm (17 3/4")	7.0 kg (15.4 lbs.)	320 N	372.51.732	372.51.232
1470 mm	450 mm (17 3/4")	8.5 kg (18.7 lbs.)	380 N	372.51.742	372.51.242

Packing: 1 pc.

- Aluminum frames can be found on page 710.



### Swing-up Fitting for Aluminum Frames

Finish: steel, aluminum silver RAL 9006

Max. internal cabinet width <b>B</b>	Min. internal cabinet width	Max. front panel weight	Piston Strength	Cat. No.
870 mm	450 mm (17 3/4")	5.0 kg (11 lbs.)	250 N	372.51.272
1170 mm	450 mm (17 3/4")	7.0 kg (15.4 lbs.)	320 N	372.51.282
1470 mm	450 mm (17 3/4")	8.5 kg (18.7 lbs.)	380 N	372.51.292

Packing: 1 pc.

Dimensional data not binding.  
We reserve the right to alter specifications without notice.

### Dimensions in mm

Inches are approximate

Call 1-800-667-8721 anywhere in the US and Canada - [www.haef.com](http://www.haef.com)