



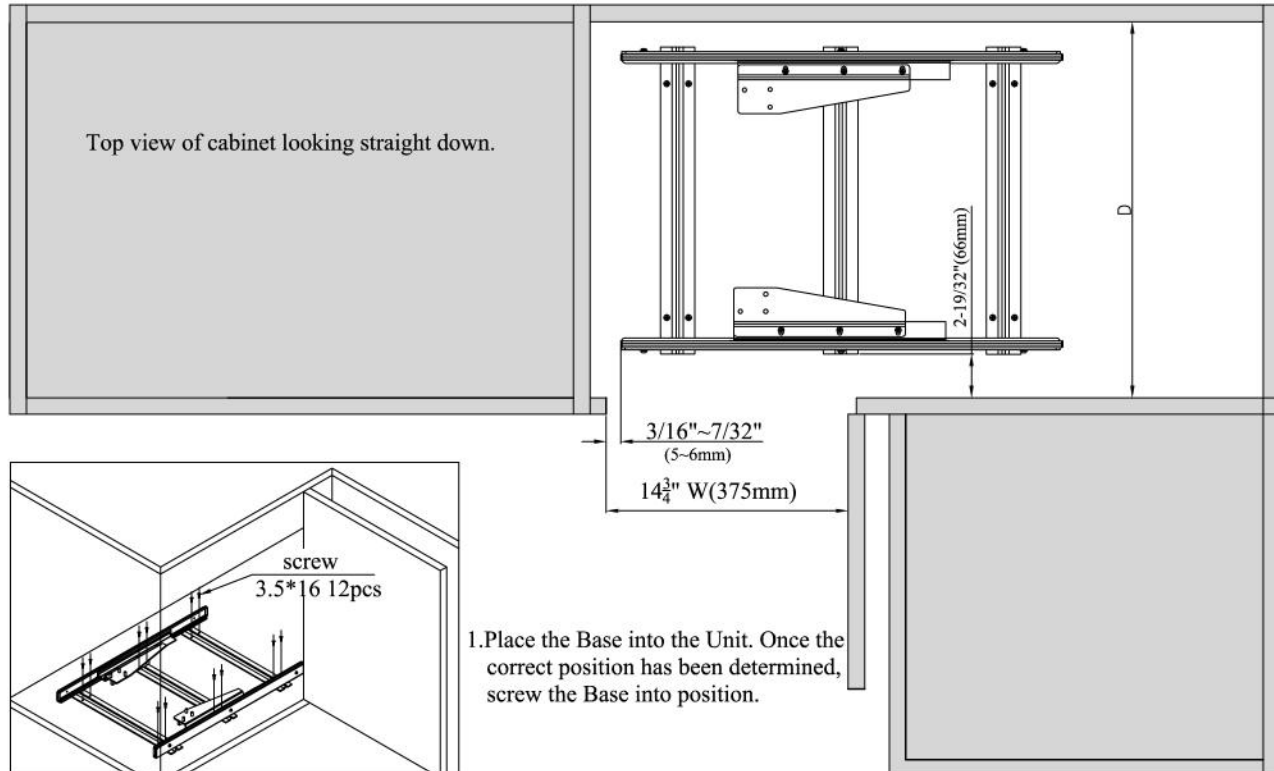
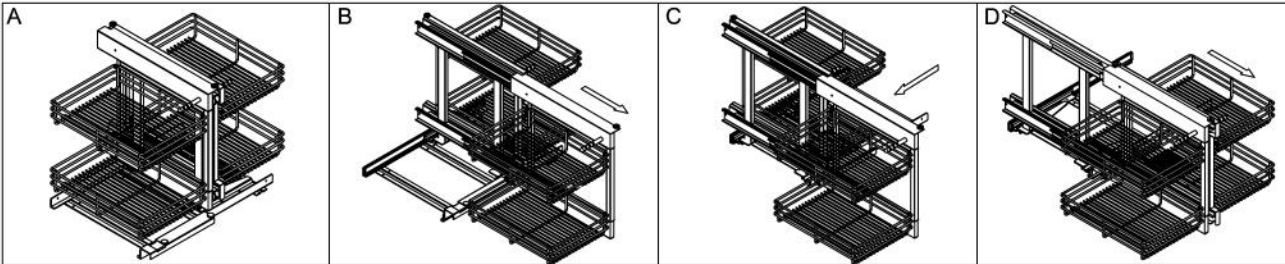
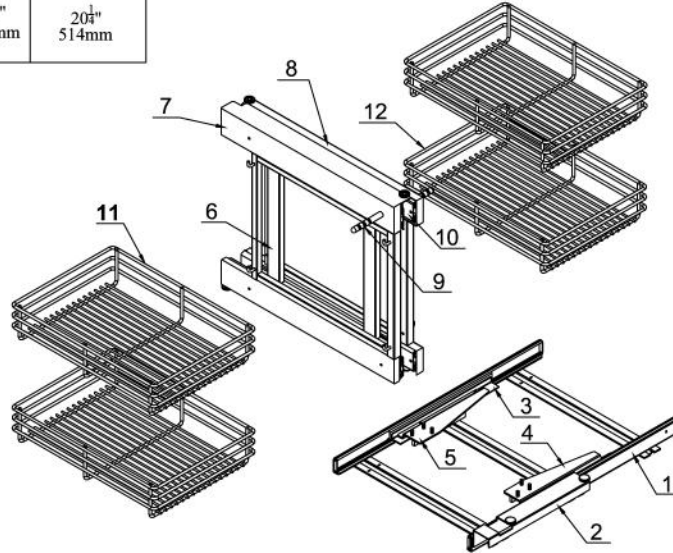
# Assembly Instructions BLIND CORNER OPTIMIZER BLIND RIGHT

an **SefaCo.** Store  
1-877-275-9111

Size of Product W*D*H	Size of basket D*W*H	Min. Door Open	Min. Cabinet Height	Min.Net Depth of cabinet D
26 <sup>3</sup> / <sub>8</sub> " x 20 <sup>1</sup> / <sub>8</sub> " x 20 <sup>7</sup> / <sub>8</sub> " 670mm x 510mm x 530mm	16 <sup>1</sup> / <sub>2</sub> " x 11 <sup>7</sup> / <sub>8</sub> " x 3 <sup>1</sup> / <sub>2</sub> " 420mm x 300mm x 88mm (Front and Rear)	14 <sup>3</sup> / <sub>4</sub> " 375mm	21" 533mm	20 <sup>1</sup> / <sub>4</sub> " 514mm

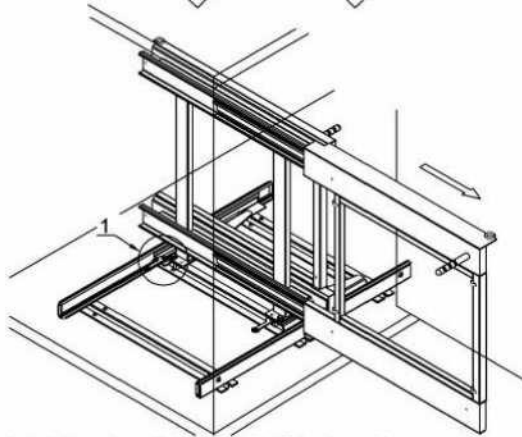
Baskets are Chrome, all others are silver powder coated.

Contents					
I	II	III	IV	V	VI
1-Base	1pc	6-Support	1pc	11-Basket	2pcs
2-Guide channel	1pc	7-Front Glide	1pc	12-Basket	2pcs
3-Slide	2pcs	8-Rear Glide	1pc	IV (Spare parts)	
4-Foot 1	1pc	9-Handle	2pcs	M5*10	6pcs
5-Foot 2	1pc	10-Slide	4pcs	ST3.5*16	12pcs
				M6(Nut)	6pcs

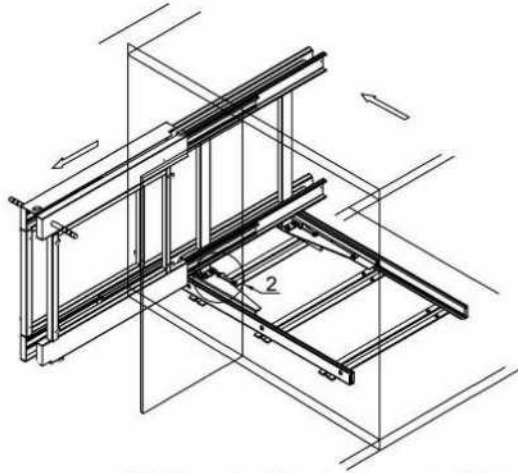


# REV-A-SHELF®

## Assembly Instructions BLIND CORNER OPTIMIZER BLIND RIGHT

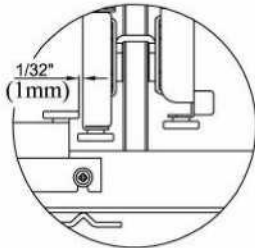
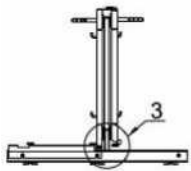


2.1. Move the slides to end of the base frame. Place the Support and Glides onto the Base and locate using 2 nuts supplied ( referring to drawing NO.1 ).

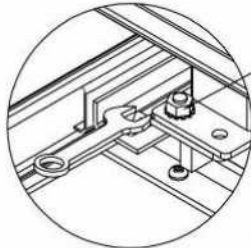


2.2. Move the slides to other end of the base frame lightly and locate using 4 nuts supplied ( referring to drawing NO.2 ).

Drawing No.3

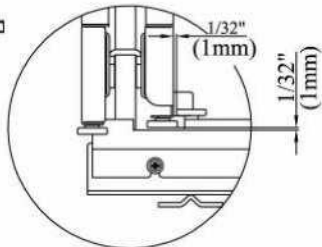
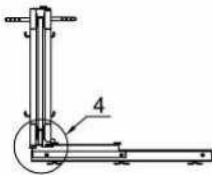


Drawing No.1

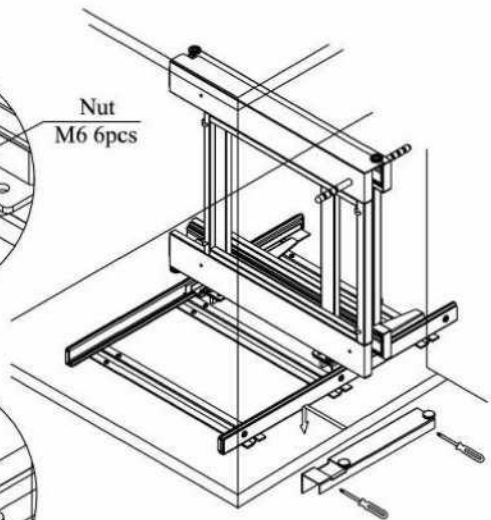
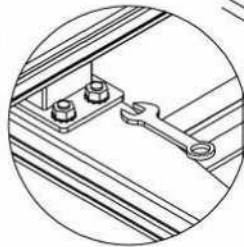


Nut  
M6 6pcs

Drawing No.4



Drawing No.2

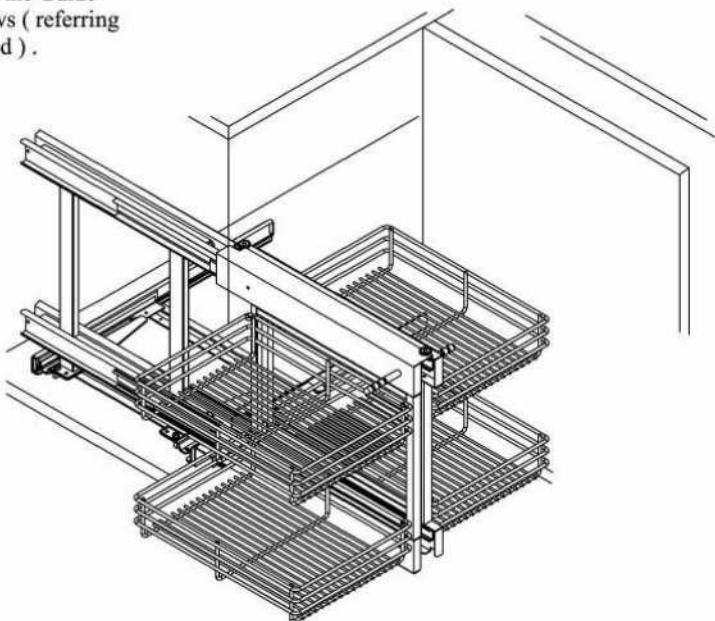


3. Loosen the 2 screws on end of the base frame. Place the Guide channel onto the Base and tighten using the 2 screws ( referring to drawing NO.3 & 4 for fine adjustments if required ).

4. Place the front and rear Baskets into position. The Optimizer is now ready for use.

# REV-A-SHELF®

*"Changing the way you think  
about cabinet organization"*



an **SefaCo.** Store  
1-877-275-9111