



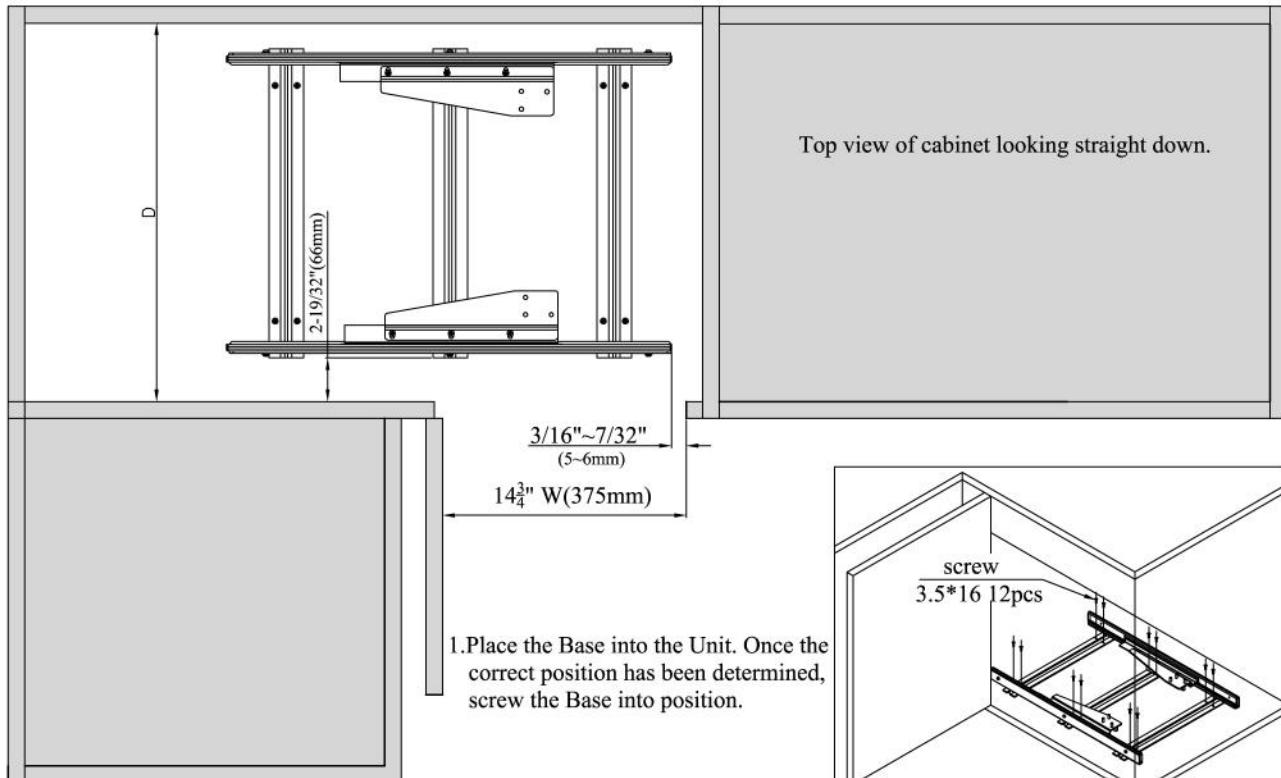
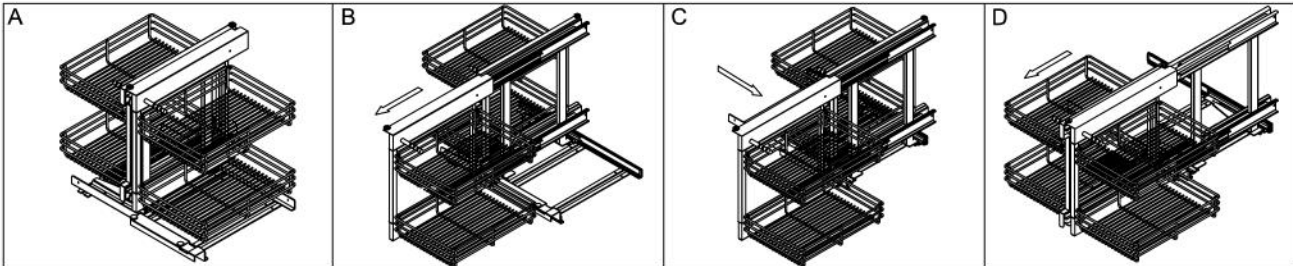
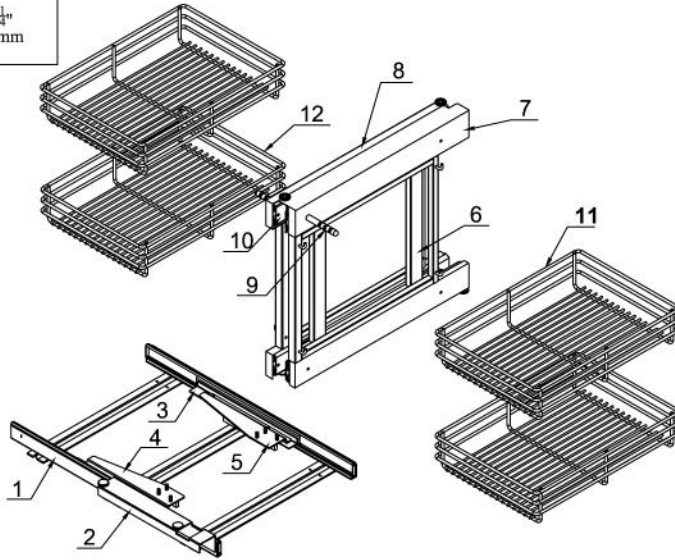
# Assembly Instructions BLIND CORNER OPTIMIZER BLIND LEFT

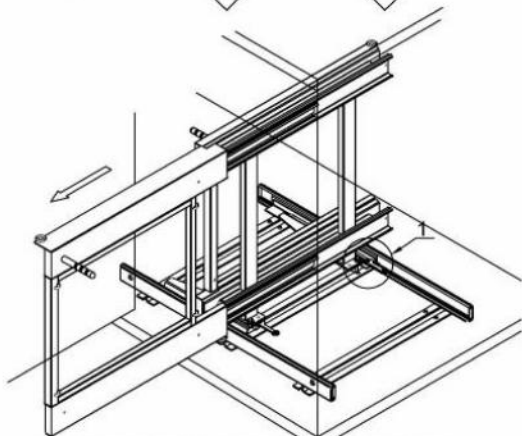
an **SefaCo.** Store  
1-877-275-9111

Size of Product W*D*H	Size of basket D*W*H	Min. Door Open	Min. Cabinet Height	Min.Net Depth of cabinet D
26 <sup>3</sup> / <sub>8</sub> " x 20 <sup>1</sup> / <sub>8</sub> " x 20 <sup>7</sup> / <sub>8</sub> " 670mm x 510mm x 530mm	16 <sup>1</sup> / <sub>2</sub> " x 11 <sup>7</sup> / <sub>8</sub> " x 3 <sup>1</sup> / <sub>2</sub> " 420mm x 300mm x 88mm (Front and Rear)	14 <sup>3</sup> / <sub>4</sub> " 375mm	21" 533mm	20 <sup>1</sup> / <sub>4</sub> " 514mm

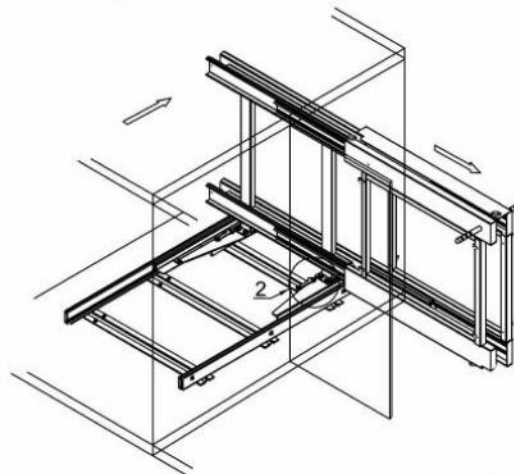
Baskets are Chrome, all others are silver powder coated.

Contents		
I	II	III
1-Base 1pc	6-Support 1pc	11-Basket 2pcs
2-Guide channel 1pc	7-Front Glide 1pc	12-Basket 2pcs
3-Slide 2pcs	8-Rear Glide 1pc	IV(Spare parts)
4-Foot 1 1pc	9-Handle 2pcs	M5*10 6pcs
5-Foot 2 1pc	10-Slide 4pcs	ST3.5*16 12pcs
		M6(Nut) 6pcs

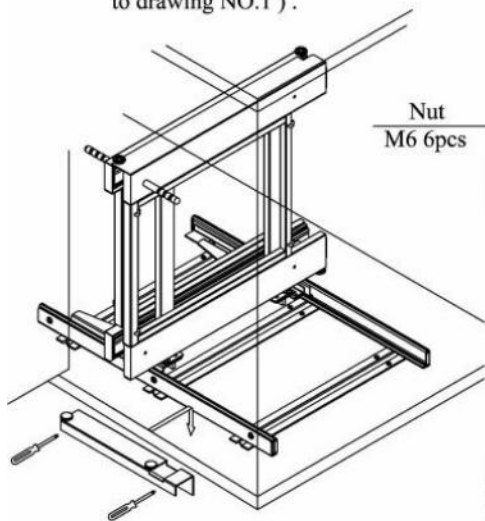




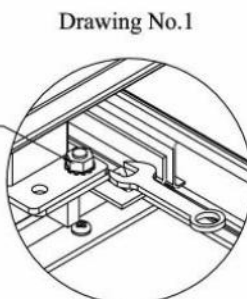
2.1. Move the slides to end of the base frame. Place the Support and Glides onto the Base and locate using 2 nuts supplied ( referring to drawing NO.1 ) .



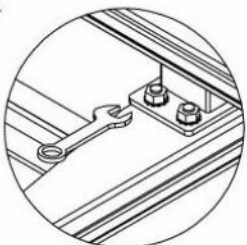
2.2. Move the slides to other end of the base frame lightly and locate using 4 nuts supplied ( referring to drawing NO.2 ) .



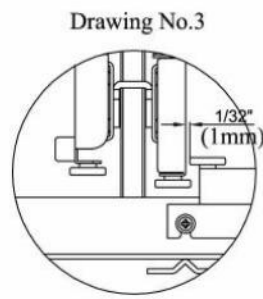
Nut  
M6 6pcs



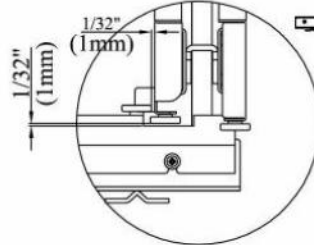
Drawing No.1



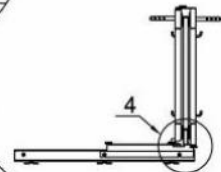
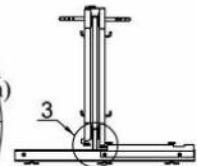
Drawing No.2



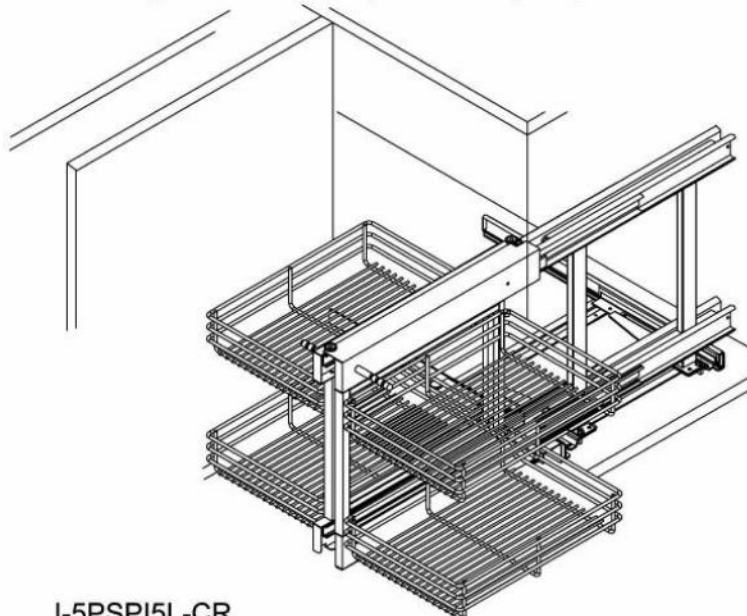
Drawing No.3



Drawing No.4



3. Loosen the 2 screws on end of the base frame. Place the Guide channel onto the Base and tighten using the 2 screws ( referring to drawing NO.3 & 4 for fine adjustments if required ) .



4. Place the front and rear Baskets into position. The Optimizer is now ready for use.



*"Changing the way you think  
about cabinet organization"*