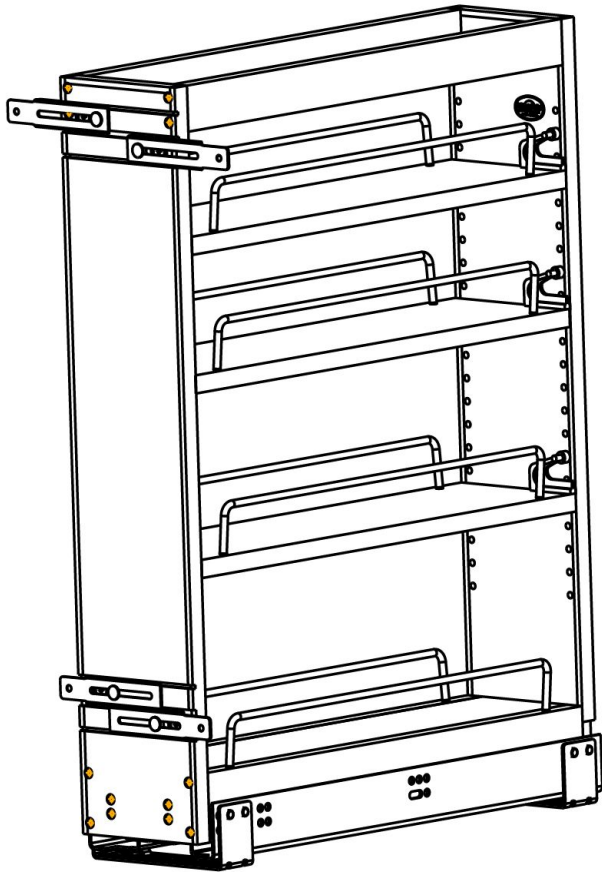


CUSTOMER DRAWING

This drawing is the property of Rev-A-Shelf (RAS) and is disclosed in confidence to the extent its subject matter is original to RAS. Any vendor receiving this drawing from RAS shall hold and use this drawing for the sole benefit of RAS and shall not disclose it to, or use or reproduce it for any third party, or perform any act adverse to the interest of RAS with respect to this drawing without the express written permission of RAS. Vendors shall not revise any physical, dimensional or performance characteristic unless authorized by Rev-A-Shelf Engineering.

REV.	DATE	BY	DESCRIPTION OF CHANGE
A	5/10/19	BKT	ECN19-026

INCH PROJECTION		BY	DATE	REV-A-SHELF, Inc.	
	DRAWN	BKT	8/17/18	SIZE	B
				DRAWING NO.	448BC05-19BL-FINAL
TOLERANCES MAT. DEC. (WOOD) .XX ±.03 [.8mm] (OTHER) .XX ±.02 [1.5mm] (ALU) .XX ±.005 [13 mm] FRACTIONS ±1/32 [.8 mm]		ANGLES	±1/2°	MATERIAL	
		FINISH		PART NO.	448BC05-19BL-FINAL
				SCALE	0.250
				SHEET OF	1 2



PART DIMENSIONS		
	MIN	MAX
WIDTH	5.85	
DEPTH	19.00	
HEIGHT	25.50	
WEIGHT		
DIAMETER		
RADIUS		
CONTAINER CAPACITY		
CONTAINER UOM		

MIN CABINET OPENING		
	FACE FRAME	FRAMELESS
WIDTH	5.25	5.85
DEPTH	20.00	20.00
HEIGHT	25.75	25.75

PRODUCT MAX WEIGHT RATING
---------------------------

SLIDE SPECIFICATIONS				
SLIDE TYPE	BLUM TANDEM	SLIDE EXTENSION	FULL	MAX WEIGHT RATING
SLIDE CLOSING	SELF/SOFT	SLIDE LENGTH	18" [457]	
SLIDE MOUNTING	SIDE	SLIDE FINISH	ZINC	110 LB DYNAMIC

CUSTOMER DRAWING

This drawing is the property of Rev-A-Shelf (RAS) and is disclosed in confidence to the extent its subject matter is original to RAS. Any vendor receiving this drawing from RAS shall hold and use this drawing for the sole benefit of RAS and shall not disclose it to, or use or reproduce it for any third party, or perform any act adverse to the interest of RAS with respect to this drawing without the express written permission of RAS. Vendors shall not revise any physical, dimensional or performance characteristic unless authorized by Rev-A-Shelf Engineering.

REV.	DATE	BY	DESCRIPTION OF CHANGE
A	5/30/19	BKT	ECN19-026

INCH [MM]	AMERICAN PROJECTION	BY	DATE	REV-A-SHELF, Inc.
		BKT	8/17/18	
DRAWN				SIZE
DRAWN				B
TOLERANCES				DRAWING NO.
MAT. DEC. (WOOD) .XX ±.03 [.8mm] (OTHER) .XX ±.02 [1.5mm] (ALL) .XXX ±.005 [1.3 mm] FRACTIONS ±1/32 [.8 mm]				448BC05-19BL-FINAL
ANGLES ±1/2°				SCALE
MATERIAL				0.250
FINISH				PART NO.
448BC05-19BL-FINAL				448BC05-19BL-FINAL
				SHEET OF
				2 2