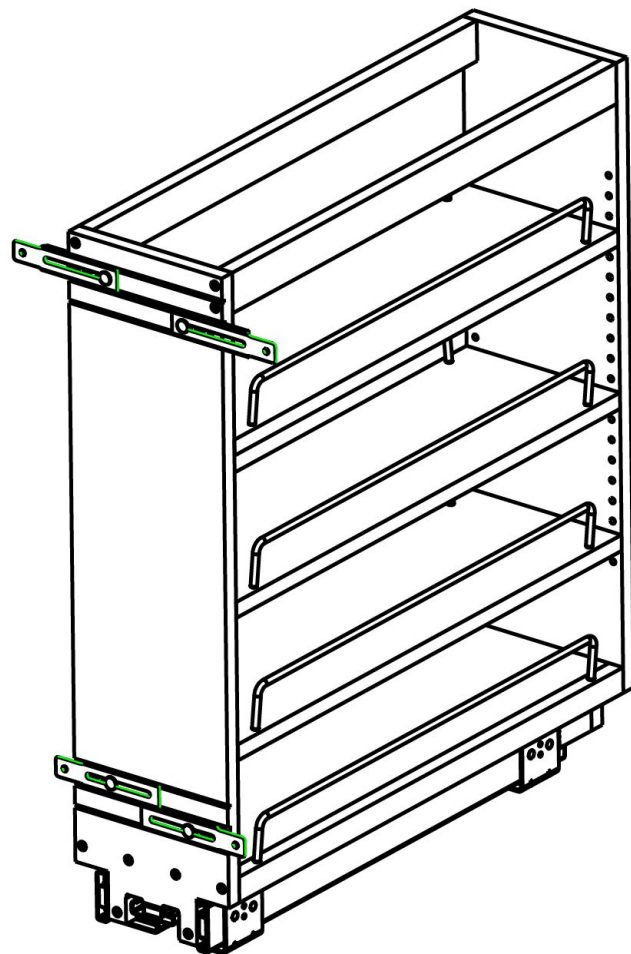


This drawing is the property of Rev-A-Shelf (RAS) and is disclosed in confidence to the extent its subject matter is original to RAS. Any vendor receiving this drawing from RAS shall hold and use this drawing for the sole benefit of RAS and shall not disclose it to, or use or reproduce it for any third party, or perform any act adverse to the interest of RAS with respect to this drawing without the express written permission of RAS. Vendor shall not revise any physical, dimensional or performance characteristic unless authorized by Rev-A-Shelf Engineering.

REV.	DATE	BY	DESCRIPTION OF CHANGE
C	12/5/07	PFC	ECN07-097
B	11/29/07	PFC	ECN07-096
A	10/19/07	HLF	ECN07-076

INCH [MM]	AMERICAN PROJECTION	BY	DATE	
		DRAWN	HLF 10/19/07	
<b>TOLERANCES</b> DECIMALS .XX ±.02 [.5mm] .XXX ±.005 [.13 mm] FRACTIONS ±1/32 [.8 mm]				<b>ANGLES</b> ±1/2°
<b>MATERIAL</b> FINISH				<b>SIZE</b> B 448BC065-CUSTOMER
<b>SCALE</b> 0.210				<b>SHEET</b> 1 OF 2

CUSTOMER DRAWING



MIN CABINET OPENING	
WIDTH	7.00"
DEPTH	22.62"
HEIGHT	25.63"

PRODUCT MAX WEIGHT RATING

SLIDE SPECIFICATIONS				
SLIDE TYPE	BALL BEARING	SLIDE EXTENSION	FULL	MAX WEIGHT RATING
SLIDE CLOSING	N/A	SLIDE LENGTH	500MM	
SLIDE MOUNTING	N/A	SLIDE FINISH	ZINC	100 LB

CUSTOMER DRAWING

This drawing is the property of Rev-A-Shelf (RAS) and is disclosed in confidence to the extent its subject matter is original to RAS. Any vendor receiving this drawing from RAS shall hold and use this drawing for the sole benefit of RAS and shall not disclose it to, or use or reproduce it for any third party, or perform any act adverse to the interest of RAS with respect to this drawing without the express written permission of RAS. Vendor shall not revise any physical, dimensional or performance characteristic unless authorized by Rev-A-Shelf Engineering.

REV.	DATE	BY	DESCRIPTION OF CHANGE
C	12/5/07	PFC	ECN07-097
B	11/29/07	PFC	ECN07-096
A	10/19/07	HLF	ECN07-076

INCH [MM]	AMERICAN PROJECTION	BY	DATE	
		DRAWN	HLF 10/19/07	
TOLERANCES DECIMALS .XX ±.02 [.5mm] .XXX ±.005 [.13 mm] FRACTIONS ±1/32 [.8 mm]				MATERIAL FINISH
ANGLES ±1/2°		DRAWING NO. 448BC065-CUSTOMER		SCALE 0.250
SIZE B		PART NO. 448BC065		SHEET OF 2 OF 2