

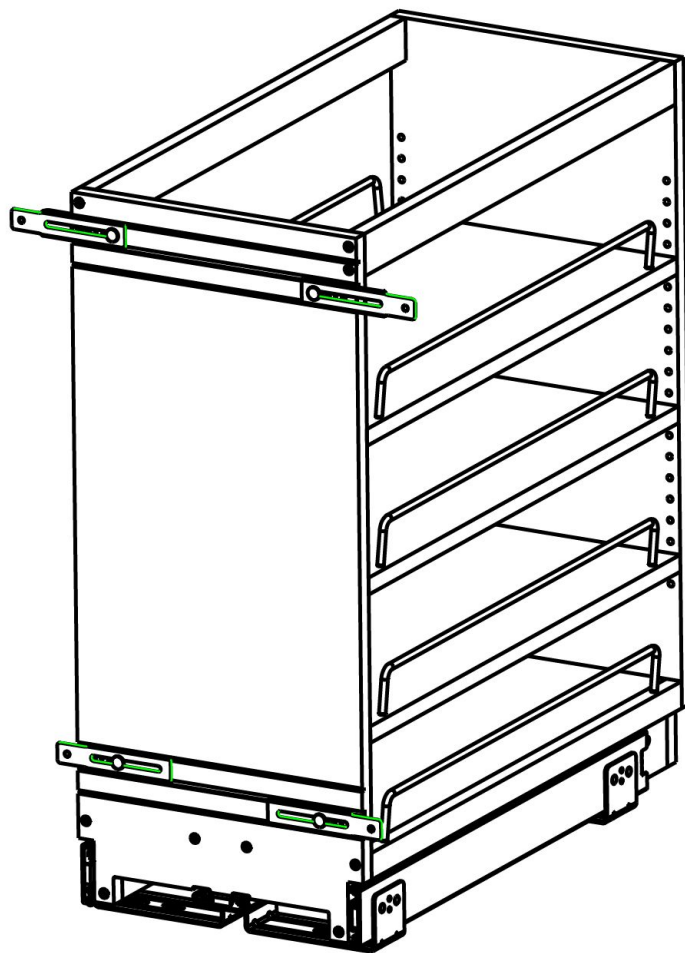
NOTES:  
1. RECOMMENDED SCREW SIZE INTO DOOR #6 X 1/2" (PROVIDED BY RAS) QTY 4

CUSTOMER DRAWING

This drawing is the property of Rev-A-Shelf (RAS) and is disclosed in confidence to the extent its subject matter is original to RAS. Any vendor receiving this drawing from RAS shall hold and use this drawing for the sole benefit of RAS and shall not disclose it to, or use or reproduce it for any third party, or perform any act adverse to the interest of RAS with respect to this drawing without the express written permission of RAS. Vendor shall not revise any physical, dimensional or performance characteristic unless authorized by Rev-A-Shelf Engineering.

REV.	DATE	BY	DESCRIPTION OF CHANGE
E	12/7/07	PFC	ECN07-098

INCH [MM]	AMERICAN PROJECTION	BY	DATE	REV-A-SHELF, Inc.
		DRAWN	HLF 10/19/07	
TOLERANCES				SIZE
DECIMALS		ANGLES		B
.XX ±.02 [5mm]		±1/2°		PULL-OUT BASE ORGANIZER
.XXX ±.005 [13 mm]		FINISH		DRAWING NO.
FRACTIONS ±1/32 [8 mm]				448BC11-CUSTOMER
				PART NO.
				448BC11
				SCALE
				0.210
				SHEET
				1 OF 2



MIN CABINET OPENING	
WIDTH	11.50"
DEPTH	22.62"
HEIGHT	25.62"

PRODUCT MAX WEIGHT RATING

SLIDE SPECIFICATIONS				
SLIDE TYPE	BALL BEARING	SLIDE EXTENSION	FULL	MAX WEIGHT RATING
SLIDE CLOSING	N/A	SLIDE LENGTH	500MM	
SLIDE MOUNTING	N/A	SLIDE FINISH	ZINC	150 LB

CUSTOMER DRAWING

This drawing is the property of Rev-A-Shelf (RAS) and is disclosed in confidence to the extent its subject matter is original to RAS. Any vendor receiving this drawing from RAS shall hold and use this drawing for the sole benefit of RAS and shall not disclose it to, or use or reproduce it for any third party, or perform any act adverse to the interest of RAS with respect to this drawing without the express written permission of RAS. Vendor shall not revise any physical, dimensional or performance characteristic unless authorized by Rev-A-Shelf Engineering.

REV.	DATE	BY	DESCRIPTION OF CHANGE
E	12/7/07	PFC	ECN07-098

INCH [MM]	AMERICAN PROJECTION	BY	DATE	DRAWN	HLF	10/19/07	SIZE	448BC11	
								B	PULL-OUT BASE ORGANIZER
TOLERANCES		MATERIAL		DRAWING NO.		SCALE		448BC11-CUSTOMER	
DECIMALS .XX ±.02 [.5mm]		FINISH		PART NO.		SHEET OF		448BC11	
ANGLES ±1/2°				448BC11		2		2	
FRACTIONS ±1/32 [.8mm]									