

REV-A-SHELF®

Innovation through Organization™



INSTALLATION INSTRUCTIONS

DOOR MOUNT CADDY

TOOLS REQUIRED:



ESTIMATED ASSEMBLY TIME:

5 MIN

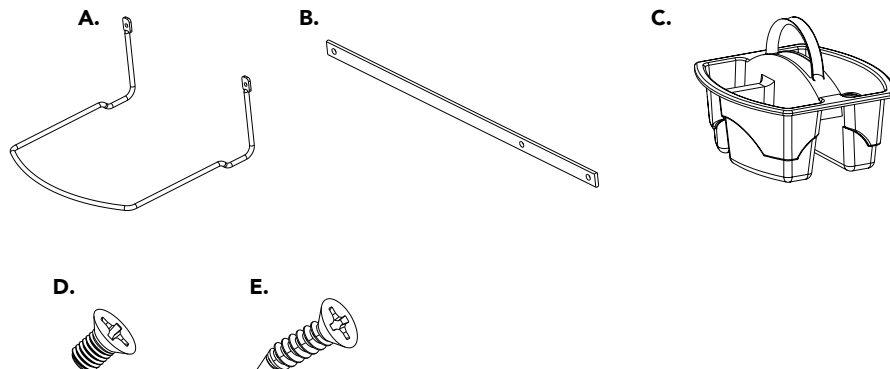
CARE AND MAINTENANCE:

Clean with a damp cloth and wipe parts dry.



PARTS LIST

	Description	QTY
A	Wire Frame	1
B	Bar	1
C	Basket	1
D	M5 x 8mm Flat Head Machine Screw	1
E	#8 x 5/8" Flat Head Screws	2



INSTALLING INTO SOLID DOOR OR INTO THICK UPPER SECTION OF PANEL DOOR:

STEP 1

Decide the placement of the wire frame to the door and secure with (2) #8 x 5/8" flat head screws making sure it is level (See Figure A).

Note: make sure that wire frame will not hit adjacent door or cabinet stile when closing before securing to door. Frame may need to be installed closer to the inside of the door for proper clearance.

STEP 2

Insert caddy onto the frame (See Figure B).

Note: caddy can also be installed with large compartment facing front (turned 180°).

INSTALLING ON 5 PANEL DOOR:

STEP 1

Secure one side of the wire frame to the bar with provided machine screw (See Figure C).

Note: frame will need to be installed closer to the hinge side of the door. Right hand door install shown. For left hand, rotate bar and install to left side of frame.

STEP 2

Decide the placement the wire frame to the door and secure with (2) #8 x 5/8" flat head screws making sure it is level (See Figure D).

Note: make sure that wire/bar will not hit adjacent door or cabinet stile when closing before securing to door. Frame may need to be installed closer to the inside of the door for proper clearance.

STEP 3

Insert the caddy onto the wire frame as shown (See Figure E).

Note: caddy can also be installed with large compartment facing front (turned 180°).

FIG. A

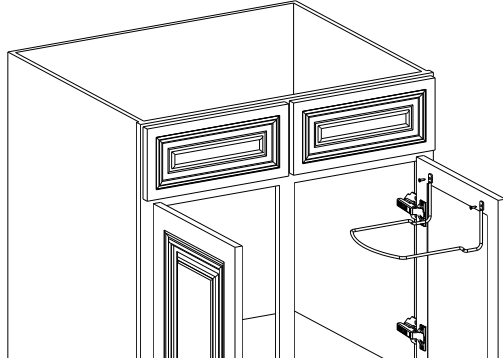


FIG. B

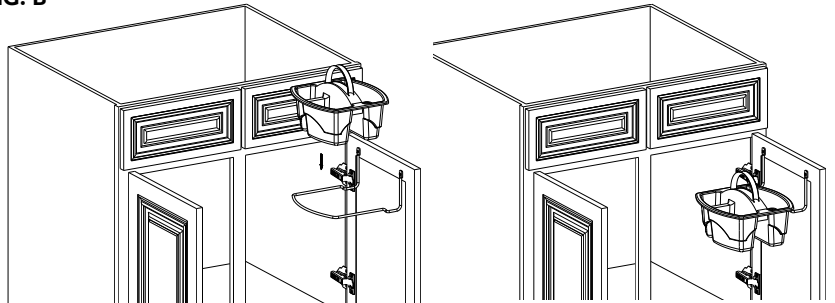


FIG. C

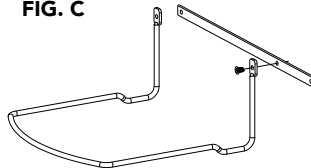


FIG. D

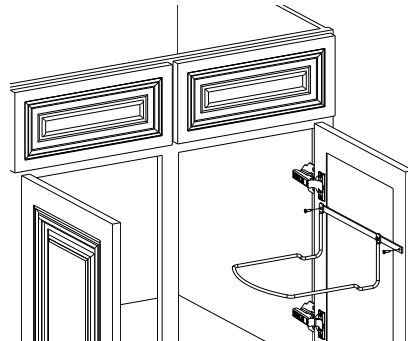


FIG. E

