

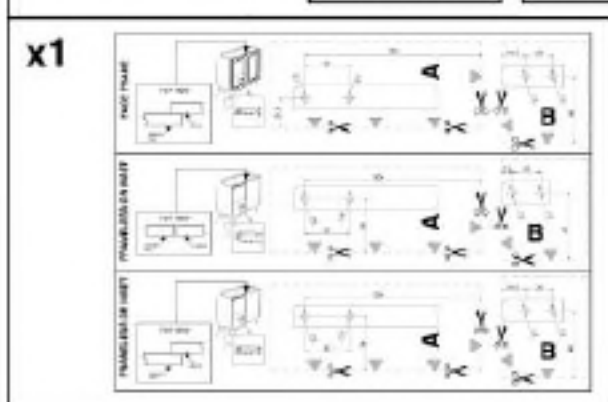
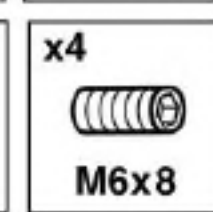
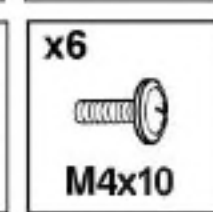
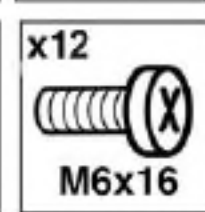
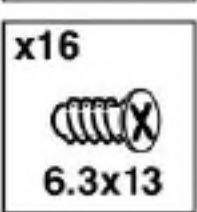
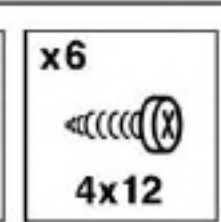
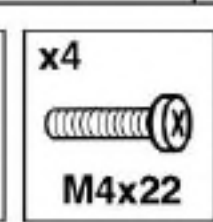
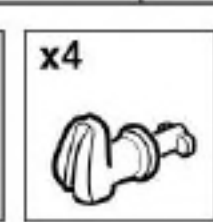
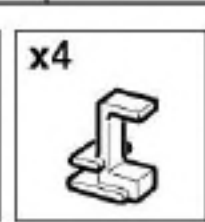
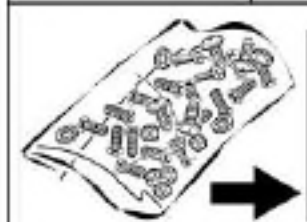
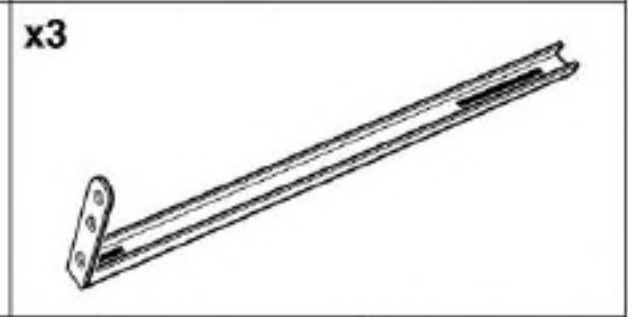
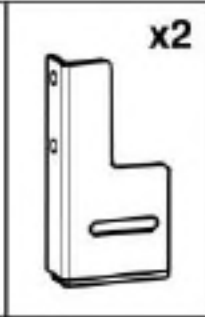
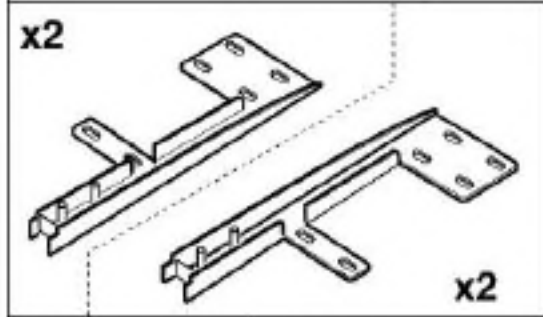
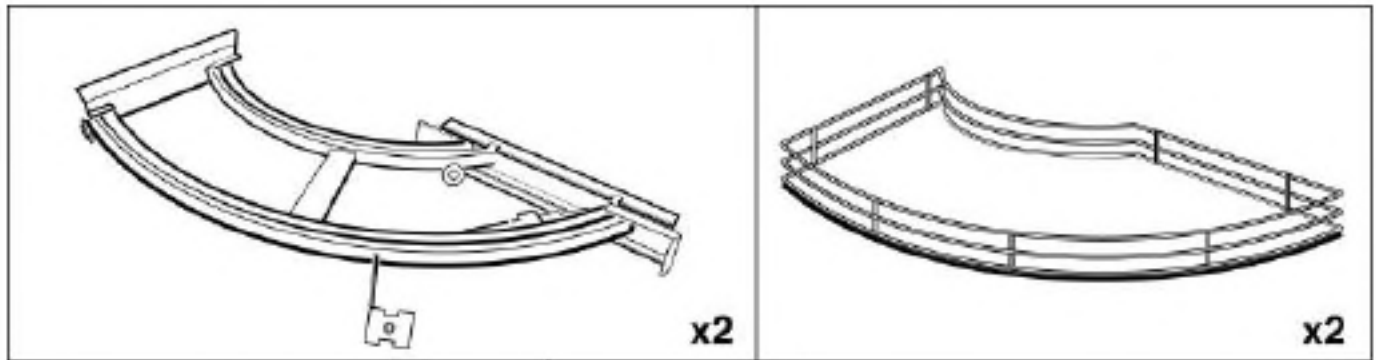


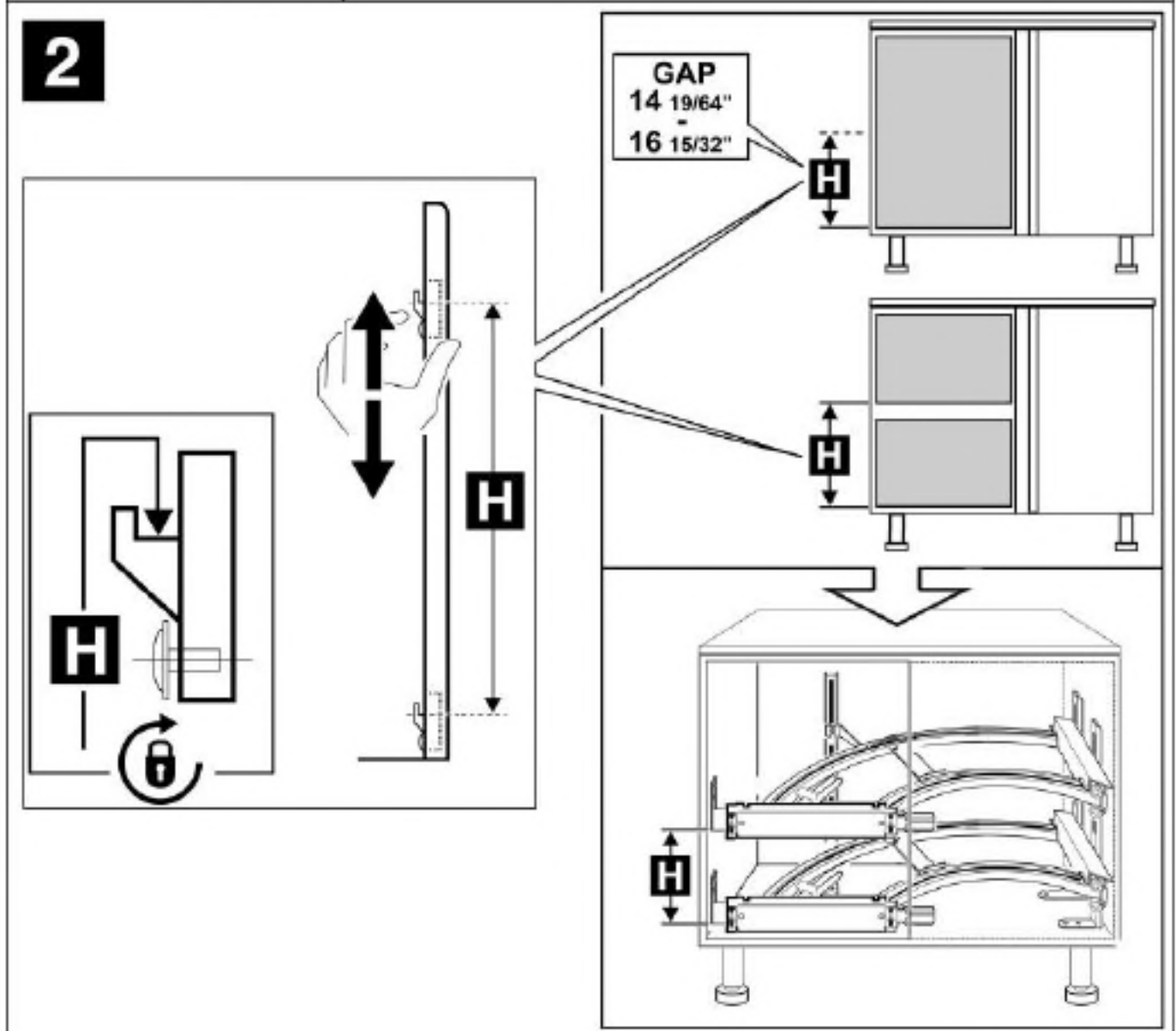
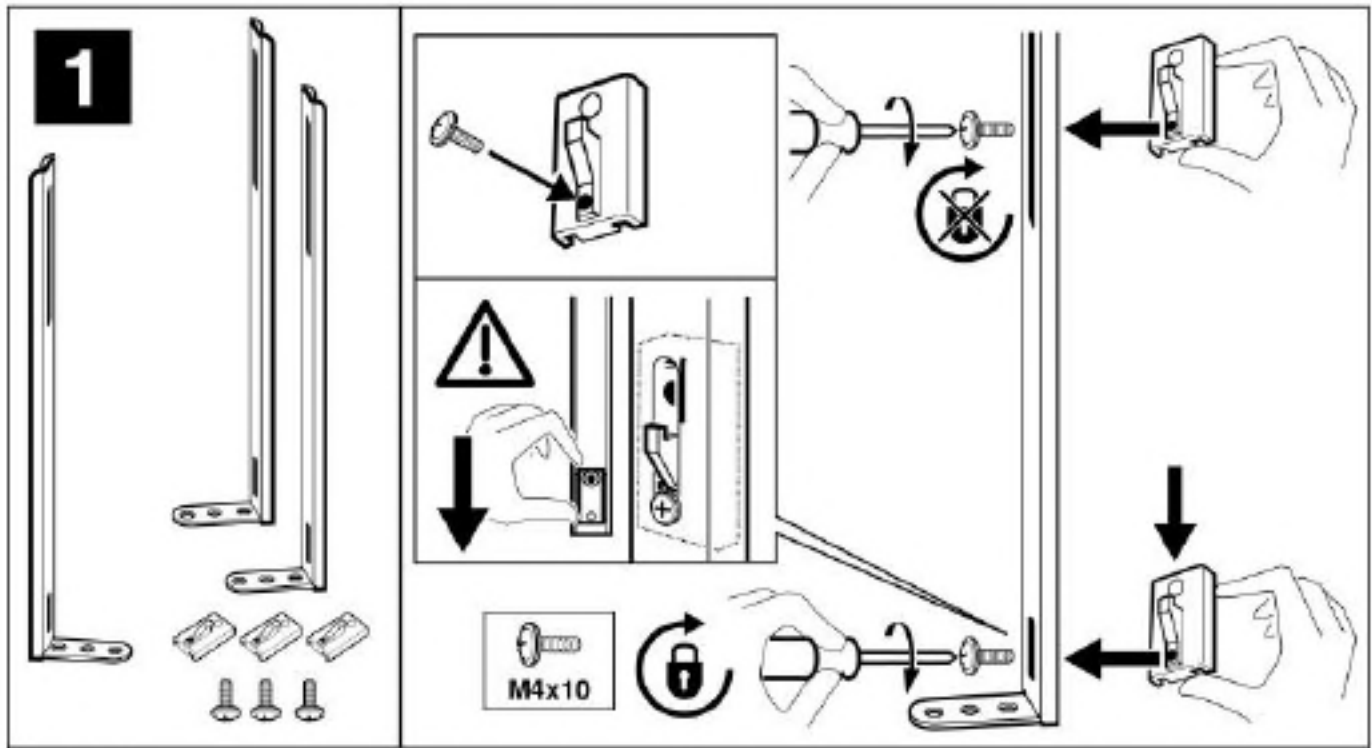
January, 2012

A301STR0423

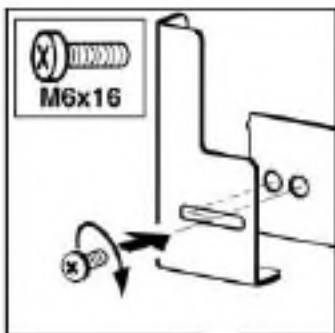


RED-A-SHELF



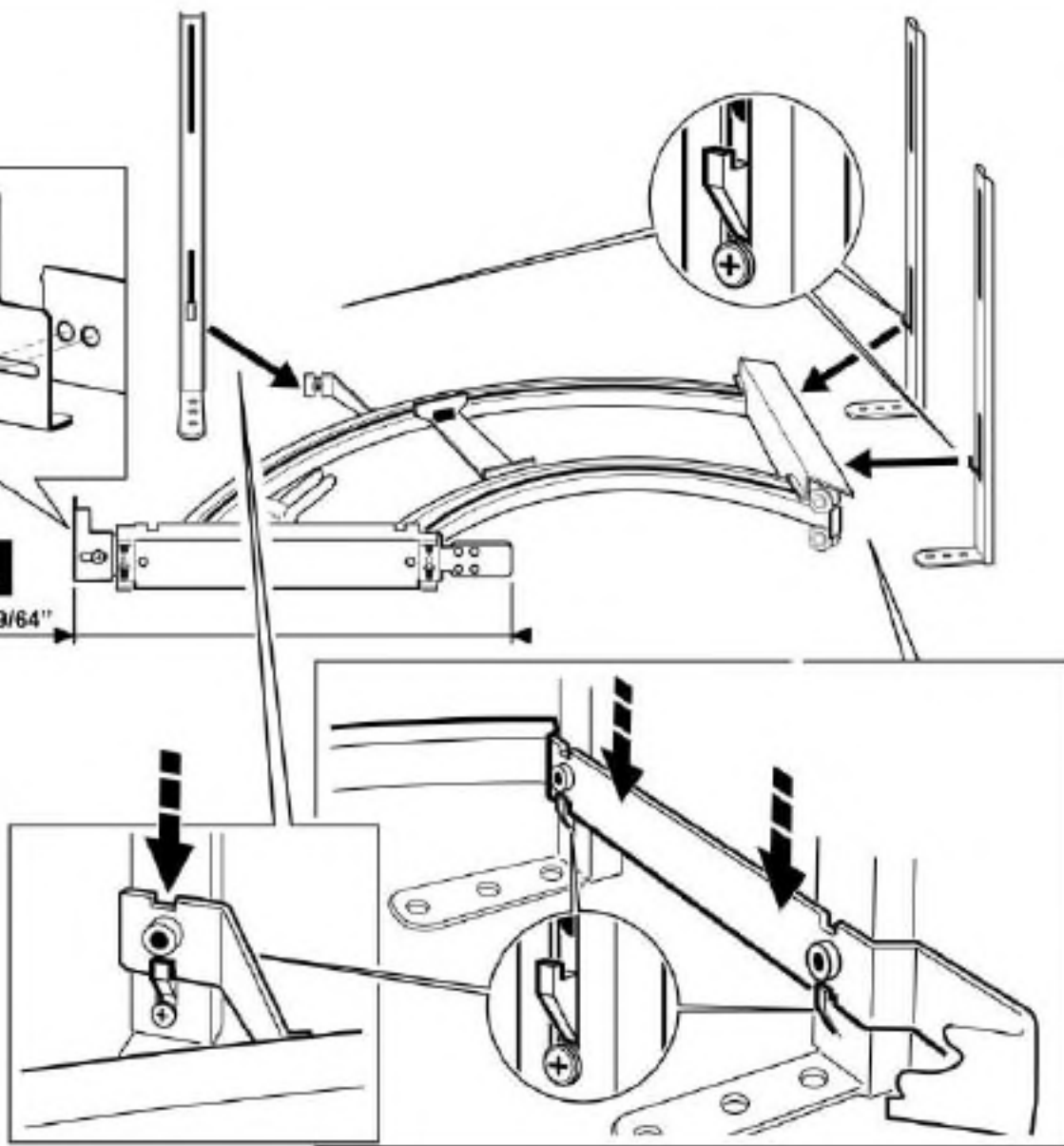


3



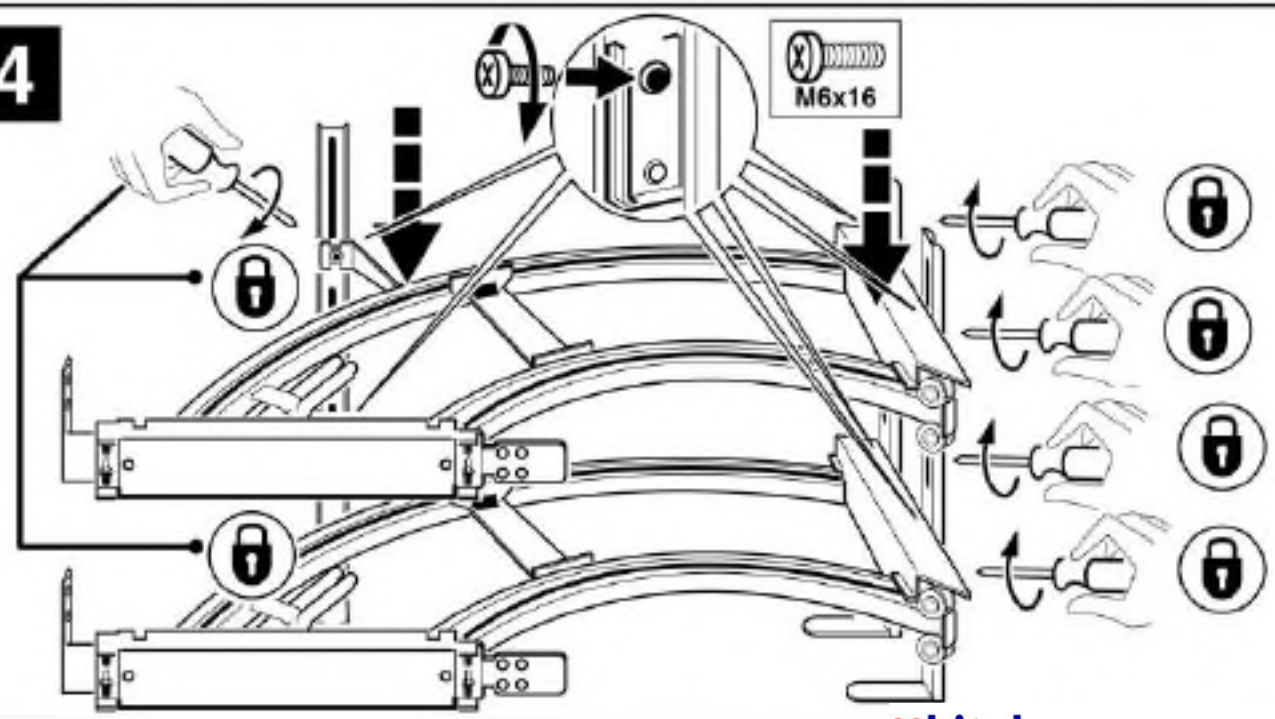
GAP **L**

21 1/8" - 22 9/64"



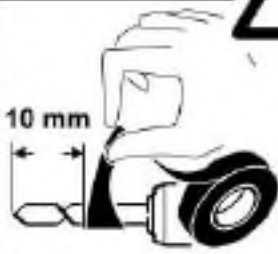
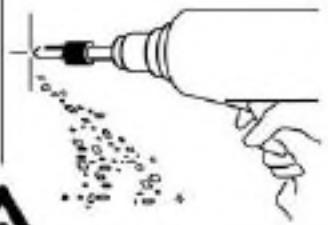
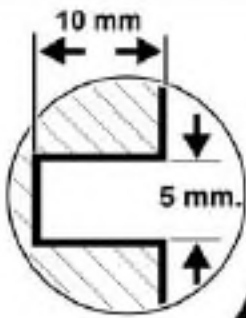
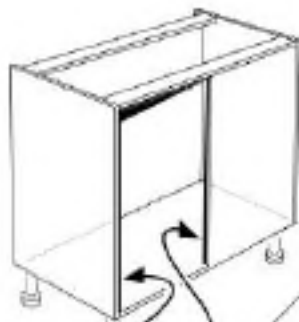
4

M6x16



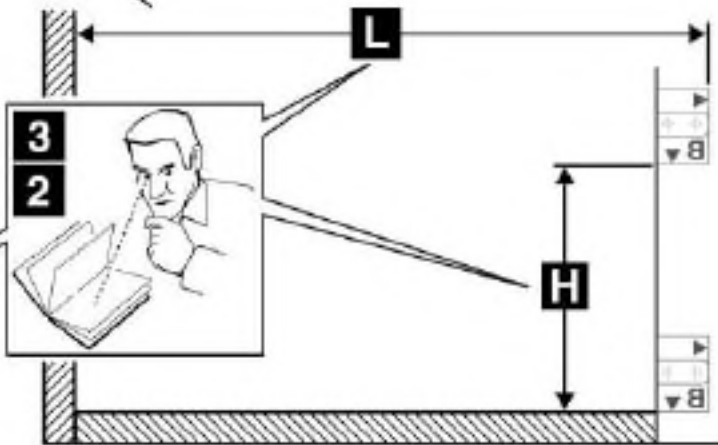
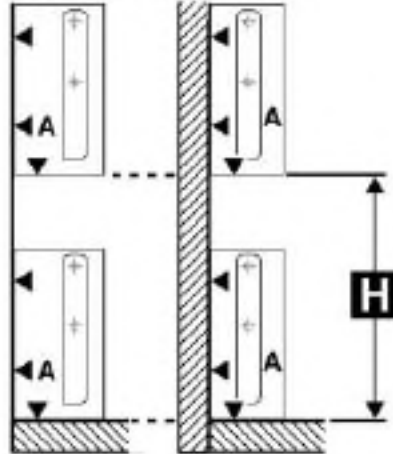


5

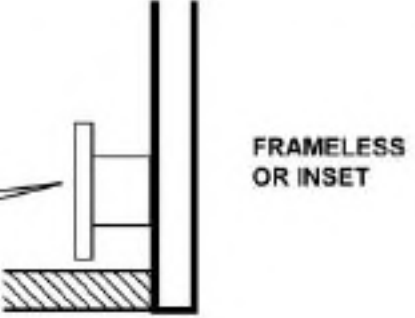
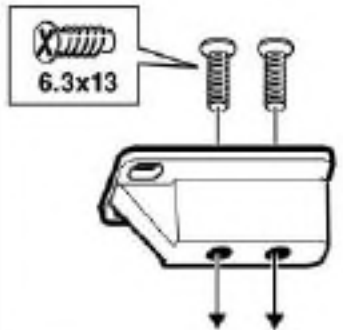
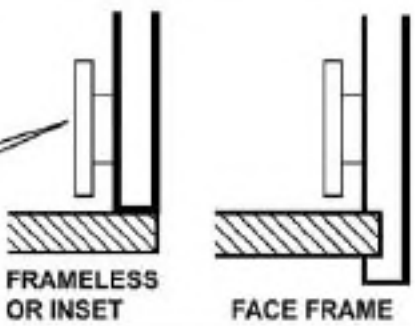
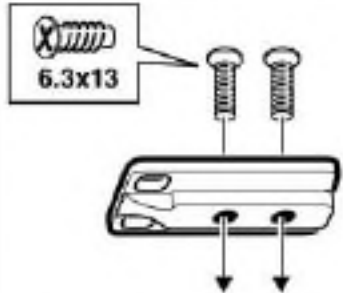
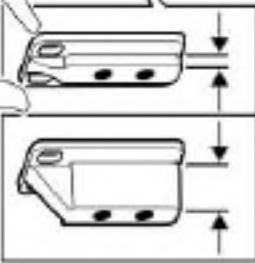
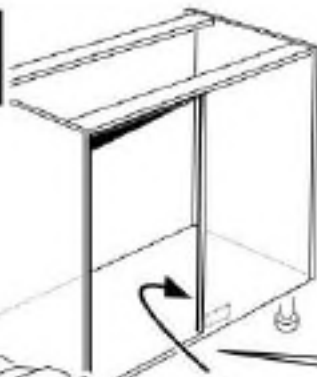


FRAMELESS OR INSET

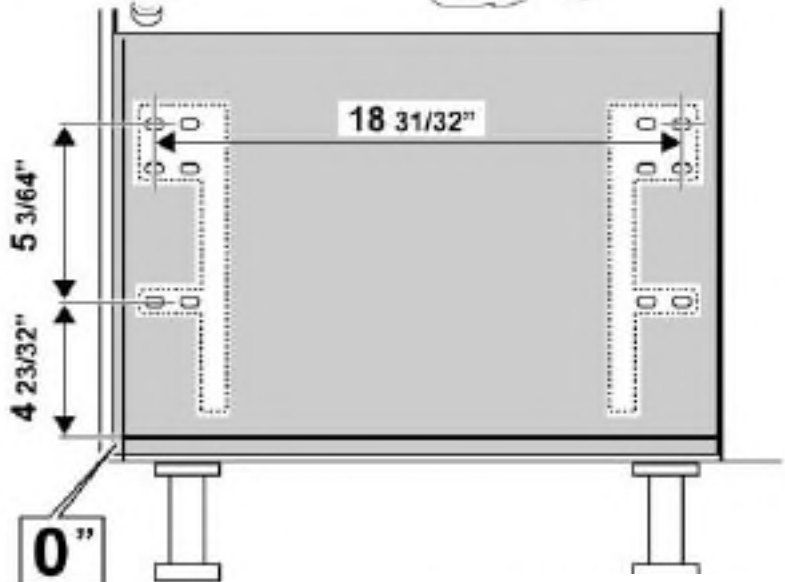
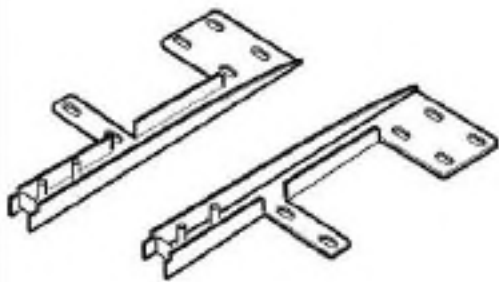
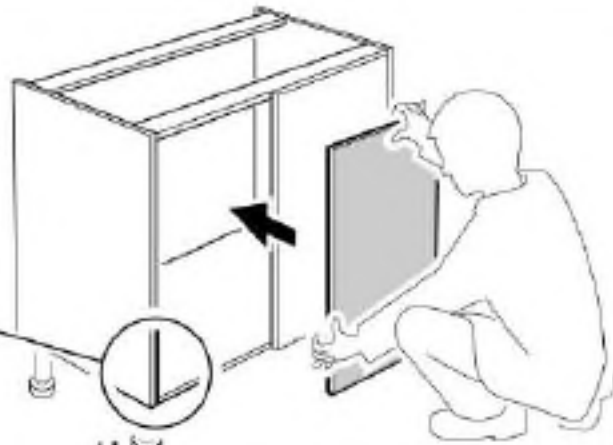
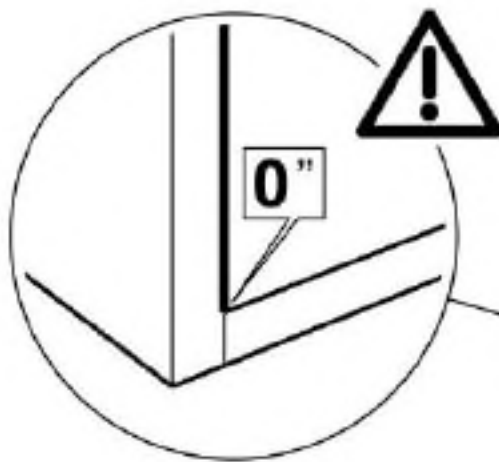
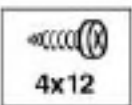
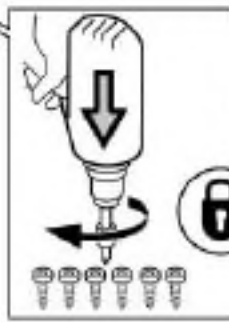
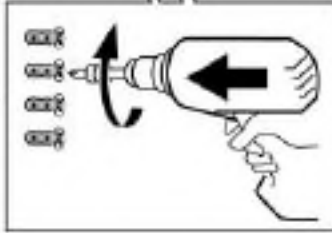
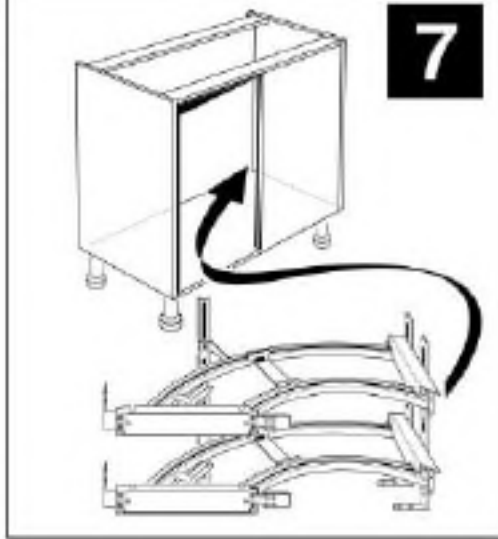
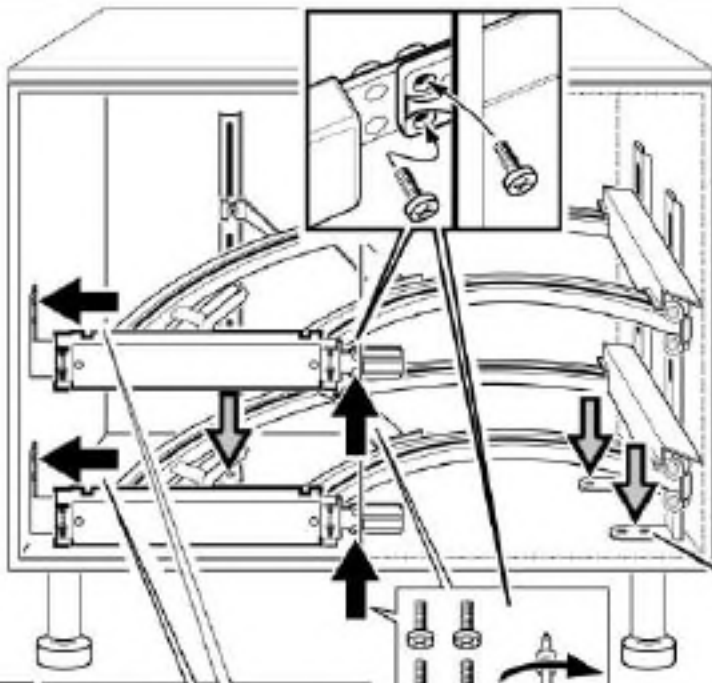
FACE FRAME



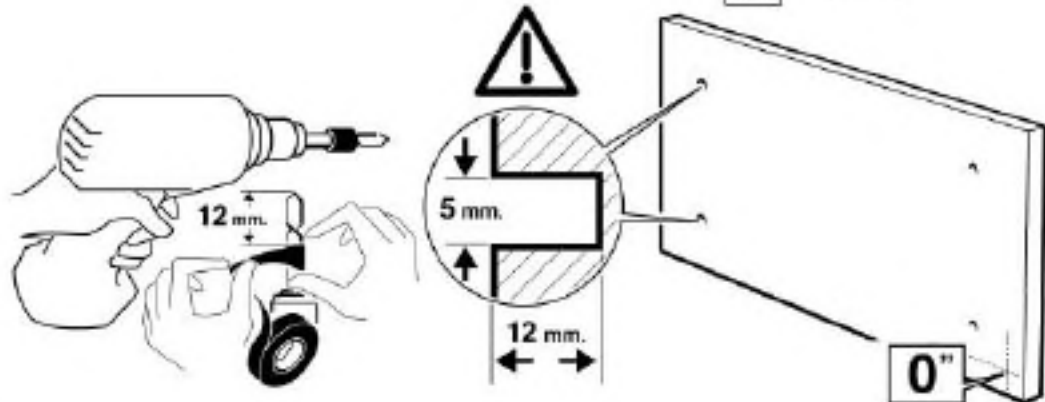
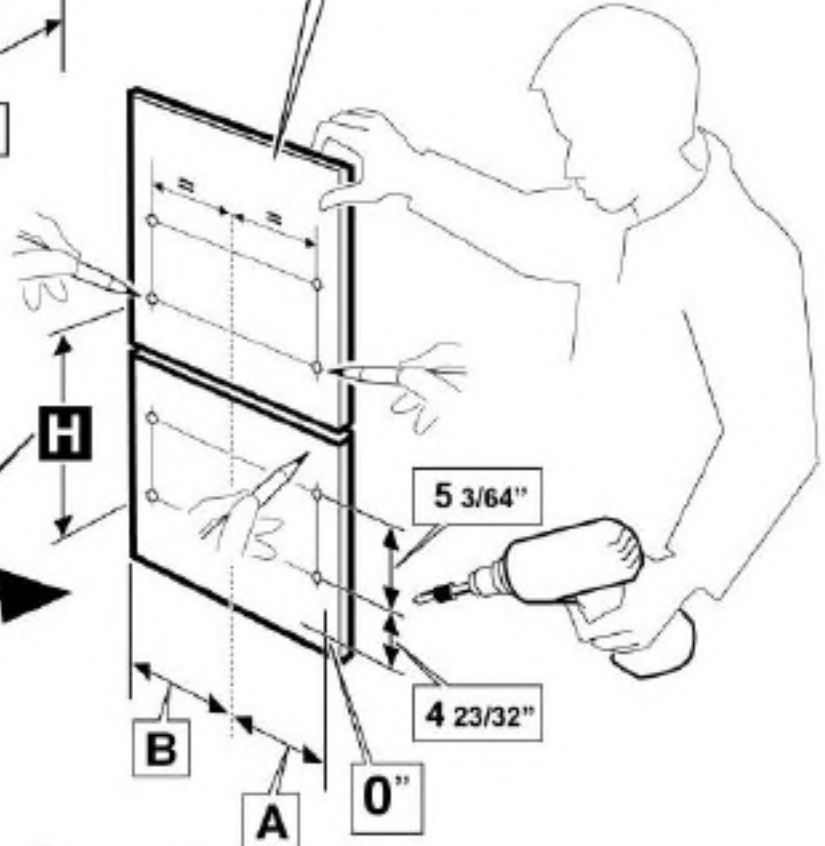
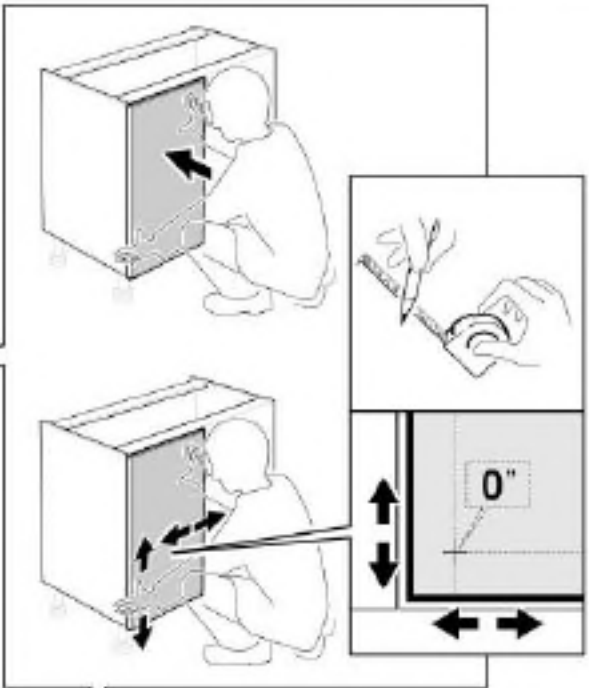
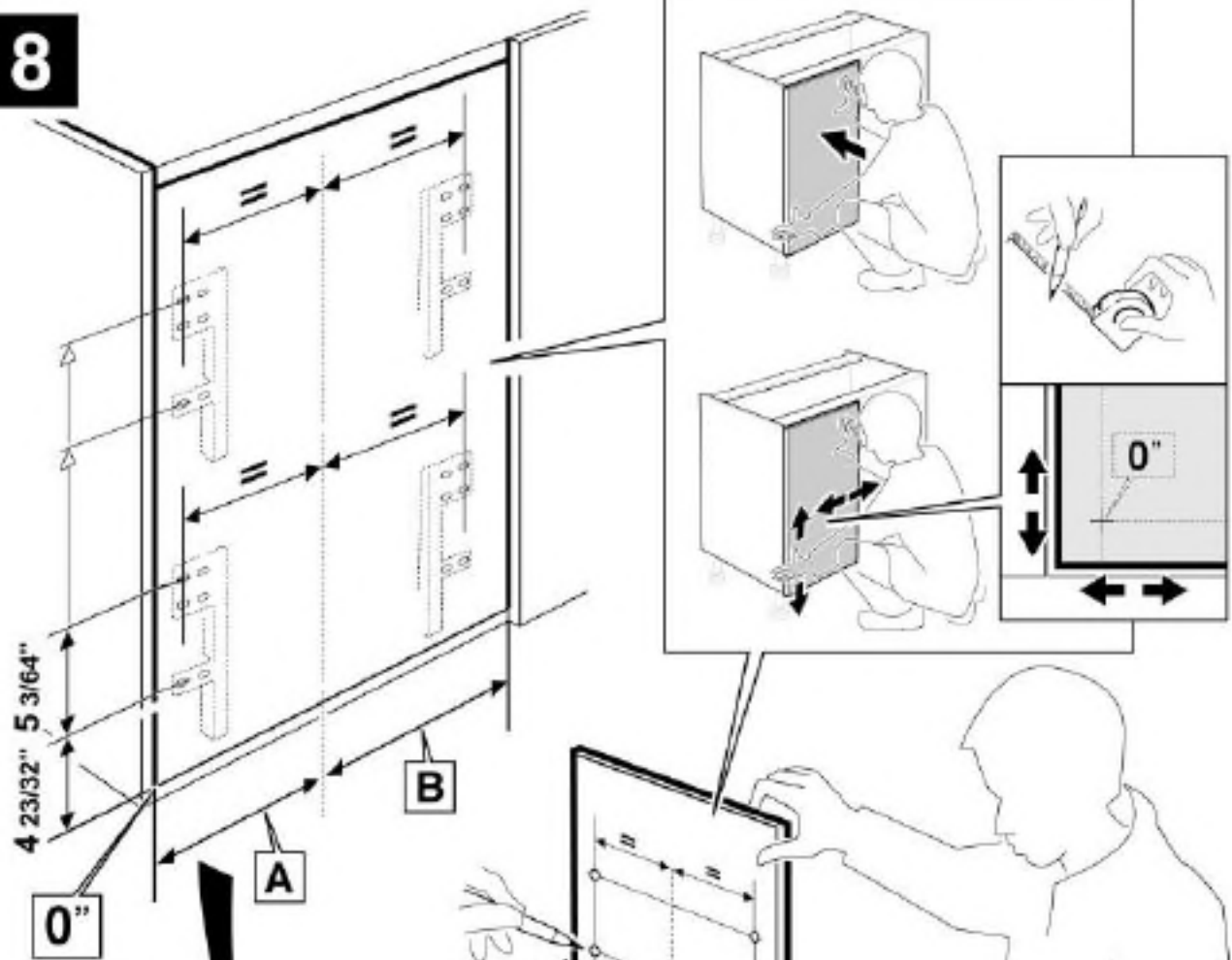
6



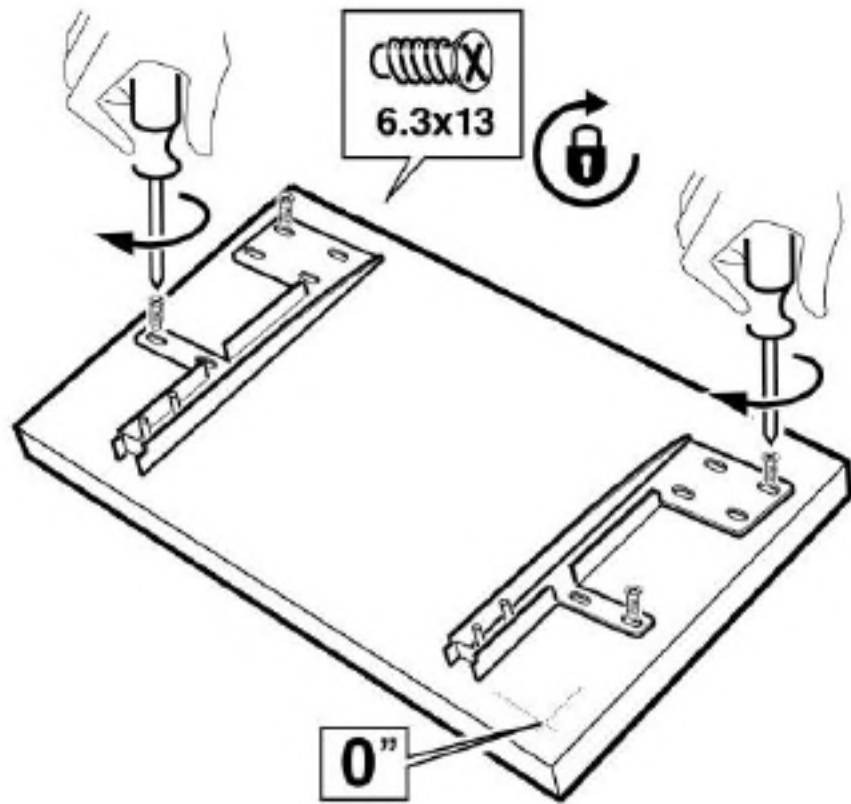
7



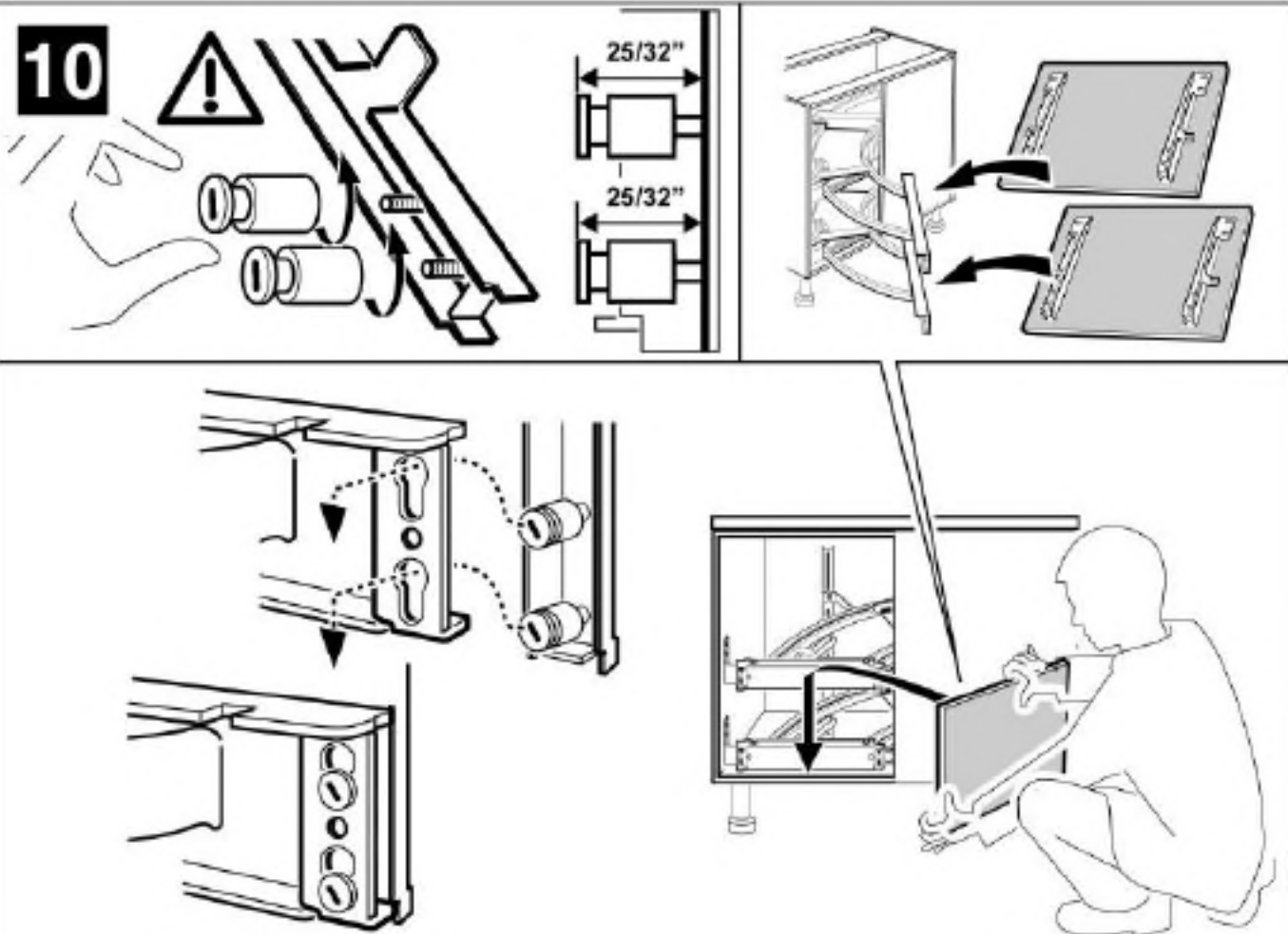
8



9

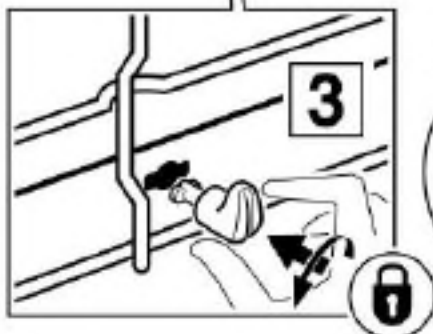
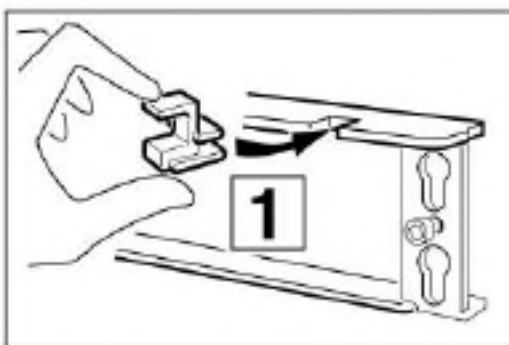
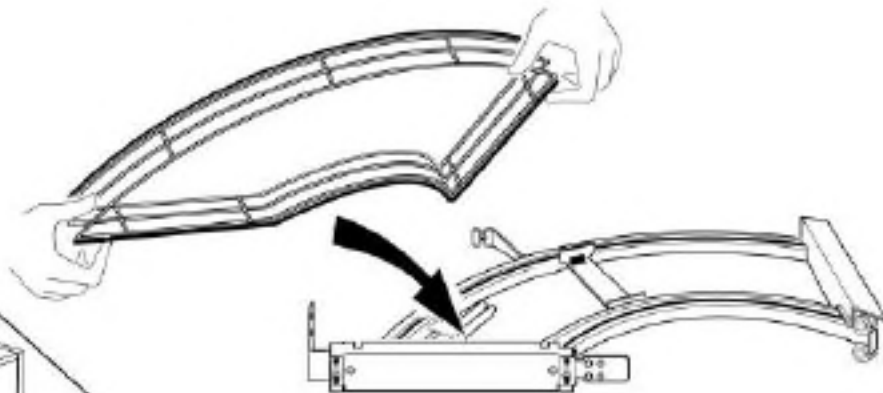
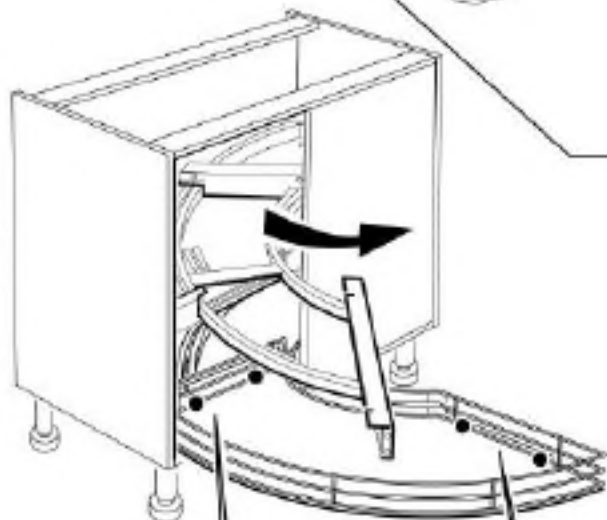


10

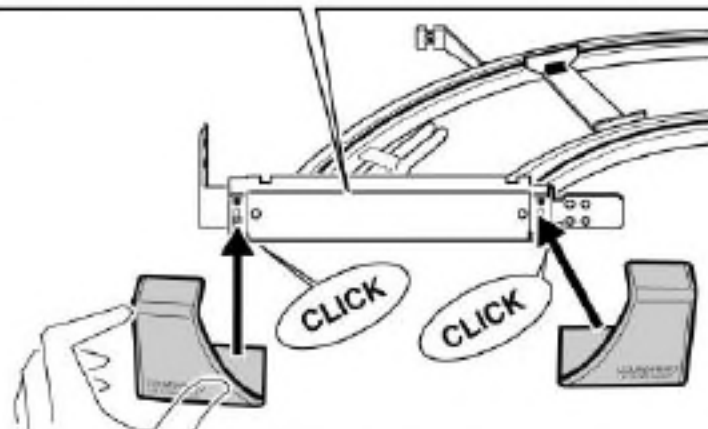
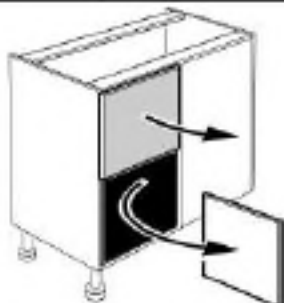
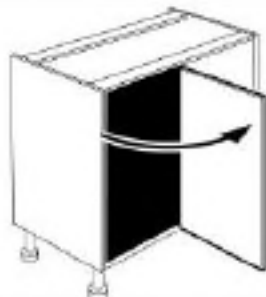




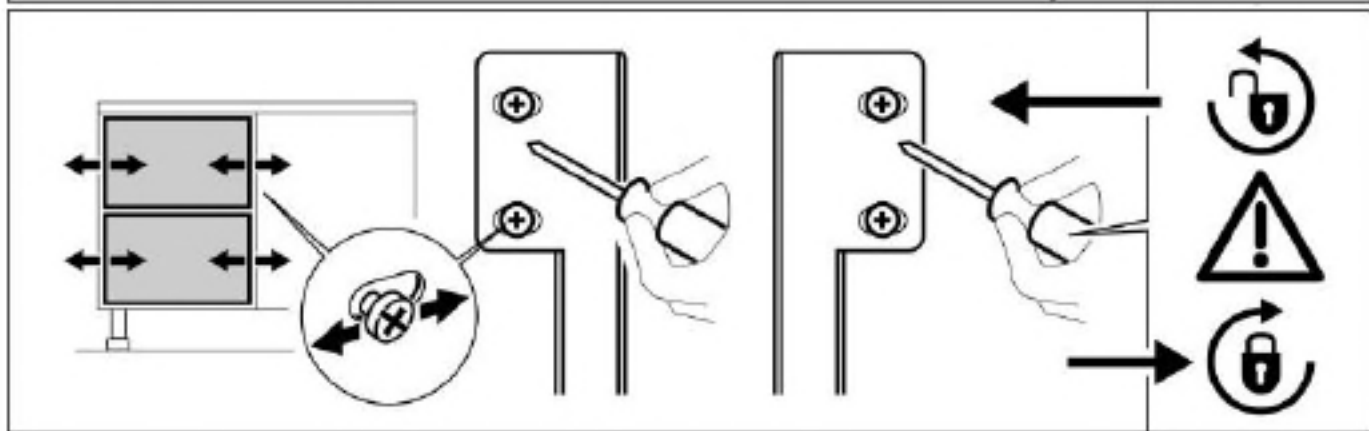
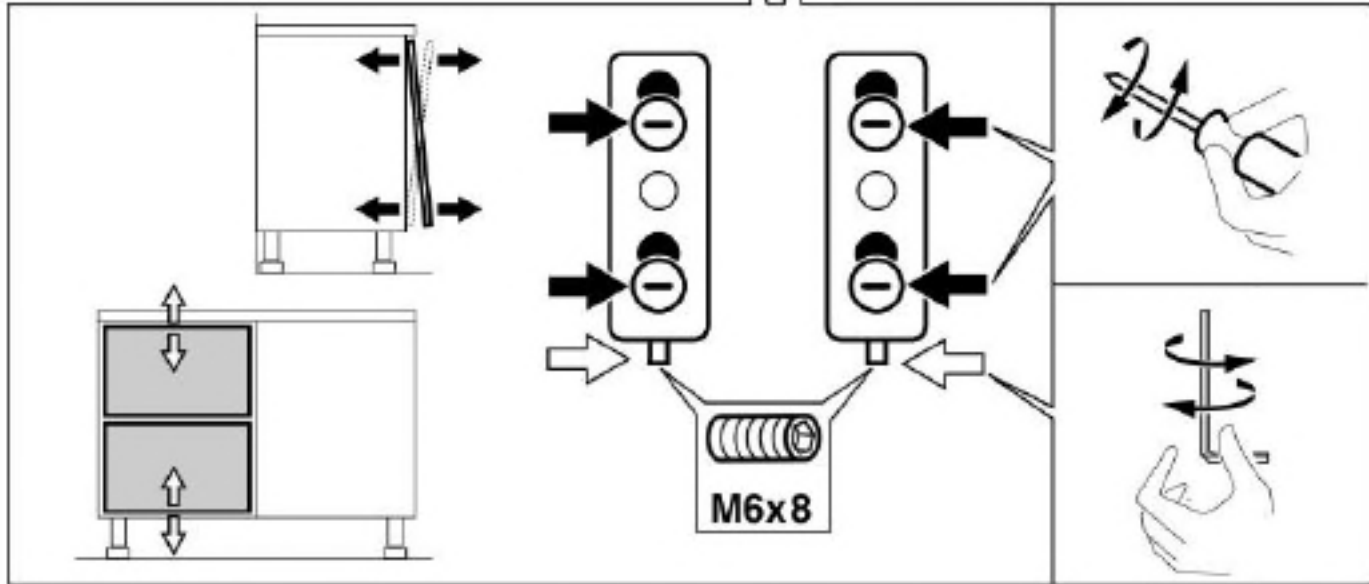
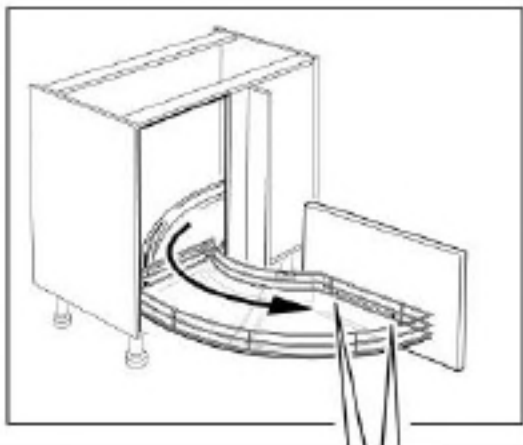
11



12



**13**



**14**

