

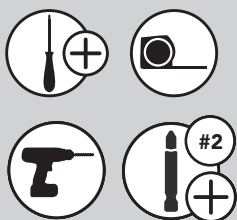
REV-A-SHELF®



INSTALLATION INSTRUCTIONS

TWO-TIER PULL-OUT BASKET

TOOLS REQUIRED:



ESTIMATED ASSEMBLY TIME:

20 MIN

CARE AND MAINTENANCE:

Clean with a damp cloth and wipe parts dry.

WATCH TUTORIALS OF OUR PRODUCTS BEING INSTALLED

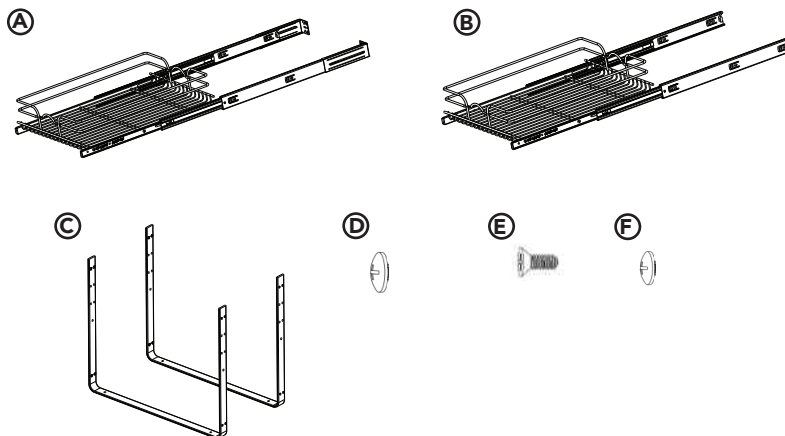


WWW.REV-A-SHELF.COM/VIDEOS



PARTS LIST

No.	Description	Qty.
A	Top Basket	1
B	Bottom Basket	1
C	U-Shaped Support Brackets	2
D	3/4" Wood Screws	4
E	Machine Screws	16
F	1/2" Wood Screws	5



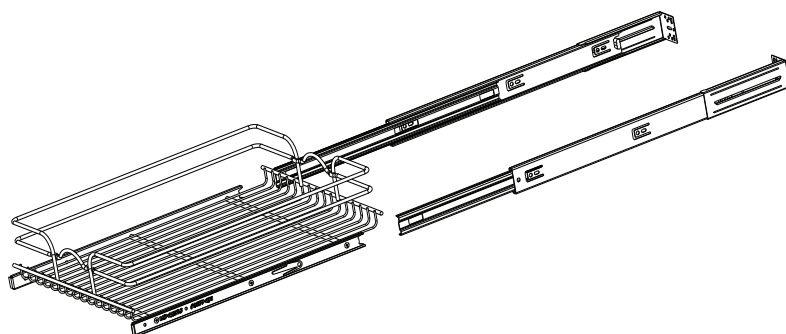
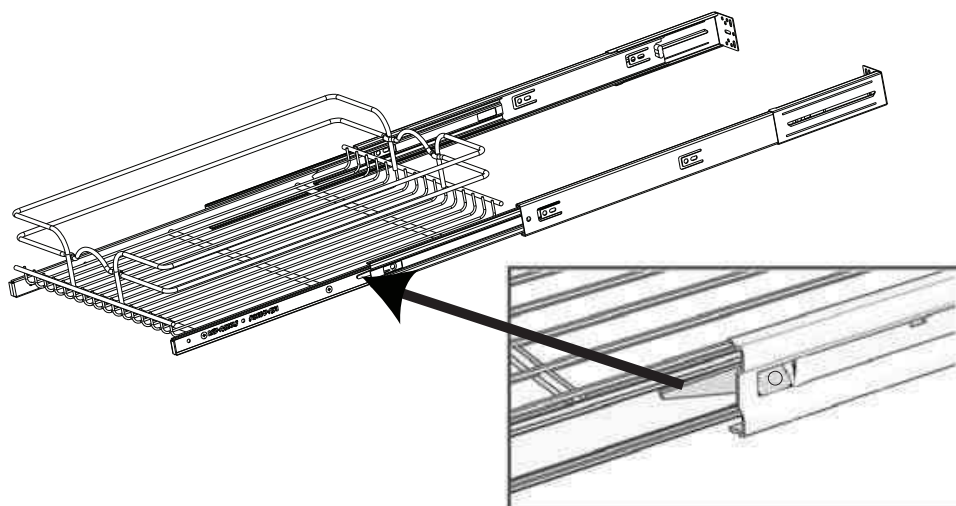
Note 1: Be sure to measure cabinet opening and basket width to make sure basket will clearly pull out of the cabinet without interference.

Note 2: All cabinets are built and constructed differently, some have a built-in shelf that is not easily removeable. This organizer can still be installed with the shelf in place, but note some taller items could hit the shelf when opening and closing.

STEP 1

Begin by removing the slides from the (2) baskets by pressing the black release triggers on both sides of the basket (See Figure A).

FIG. A



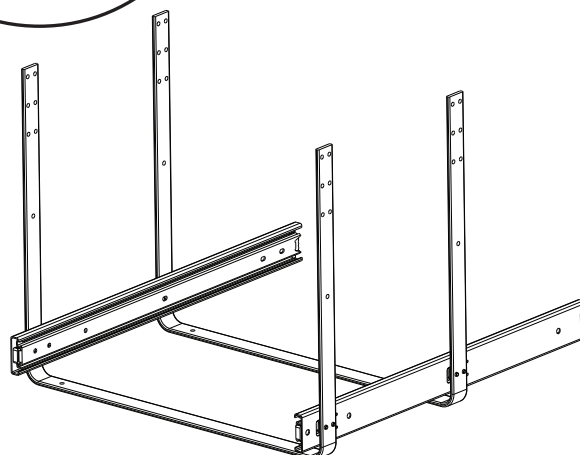
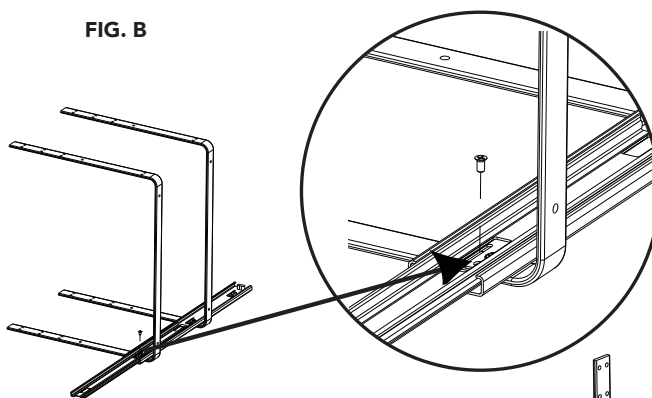
STEP 2

Attach the pair of bottom basket slides to the bottom hole position of the U-shaped support bracket using (8) of the provided machine screws (See Figure B).

Note: Start with the circular hole first and then proceed to the slotted hole next.



FIG. B



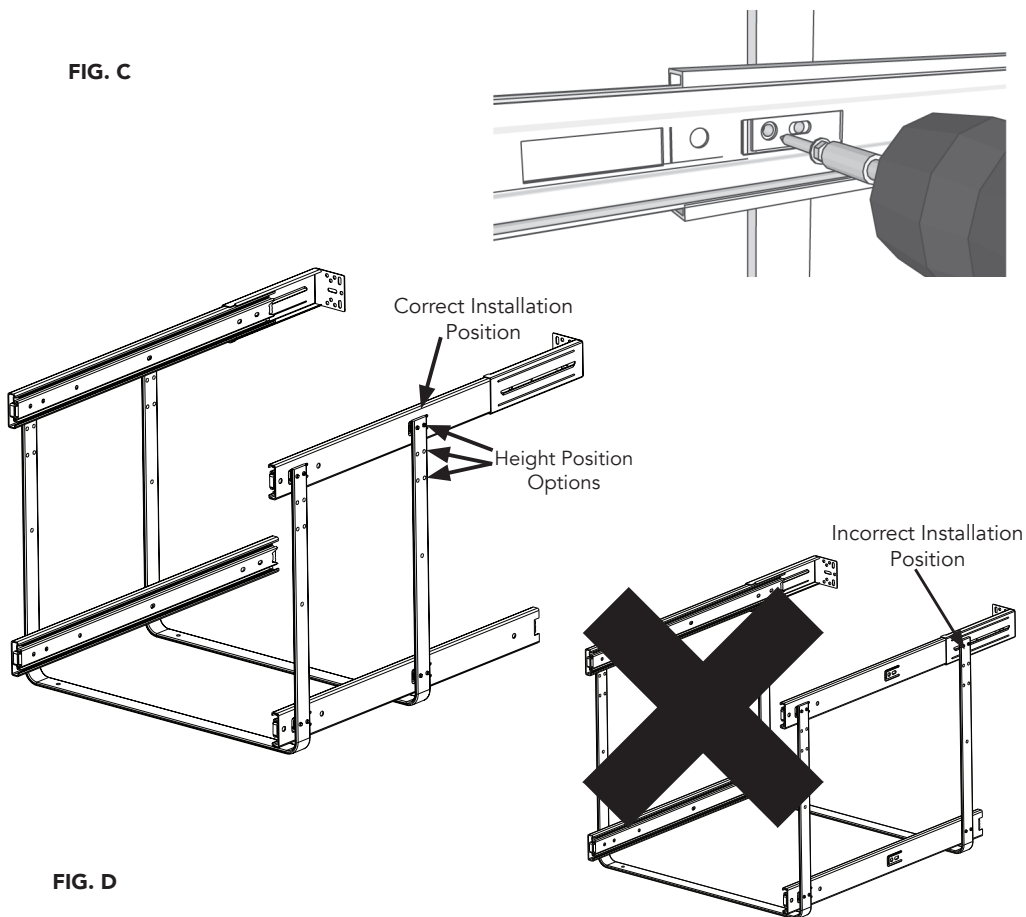
STEP 3

Attach the pair of top basket slides to one of the (3) height options on the U-shaped support bracket using (8) of the provided machine screws (See Figure C).

Note: Ensure the correct installation position is being used as shown in Figure C.



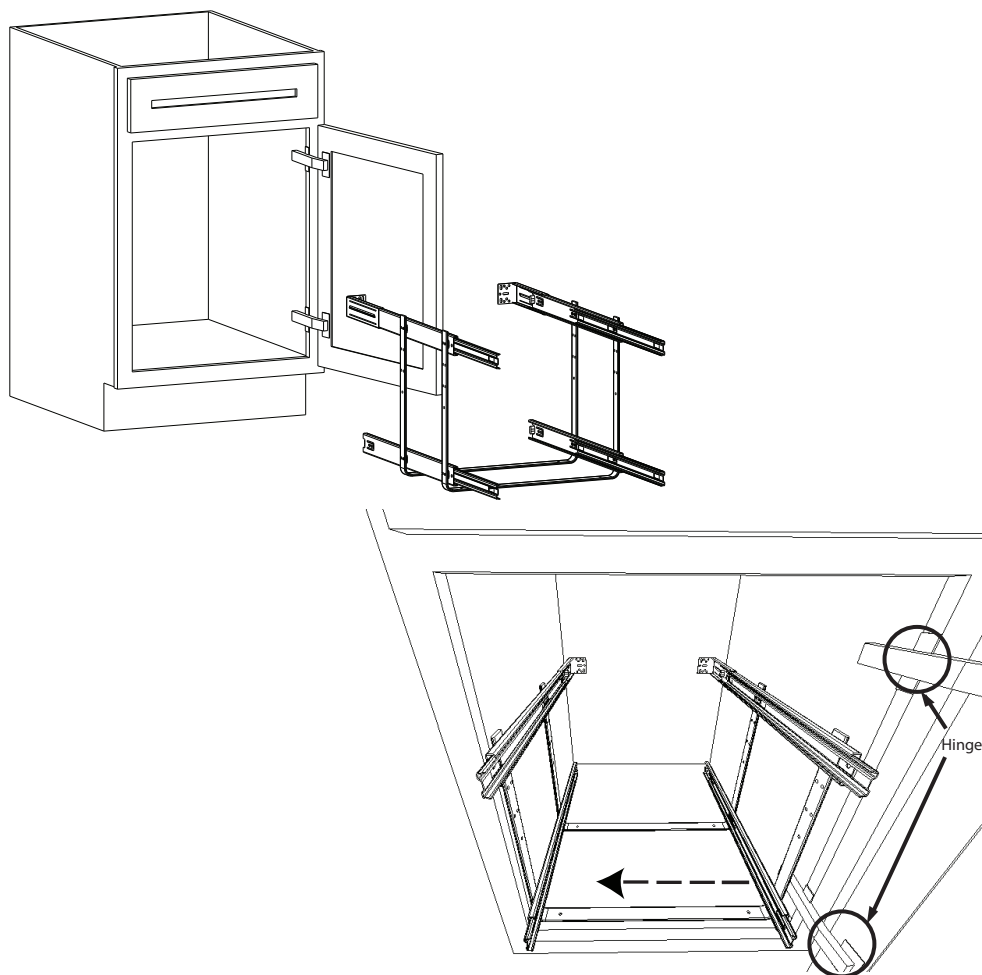
FIG. C



STEP 4

Now that all (4) slides are attached to the support bracket, carefully slide the entire unit into your cabinet and move unit to the opposite side of your cabinet hinges to prevent interference (See Figure D).

FIG. D



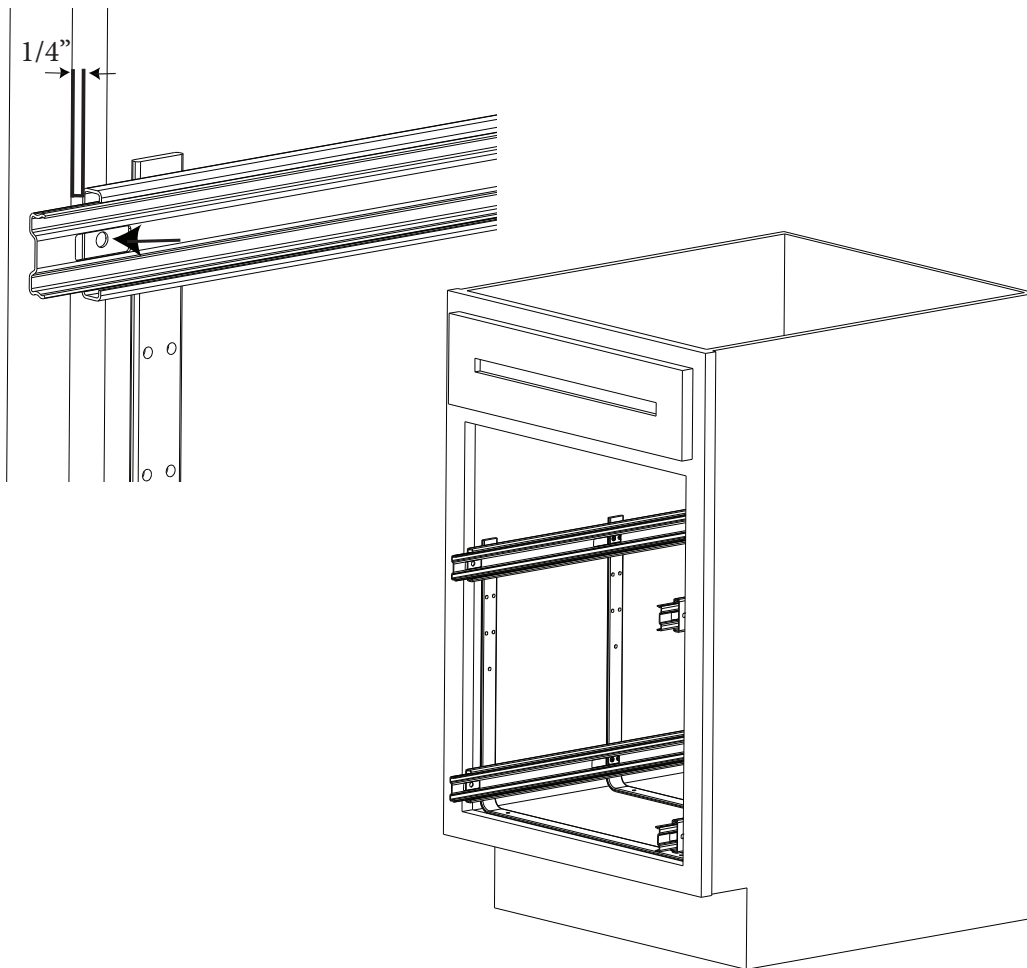
STEP 5

Using the provided 1/2" wood screw, attach slide to face frame of cabinet while making sure that the front of the slide is 1/4" back from the opening (See Figure E).

Note: If installing into a frameless application you can simply use the same 1/2" screw and install into the side wall of the cabinet.



FIG. E

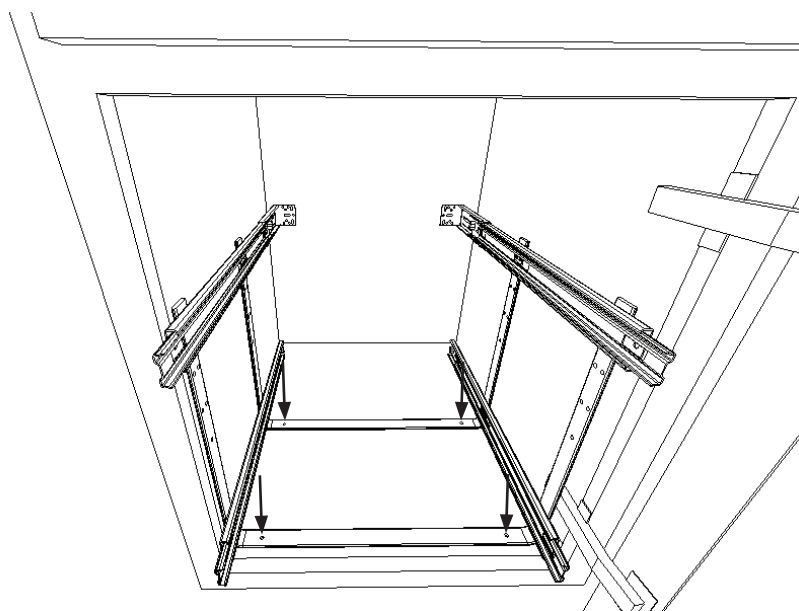


STEP 6

Use the (4) 3/4" wood screws to attach U-shaped unit to the floor of the cabinet. (See Figure F).



FIG. F

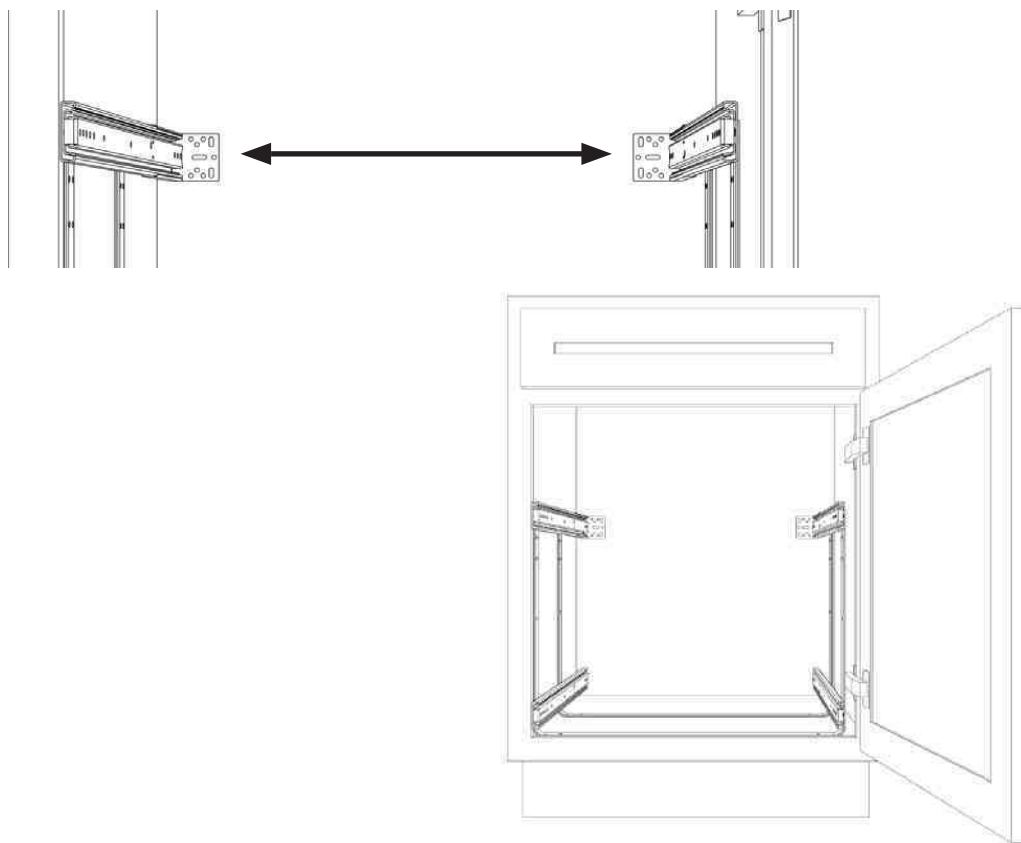


STEP 7

Push the (2) rear metal sockets to the rear of the cabinet and attach both sides using the (4) 1/2" wood screws (See Figure G).

Note: To ensure optimal performance it is recommended that the rear sockets are perfectly aligned.

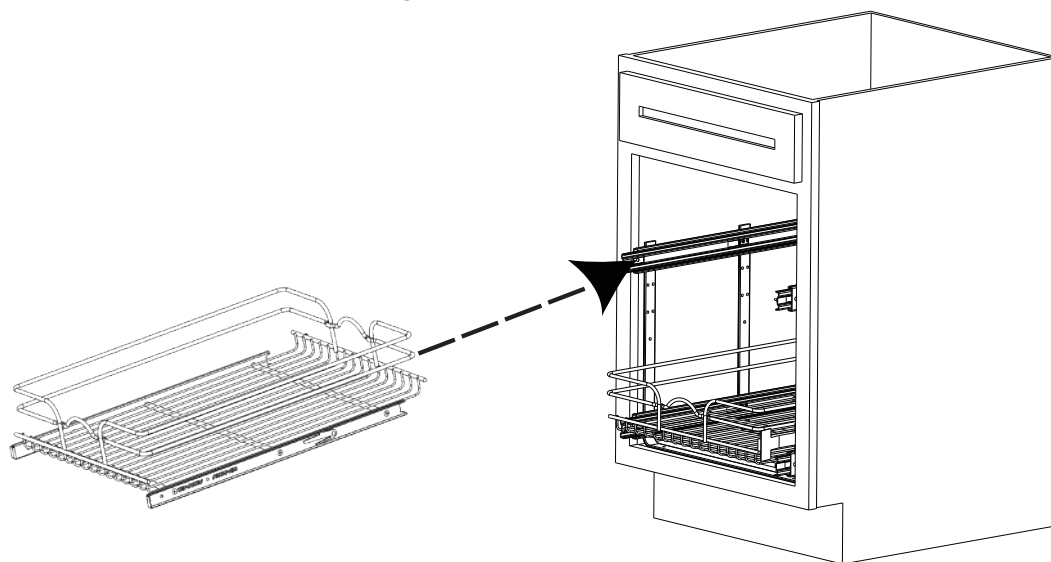
FIG. G



STEP 8

Carefully re-engage the baskets into the slides. Be careful not to force the baskets into the slides as this could cause damage (See Figure H).

FIG. H



An optional Door Mount Kit (Sold Separately) will attach your cabinet door to your Rev-A-Shelf product.



Part #
RV-DM17KIT-5
5WB-DMKIT

WATCH TUTORIALS OF OUR
PRODUCTS BEING INSTALLED



WWW.REV-A-SHELF.COM/VIDEOS

