

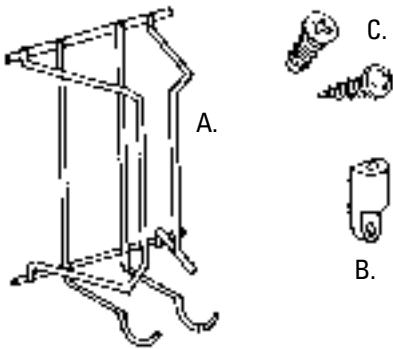
IRON HOLDER

Installation Instructions

Inspect all parts and read all instructions prior to beginning assembly and installation.

Parts Included

- A. Iron Holder
- B. End Fittings (4)
- C. Mounting screws



Tools Required

- Phillips screwdriver
- Drill with 1/16" bit for pilot holes (optional)
- Tape Measure
- Pencil

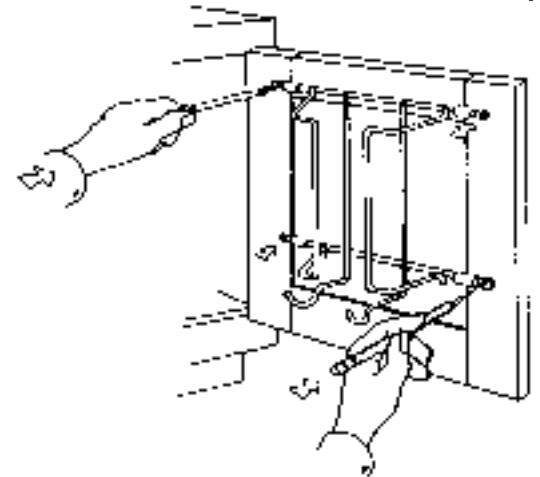
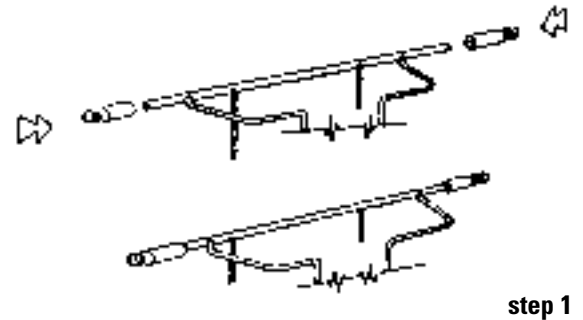
Product Assemblies

IB-H-C

Step 1 Place end fittings on the iron holder as shown.

Step 2 Position the iron holder on the inside of the cabinet door and mark the mounting holes. If possible, mount the iron holder so the screws will be placed in the doorframe and not in the center panel of the door. It is recommended to use small pilot holes drilled into the door to avoid splitting the wood. Fasten the bottom end fittings to the door. Make sure the mounting screws are shorter than the thickness of the door, to prevent the screws from going through the door face.

Step 3 Fasten the top end fittings to the door. The side fittings can adjust 5/8" to position the screw holes on the door frame if necessary. Installation is complete.



Real Solutions
FOR REAL LIFE™