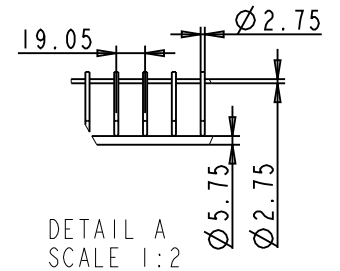
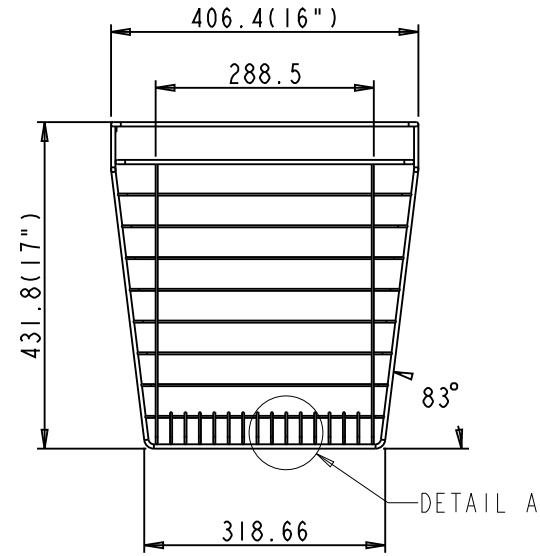
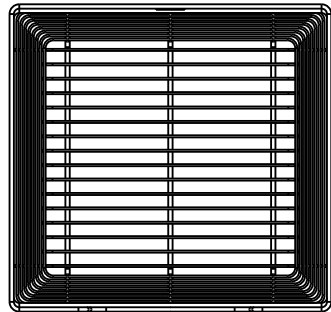


DETAIL B  
SCALE 1:2



DETAIL A  
SCALE 1:2

