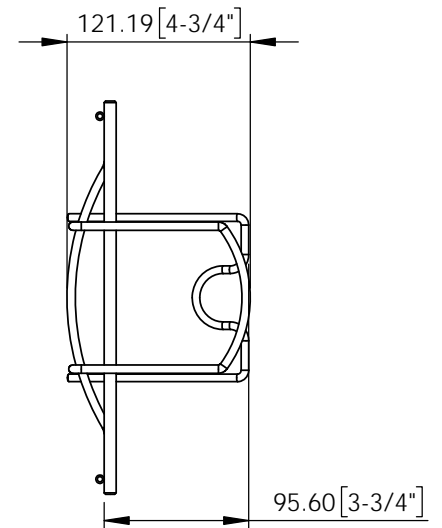
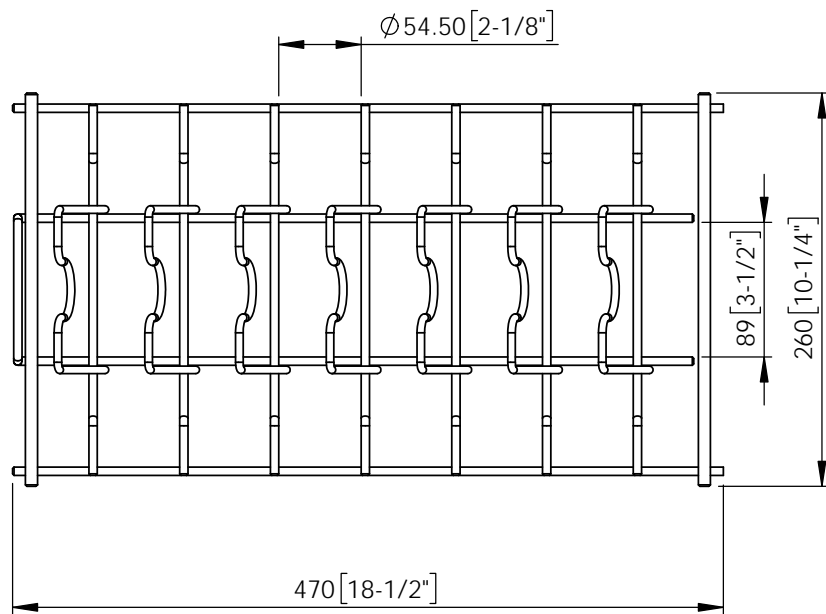
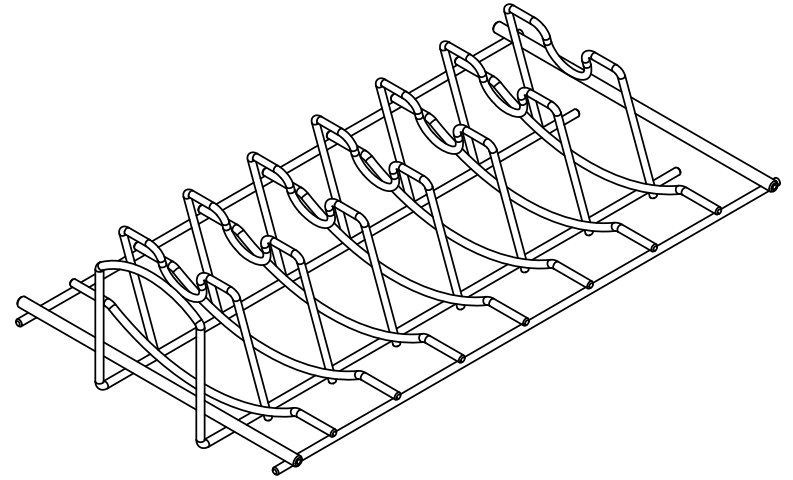
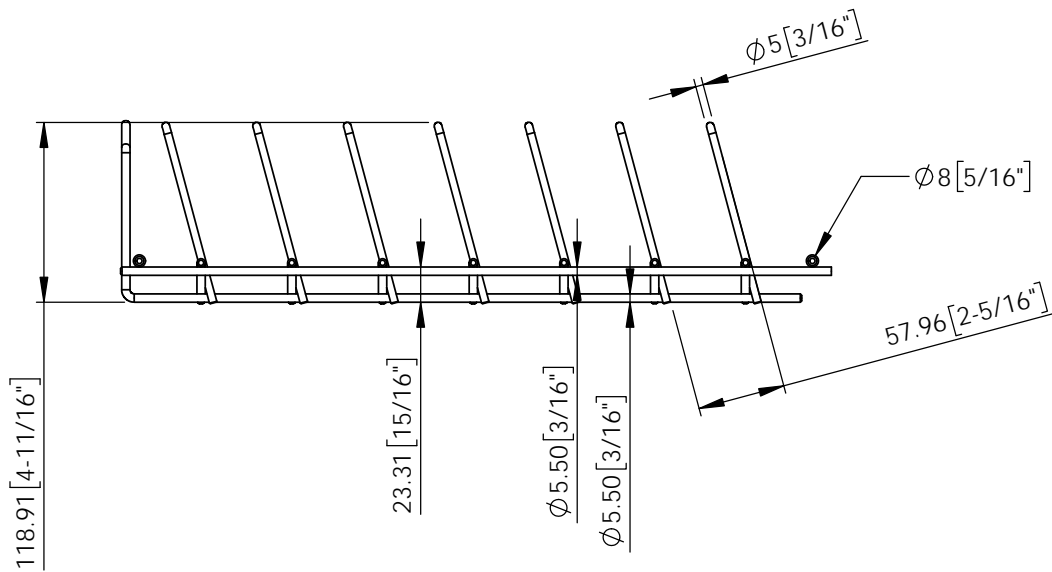
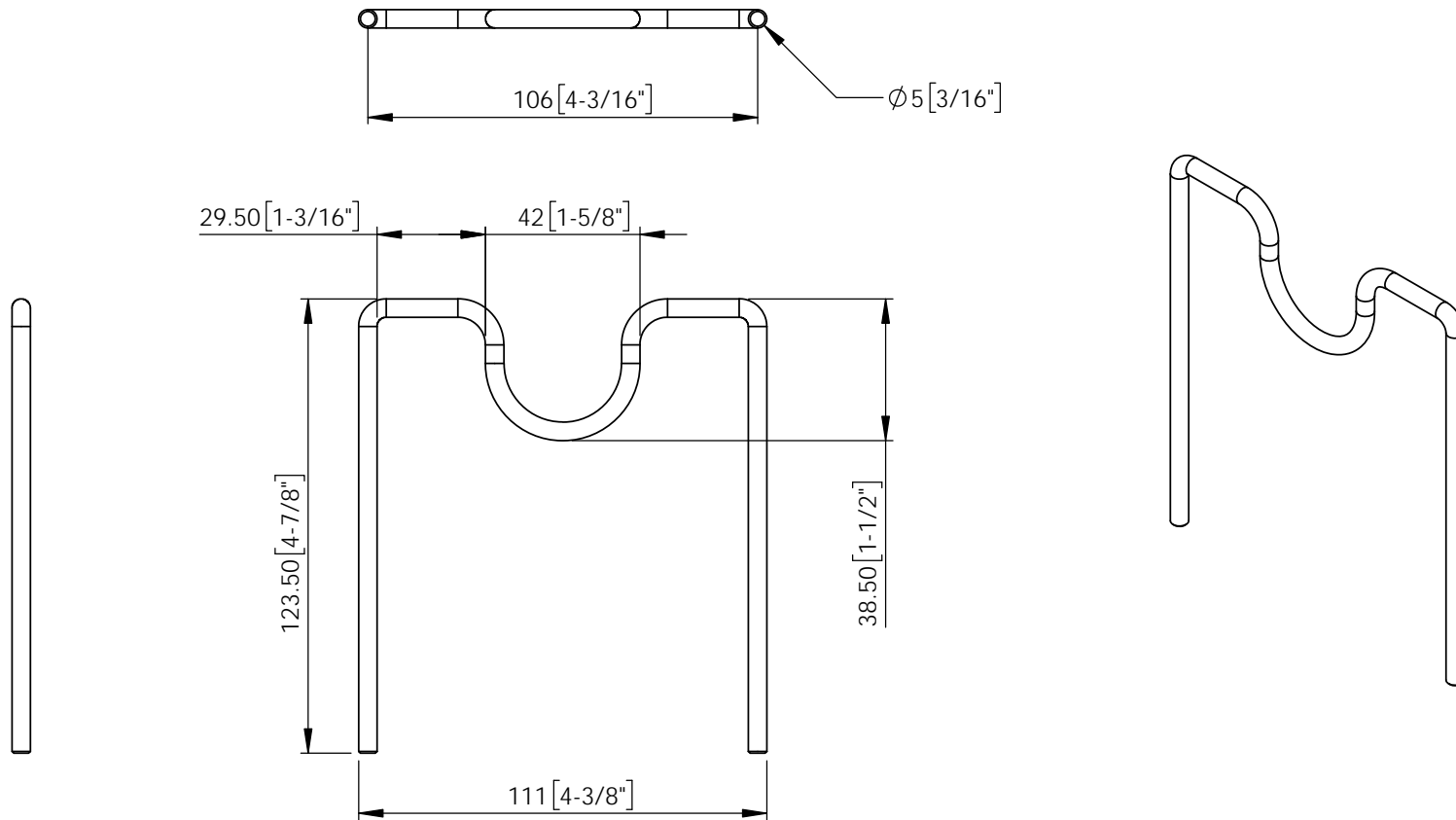


<p>hardware resources</p> <p>PROPRIETARY AND CONFIDENTIAL</p> <p>THE INFORMATION CONTAINED IN THIS DRAWING IS THE SOLE PROPERTY OF HARDWARE RESOURCES INC. ANY REPRODUCTION IN PART OR AS A WHOLE WITHOUT THE WRITTEN PERMISSION OF HARDWARE RESOURCES INC. IS PROHIBITED.</p>	ITEM#: mplo215-r	MATERIAL:		
	FINISH:	WEIGHT:		
	TOLERANCE UNLESS OTHERWISE SPECIFIED: x ±0.20 xx ±0.10 xxx ±0.05 ANGULAR: ±0.5°	UNITS:	DRAWING BY: Alexander.w	DATE: 03/10/16
	DO NOT SCALE DRAWING	SIZE:	FINISH:	DATE:
	SHEET:	FINISH:	REVISION:	



<p> hardware resources <small>PROPRIETARY AND CONFIDENTIAL</small> THE INFORMATION CONTAINED IN THIS DRAWING IS THE SOLE PROPERTY OF HARDWARE RESOURCES INC. ANY REPRODUCTION IN PART OR AS A WHOLE WITHOUT THE WRITTEN PERMISSION OF HARDWARE RESOURCES INC. IS PROHIBITED. </p>	ITEM#:	wire-frame		MATERIAL:
	FINISH:			WEIGHT:
	TOLERANCE UNLESS OTHERWISE SPECIFIED:	UNITS:	DRAWING BY:	DATE:
	x ± 0.20 xx ± 0.10 xxx ± 0.05 ANGULAR: $\pm 0.5^\circ$	SHEET: FINISH: REVISION:	Alexander.w FINISH: REVISION:	03/10/16 DATE: REVISION:



<p>THE INFORMATION CONTAINED IN THIS DRAWING IS THE SOLE PROPERTY OF HARDWARE RESOURCES INC. ANY REPRODUCTION IN PART OR AS A WHOLE WITHOUT THE WRITTEN PERMISSION OF HARDWARE RESOURCES INC. IS PROHIBITED.</p>	ITEM#:	1-2754		MATERIAL:
	FINISH:			WEIGHT:
	TOLERANCE UNLESS OTHERWISE SPECIFIED:	UNITS:	DRAWING BY:	DATE:
	x ± 0.20 xx ± 0.10 xxx ± 0.05 . ANGULAR: $\pm 0.5^\circ$	SIZE:	FINISH:	DATE:
DO NOT SCALE DRAWING	SHEET:	FINISH:	REVISION:	