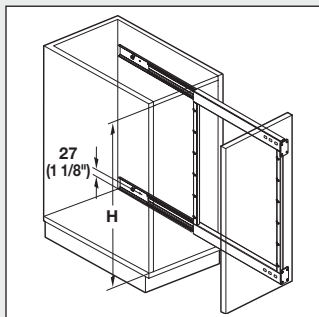


Base Cabinet Pull-Outs

With Dampening Function



- Dampening function slows the pull-out just before final closure, creating automatic and silent closing.
- A variety of baskets to choose from.

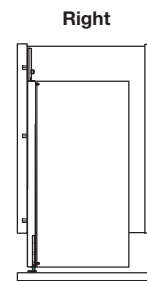
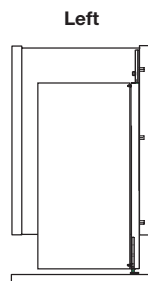


Organizational Products for Kitchen, Bath, Closet and Home Entertainment

- ARENA is the result of a manufacturing technology that seals melamine material with a polished chrome surround.
- The ARENA Plus non-slip surface prevents stored items from sliding.



Dimensions in mm
Inches are approximate



Full Extension Frame, with dampening function

Inside cabinet depth: minimum 485 mm (19 1/8")

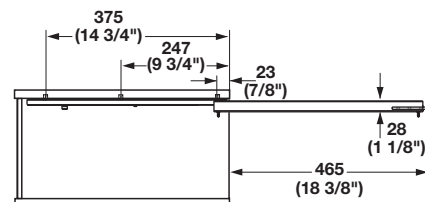
Inside cabinet width: basket width + 33 mm (1 5/16")

Finish: steel, epoxy coated; silver, RAL 9006



Inside cabinet Height min. mm (inch)	Frame height mm (inch)	Left	Right
510 (20 1/16")	507 (19")	545.59.268	545.59.278
610 (24")	607 (23 7/8")	545.59.266	545.59.276
680 (26 3/4")	677 (26")	545.59.267	545.59.277

Packing: 1 pc.



Front Bracket 90°, for base unit pull-outs

Finish: steel, epoxy-coated

Color	Cat. No.
Silver RAL 9006	545.59.298

Packing: 1 pc.

Storage Basket ARENA Plus, with non-slip surface

Basket dimensions:

Depth: 470 mm (18 1/2")

Height: 88 mm (3 1/2")

Finish: melamine shelf with steel, chrome-plated surround



Color	Width mm (inch) / Cat. No.			
	110 (4 3/8")	160 (6 1/4")	228 (9")	305 (12")
white	545.60.275	545.60.276	545.60.277	545.60.278
maple	545.60.175	545.60.176	545.60.177	545.60.178

Packing: 1 pc.

Storage Basket

Basket dimensions:

Depth: 470 mm (18 1/2")

Height: 75 mm (3")

Finish: steel, chrome-plated

Width mm (inch)	Cat. No.
110 (4 3/8")	545.60.208
160 (6 1/4")	545.60.217
210 (8 1/4")	545.60.244
320 (12 1/2")	545.60.253

Packing: 1 pc.

Dimensional data not binding.
We reserve the right to alter specifications without notice.