
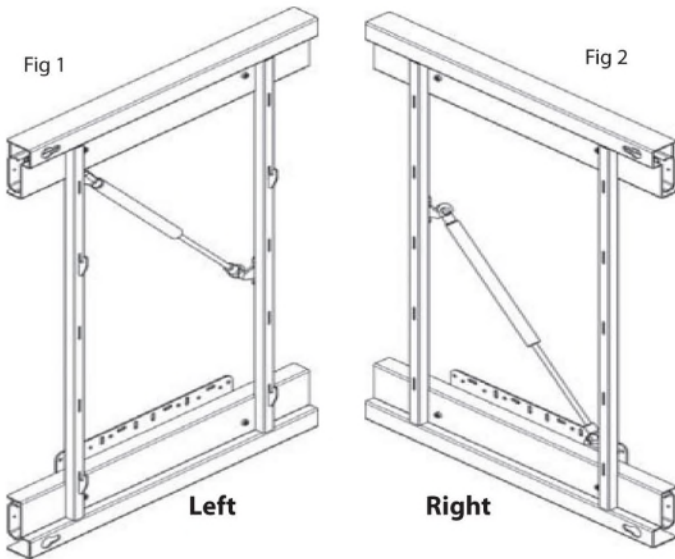
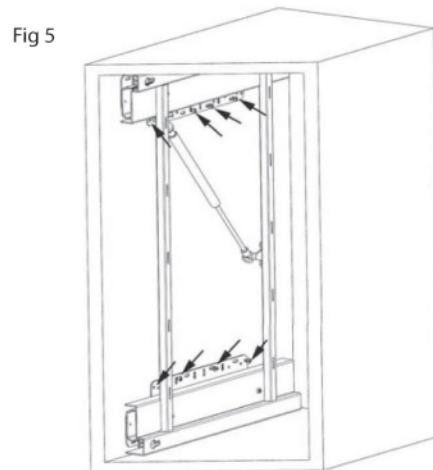
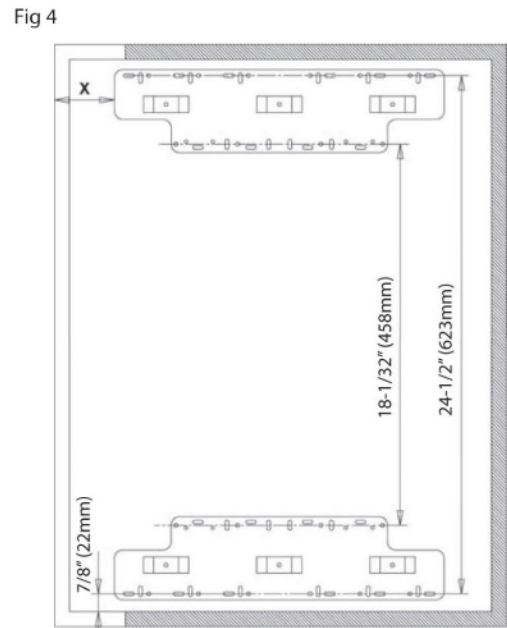


<p>TOOLS REQUIRED:</p>  <p>3/32"</p>	<p>ESTIMATED ASSEMBLY TIME:</p> <p>15 MIN</p>	<p>CARE AND MAINTENANCE:</p> <p>CLEAN WITH A DAMP CLOTH AND WIPE PARTS DRY</p>	<p>PARTS LIST:</p> <p>DOOR BRACKET, HOOKING BASKET, SOFT CLOSE PISTON, KIT SLIDES, WINE RACK FRAME</p>
--	---	--	---

1) Install the gas spring to the slide assembly according to the orientation chosen. The gas reservoir must be facing upward. (Fig 1-3)

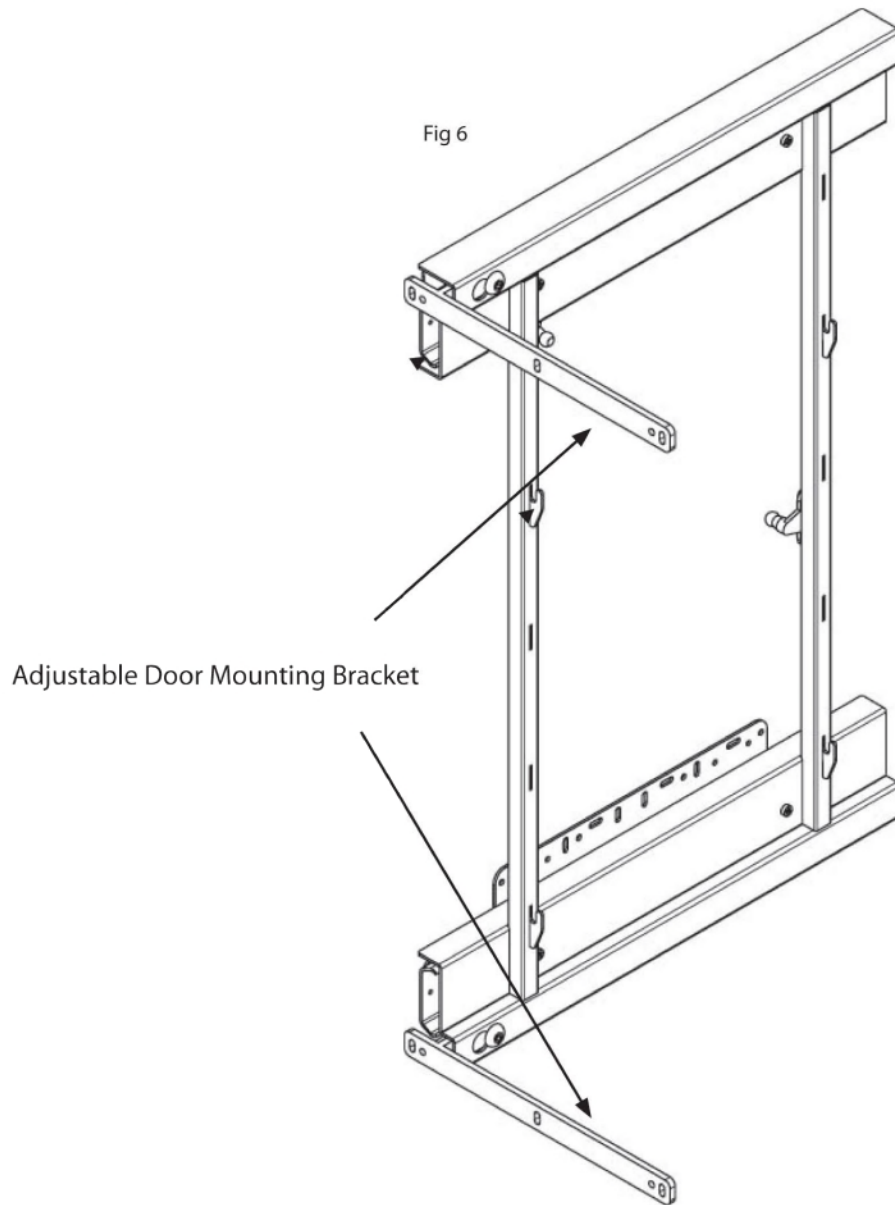


2) Install the slide assembly to the wall of the cabinet using the dimensions listed in the attached diagram. It may be helpful to use a spacer to hold the unit off of the floor during installation. Note: If installing in a face frame cabinet, you must first add material to the wall so that it is flush with the inside of the face frame. Also, inset doors must be set back 3/4". (Fig 4-5)



3) Insert the door mounting brackets into the unit according to the following diagrams. (Fig 6)

4) Attach the door using the adjustable door mounting brackets. Make sure the screws are engaging the full thickness of the door.



5) Refer to Fig 7-8 for horizontal tilt adjustment.

Note: Vertical door adjustment is dependent on how deep the brackets are inserted into the frame.

Fig 7

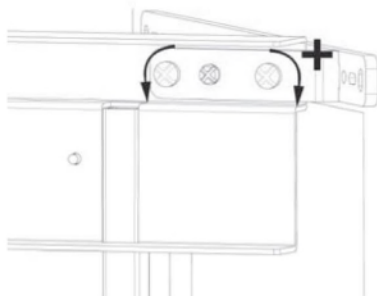


Fig 8

