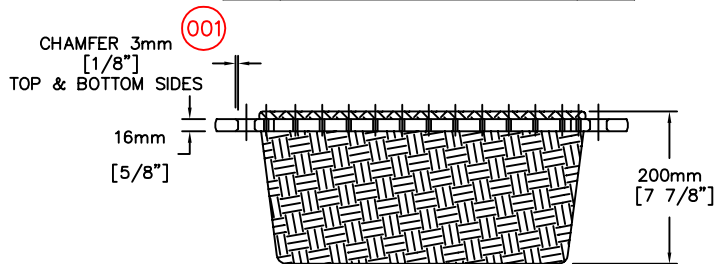
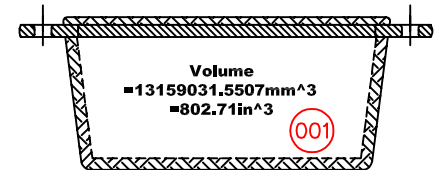
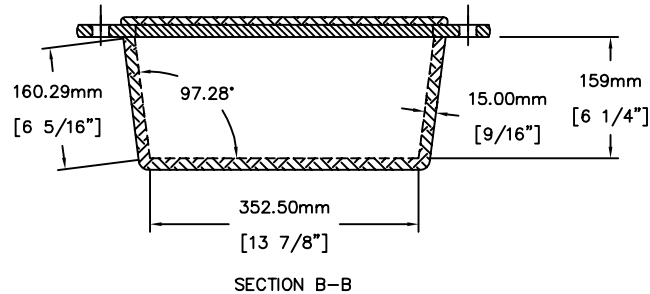
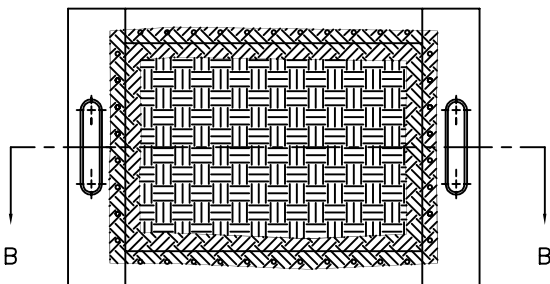
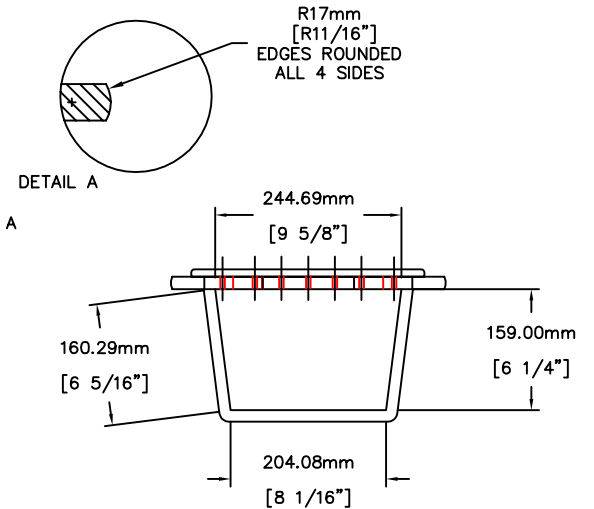


TOP FRAME



WICKER BASKET 363X540X200	STATUS
	00
	540.55.002

DATE:	4/7/98	SPECIFICATION
SCALE:		MAT'L:
DRAWN BY:	N P G	FINISH:
PUM APPROVAL	P MARTIN/KA	CUSTOMER APPROVAL

NOTICE
THIS DRAWING AND ALL INFORMATION THEREON IS THE PROPERTY OF:
HÄFELE
THIS DRAWING AND INFORMATION THEREON IS CONFIDENTIAL. MUST NOT BE MADE PUBLIC, COPIED OR USED TO DISADVANTAGE OF SAID HÄFELE AMERICA CO. IT IS SUBJECT TO RETURN ON DEMAND.
2003 HÄFELE AMERICA, CO.

RevNo	Project # or change Request #	Date	Signature	Checked
001	PRJ.#.161.507.201.144	3.19.04	NPG	RP/KA