

Remote Specifications:
P/N: L-WLDIM-1RND
Operating Voltage: 3V CR2025 battery
Working Frequency: 916.5 MHz
RF Remote Distance: 15m (50 ft.)

Receiver Specifications:
P/N: L-WLDIM-1REC
Input Voltage: 12V DC
Output Voltage: 12V DC
Max-Output Load: 5A, 60W
Dimming Range: 100% - 1%

Installation Instructions

Single Zone Wireless Round Dimmer

12V DC 60W Capacity

READ ALL INSTRUCTIONS BEFORE INSTALLING SYSTEM.

Before beginning installation, be sure power is turned OFF to light system.

Programming Instructions:

1. Disconnect Mounting Block from 12V DC Tresco power supply (see spec guide for power supply options). Connect Dimmer Receiver to Tresco 12V DC power supply by locating the input wire to the receiver and snapping the male AMP connector to female AMP connector located on output wire of the power supply (Figure 2).

**To use multiple receivers on one power supply, connect the input wire of the Mounting Block to the power supply output and then plug the receivers into the Mounting Block.*

2. Take the mounting case off of the Round Dimmer Controller (figure 1).

Remove the clear plastic tab to activate the battery.

3. Plug desired light(s) into the Mounting Block.

4. Plug polarized 2-prong end of Tresco 12V DC power supply wire into 120V receptacle. If receptacle is operated by on/off wall switch, turn switch on after plugging power supply in.

5. Press (do not hold down) the Learning Key (figure 3) on the Dimmer Receiver once, then press (do not hold down) the power button on the Round Dimmer Controller once. The lights should flash on/off, indicating they are programmed properly.

6. Repeat step 5 with any additional receivers or controllers that you want programmed.

**Each receiver can be controlled by up to 8 different controllers. A single controller can control up to 10 receivers.*

How to Deprogram a Receiver:

1. Hold down the Learning Key on the Dimmer Receiver until the lights connected to the receiver flash on/off twice.

2. The receiver is now reset and is no longer programmed to any controllers.

Dimmer Mounting Instructions:

1. There are three options for mounting: screws (Figure 4), magnet (located on bottom of casing), or double-stick adhesive (included in package).

2. To mount with screws, first remove the casing from the dimmer. Position the casing at desired location, being sure to align the "notch" on the inner wall of the casing (Figure 5) at the top of the cylinder to ensure proper orientation of the control button on the Dimmer.

3. Mark screw hole locations and use a 1/16" drill bit for pilot holes. Drive screws through holes in casing into pilot holes, again ensuring that the notch on the casing is at the top portion of the cylinder.

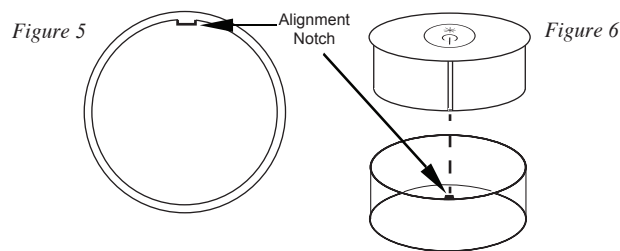
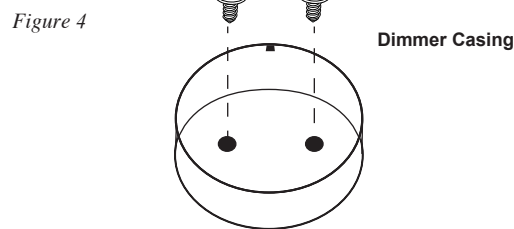
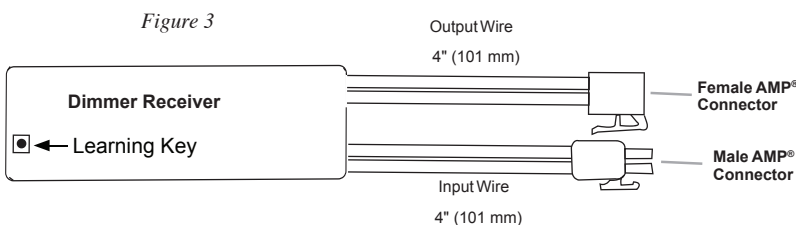
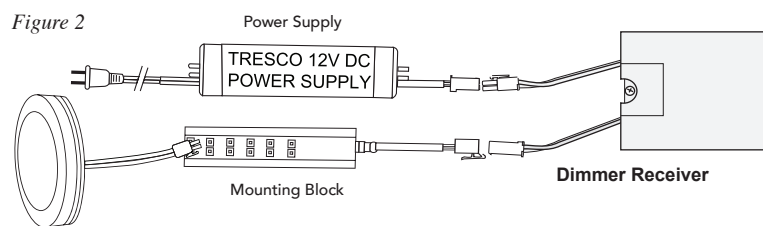
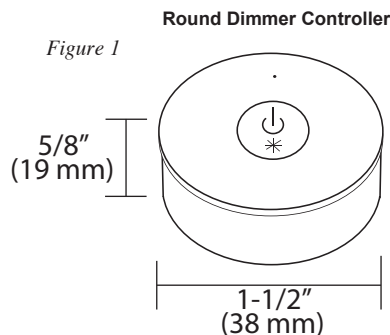
4. Slide Dimmer control unit into Dimmer casing (Figure 6).

IMPORTANT SAFETY INSTRUCTIONS

CAUTION: To reduce the risk of fire, electric shock, or injury to persons:

- Route and secure cords so they will not be pinched or damaged when cabinet is pushed to the wall.
- Use only insulated staples or plastic ties to secure ALL loose cords.
- Replace battery with CR2025 Battery only. Not rechargeable.
- 12VDC input only to receiver
- 12VDC 60W 5AMP max receiver output
- Use only in dry locations. Not for use where exposed to the weather
- Not intended for recessed installation in ceilings or soffits
- A licensed electrician should be consulted for wiring through ceilings, soffits, or walls.
- All wiring must follow NEC regulations.

Save these instructions for future reference.



Tresco Lighting by Rev-A-Shelf



I-WLDIM1RND-1015

kitchensource.com

1.800.667.8721