

**Models:**  
**POCKIT LIGHT 4W** . . . . . P/N: L-POC-4CCT24

Starter Cord with attached Connector are included with each Light.

For use with 24V Class 2 or LPS 96W Max Power Supply and White Color Tuning Controller

- For Tresco models see the Tresco Spec Guide or contact your local Tresco Sales Representative.

# Installation Instructions

## Pockit LED Light - 24VDC

4W White Color Tunable

### READ ALL INSTRUCTIONS BEFORE INSTALLING SYSTEM.

Before beginning installation, be sure power is turned OFF to light system.

*Note: If Using a Tresco 96W DC Power Supply, only connect a maximum of (24) 4W Puck Lights. If using any other 24V Class 2 or LPS supply do not link more lights than the maximum power rating (ex. 60W attach no more than 15 puck lights)*

*Color Tunable Puck Requires additional controller for dimming and color tuning.*

- For Tresco models see Tresco Spec Guide or contact your local Tresco Sales Representative.

- **FIRST**, roughly lay out lighting system before installation to help verify final positioning of all components. Check that Power Cord will properly reach 120V power source.

*Note: Maximum length of cord from Power Supply to light should be 5m (16').*

*Longer cords could result in poor light quality.*

- Install the Class 2 or LPS DC Power Supply, but do not plug Power Cord into 120V power source yet.

Next, select either surface mount or recess mount options.

### Steps to surface mount:

*Note: First determine whether Puck Light wires will ...*

- (a) pass through a 13mm (1/2") hole in mounting surface (shelf, etc.) or*
- (b) pass through knockout in Mounting Ring and run along surface. Select best method.*

1. Determine final location of light(s). Mark exact position of light fixture on surface using Mounting Ring as a template. Mark for (2) screw holes.  
*Note: If you decide to route wires through hole in surface, mark placement of 13mm (1/2") hole inside the perimeter of Mounting Ring, so wires will be hidden when Ring is mounted.*

2. Drill 1.5mm (1/16") pilot holes for the mounting screws (provided). If needed, drill 13mm (1/2") in mounting surface for wire hole. Be sure to remove rough areas at edge and inside hole.
3. Pass the light fixture wires through Mounting Ring. Then properly route wire either through hole in mounting surface or Mounting Ring knockout (see #1). Attach Mounting Ring to surface with (2) screws.
4. Push Puck Light Body into Mounting Ring allowing metal spring tabs on Light Body to hold in final position (see #2). See **Final Steps** below.

### Steps to recess mount:

1. Determine final location of light(s).
2. Drill 57mm (2-1/4") hole to recess mount Puck Light Body.† Be sure to remove rough areas at edge and inside hole (see #3).
3. Feed wires through hole and push Puck Light into place, allowing metal spring tabs on Light Body to hold in position. See **Final Steps**.

### Final Steps:

*If Using a Tresco Power Supply:*

- Connect the Pockit Light to the White Color Tuning Controller output. Then connect the controller to the 24V DC Class 2 or LPS power supply (see #5). Then plug Power Supply into 120V power source (see #6).

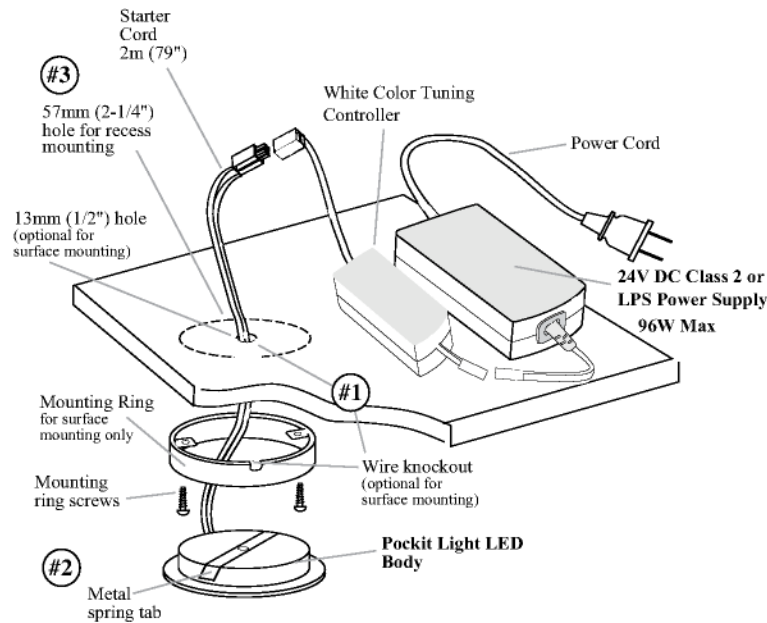
*If not using a Tresco Power Supply: follow NEC code for connecting to a 96W Max LPS or Class 2 24V DC Power Supply and color tuning controller*

### Included:

Starter Cord 2m (79") with connector are included with each Light

### Accessories:

24V Extension Cord (P/N: L-CCTEXT) is used when light fixtures are installed farther apart from the controller than the standard Starter Cord length will allow. They are available in 60cm (24") or 120cm (48") lengths.



### IMPORTANT SAFETY INSTRUCTIONS

CAUTION: To reduce the risk of fire, electric shock, or injury to persons:

- 96W Class 2 or LPS 24V DC Power Supply powers up to (24) 4W Puck Lights.
- LED are not replaceable.
- LED lights are bright. Do not look directly at lights.
- Not intended to be used in damp locations or outdoor areas.
- Not intended for recessed installation in ceilings or soffits.
- Do not conceal 120V Power Supply Cord or power supply inside a wall, ceiling, soffit, or similar permanent structure, unless consulting a licensed electrician.
- Use only insulated staples or plastic ties to secure ALL loose cords.
- Route and secure cords so that they will not be pinched or damaged when the cabinet is pushed to the wall.
- A licensed electrician should be consulted for wiring through ceilings, soffits, or walls. All wiring must follow NEC regulations.
- This portable lamp has a polarized plug on the Power Supply Cord (one blade is wider than the other) as a feature to reduce the risk of electric shock. This plug will fit in a polarized outlet only one way. If the plug does not fit fully in the outlet, reverse the plug. If it still does not fit, contact a qualified electrician. Never use with an extension cord unless plug can be fully inserted. Do not alter the plug.

This light is intended to be used as a cabinet light on wood, particle board or other structurally sound, heat resistant surface. Care should be taken during and after installation to avoid contact of light with wiring, cord, or any combustible material.