

Specification
Part Number T-Q-4Z-WC-RF
Receiver T-Q-WR96

T-Q-WR96 HOOKUP GUIDE

Important: Read all instructions prior to installation

Wireless Quattro 4 Zone Dimmer 12-36vdc LED Wall+Mini Remote Control

Parts Included

- 1 - 4 Zone Wall Dimmer Control
(or use as mini touchpod remote)
- 1 - CR2032 Long Life Battery
- 1 - Installation Instructions

Wall Buttons

| Button Actions: | On/Off/Dimming Functions |
|-----------------------------------|--|
| Left 6 Right Buttons All Zones | Single push of left zone button turns lights on in paired zone(s). Single push of right zone button turns lights off in paired zone(s). |
| Left 6 Right Buttons All Zones | Press and hold left zone button to increase brightness. Press and hold right zone button to decrease brightness. |
| Note | Remote needs to be in range of receivers. Average range is 100'. Range will decrease as battery power gets low. |



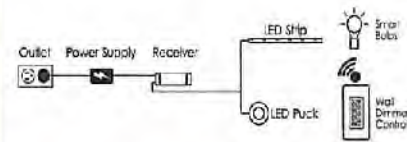
| T-Q-4Z-WC-RF LED Dimmer Wall Switch | |
|-------------------------------------|-----------------|
| Operating Voltage | 3VDC |
| Operating frequency | 434 MHz/868 MHz |

| T-Q-WR96 LED Receiver | | |
|-----------------------|---------|----------------|
| Input Voltage | Current | Output Voltage |
| 1X(12-36)VDC | 1XE4 | 1X(56-238)W |

Safety

DO NOT expose the remote or controller to direct or indirect moisture

Set-Up Instructions



Pairing Instructions:

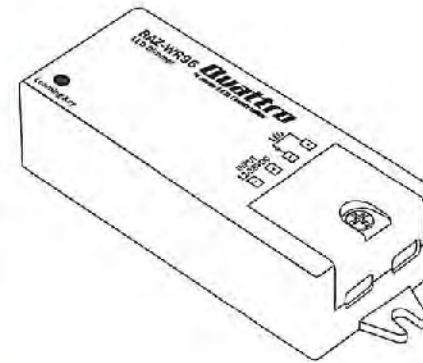
After you have wired all the receivers according to your project requirements, do the following:

- If you use multiple receivers, you have two choices: (1) Have all the receivers in the same zone, (the zone 1 for example), or (2) have each receiver in a different zone, (the zone 1, 2, 3 or 4).
- In order for each receiver to know what zone it belongs to, you will need to "pair" it to the zone you wish to use. In order to do this, you need to power up the unit with the LED lights hooked to it. Then reset the receiver by pressing and holding the "Learning" button until the lights blink 2 times. To "pair" you need to quickly and firmly press and release the "Learning" button on the receiver, and immediately after that you will need to quickly press and release the ON or OFF button on the RAZ-Q4RF control for the zone you wish to use. Once you do that, the lights will blink once, now your Remote and Receiver are paired.
- Do the same for any other receivers if you use them.

NOTE: Reset the receiver by pressing and holding the "Learning" button until the lights blink 2 times. You can now pair it to a different zone.

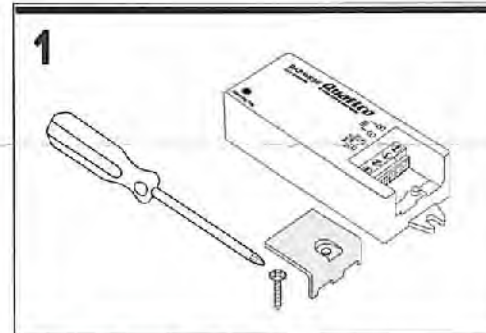
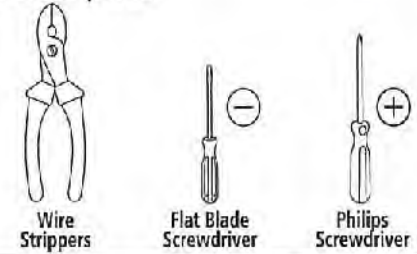
#RAZ-Q4RF Wireless Wall Control Installation

- Install the Long Life CR2032 battery in the touchpad.
(Can be used as a handheld remote).
- Securely attach the touchpad to the mounting plate.
- Install the touchpad mounting plate assembly into the desired electrical box location. The #T-Q-4Z-WC-RF can be gaged with other switches.
- Attach your coverplate (not included) and you're ready to pair your receiver to your touchpad.

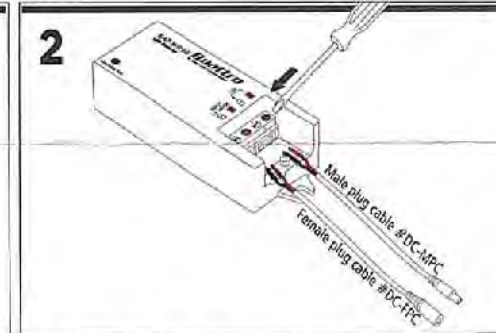


Pre-installation

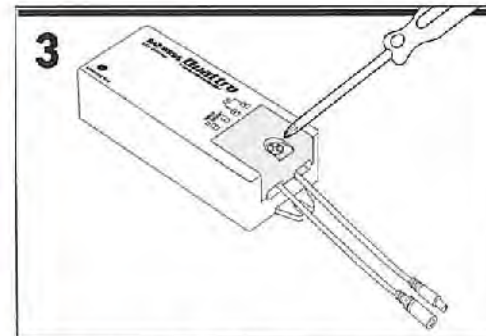
Tools required



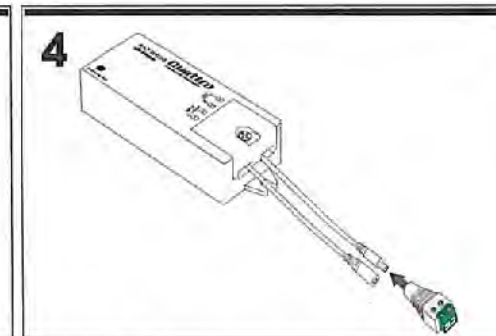
1. Remove cover with Phillips screwdriver.



2. Loosen the 4 flat head terminal screws using the flat blade screwdriver. Connect the male and female plug cables, or connection wire. Titen 4 screws. (+ Red wire) (- Black wire)



3. Attach cover with Phillips screwdriver.



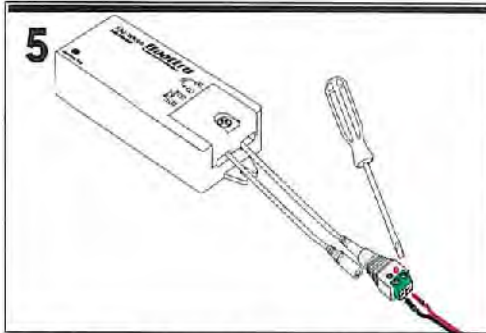
4. Attach the female barrel connector to the male

Set-Up Example 1

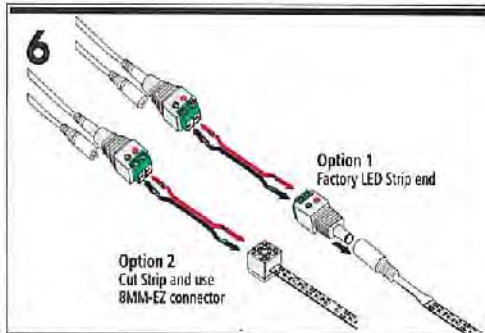
Set-Up Example 2



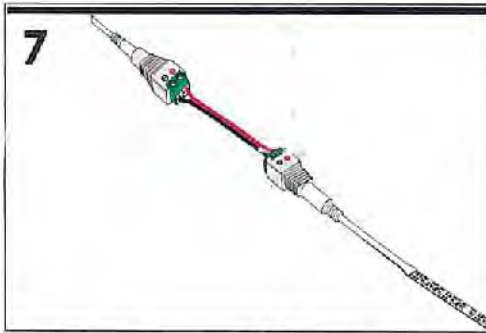
T-Q-WR96 HOOKUP GUIDE



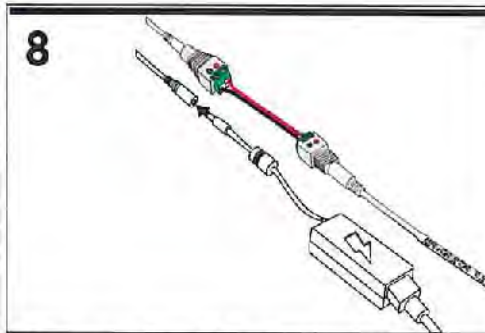
5. Cut the connection wire to desired length and route to LED strip location. Strip wire back 3/16" and insert into the Female barrel connector terminals. (Red to + and Black to -) Tighten screws down with Philips screwdriver



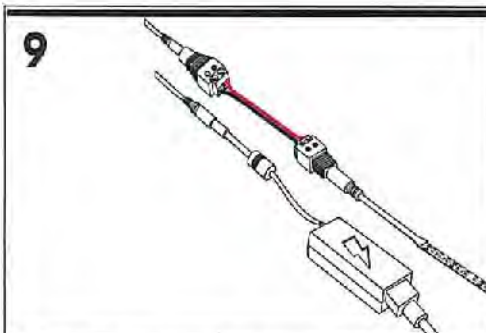
6. Route wire from receiver barrel plug to LED strip. Connect to strip using Option 1 or Option 2. (See the 8MM-EZ guide for detailed cutting and connecting instructions)



7. Verify that all connections polarity are correct (Red to + and Black to -)



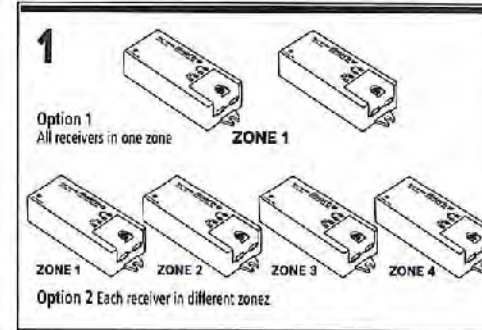
8. Connect the male end of the power supply to the Female plug cable.



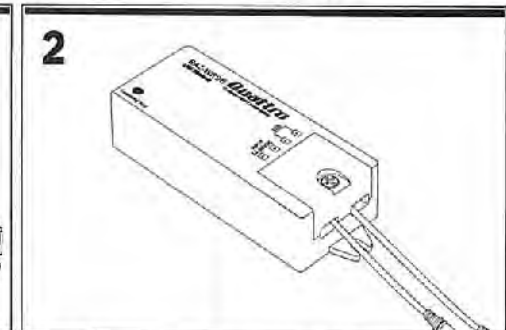
9. Plug in the power supply and proceed to the pairing instructions

PAIRING INSTRUCTIONS

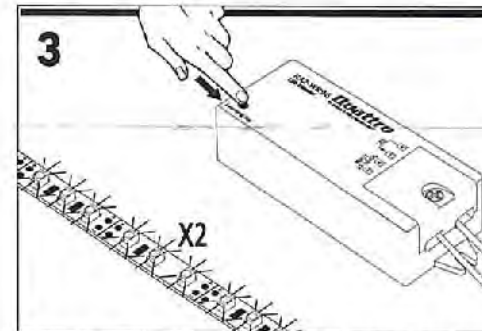
After you have wired all the receivers according to your project requirements, do the following:



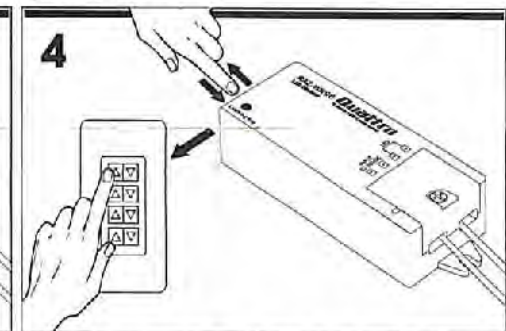
1. If you use multiple receivers, you have two choices:
(1) have all the receivers in the same zone, like zone 1, or
(2) have each receiver in a different zone, like zone 1, 2, 3 or 4.



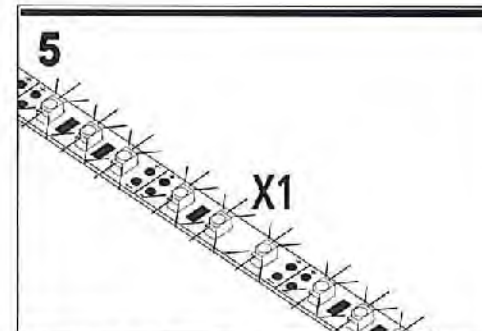
2. In order for each receiver to know what Zone it belong to, you will need to "pair" it to the zone you wish to use. In order to do this, you need to power up the unit with the LED lights hooked to it.



3. Reset the receiver by pressing and holding the "Learning" button until the lights blink 2 times.



4. To "pair" you need to quickly and ylmrfi press and release the "Learning" button on the receiver and immediately after that, you will need to quickly press and release the ON or OFF button on the T-Q-4Z-WC-RF control for the zone you want to use.



5. Once you do that, the lights will blink once. Now your Remote and Receiver are paired.