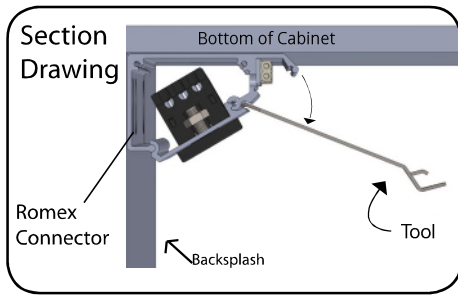
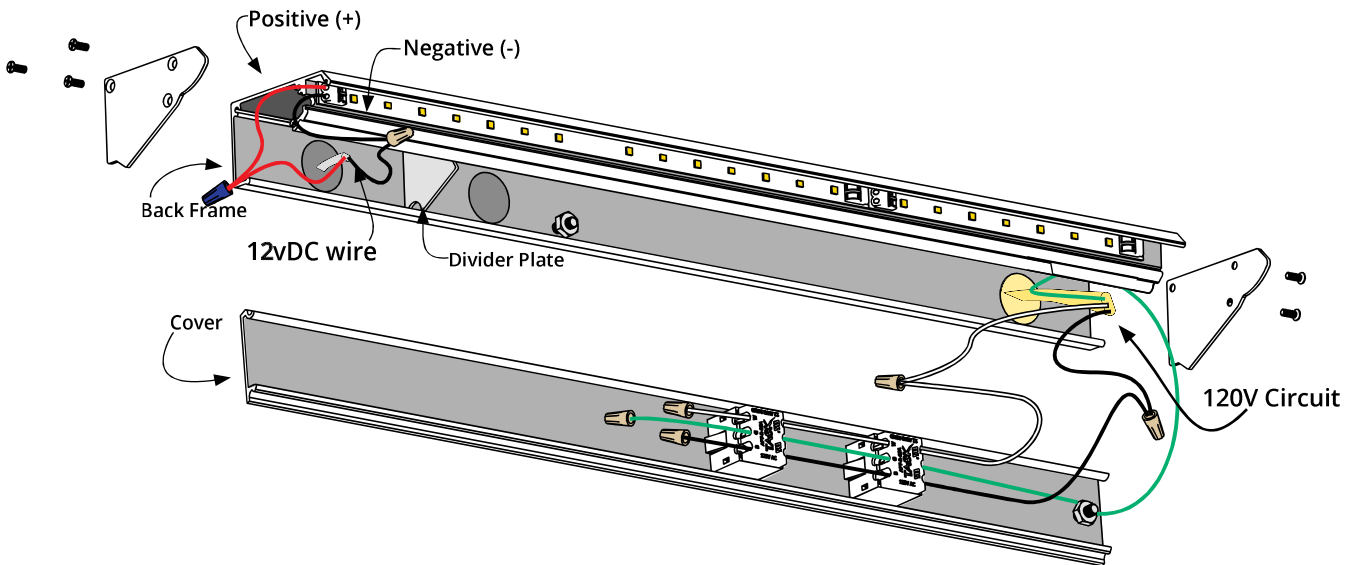
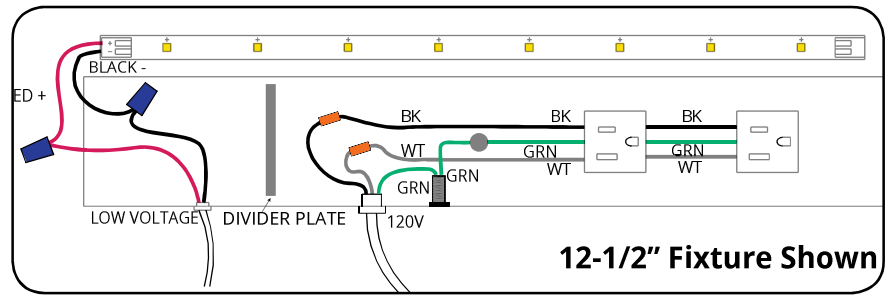


### General Guidelines

- Power source MUST be a 20 amp branch circuit protected by a GFCI at the panel or GFCI prior to the connection at LPS.
- All wiring must meet NEC<sup>®</sup> and local codes.
- Light valance recommended.
- Firmly insert plug straight into receptacle, applying equal pressure to both blades at the same time. **Gently** rock plug, if needed.



Turn power off at panel. **Carefully** pry open each piece with tool (provided). Insert Romex connector into knockout hole inside of back frame. Pull wires into LPS.



### Remote Power Supply- 120V Entry

- Step 1** Secure LPS to wall by screwing into wall studs or use anchors provided. Connect BLACK to BLACK, WHITE to WHITE. Ground all GREEN wires to PEM studs inside of back frame.
- Step 2** When connecting two LPS, run Romex from fixture to fixture. Ground each section to the next.
- Step 3** To terminate last LPS, use wire nuts on ends of wires.

### Remote Power Supply-Low Voltage Entry

- Step 4** Using appropriate knockout hole, pull low voltage wire from remote power supply into the low voltage space, connect BLACK wire (negative) to BLACK wire from lights and RED wire (positive) to RED wire.
- Step 5** Snap cover in place and turn power on.