



Dimmer Interface 1-10 V, modular

833.89.144

	$V_{IN} =$	T_A	mm	mm	
833.89.144	1 – 10 V	-20 °C – +35 °C -4 °F – +95 °F	68.9 x 34.7 x 13.5	$\geq 78.9 \times 44.7 \times 23.5$	Loox 12V
					Loox 24V

732.28.249

A

C

D 2x

+

B

X

X	
500	833.89.140
1000	833.89.141
2000	833.89.142

B

X

X	
500	833.89.054
1000	833.89.055
2000	833.89.056

HDE 05/2017

1

1

C

2

A

3

4

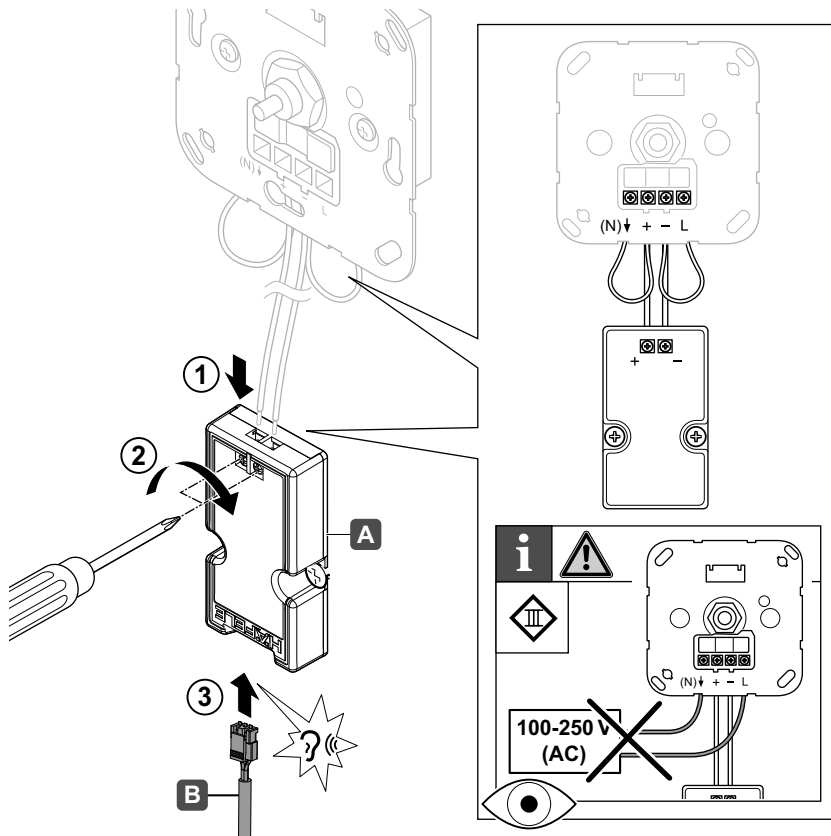
5

D

6

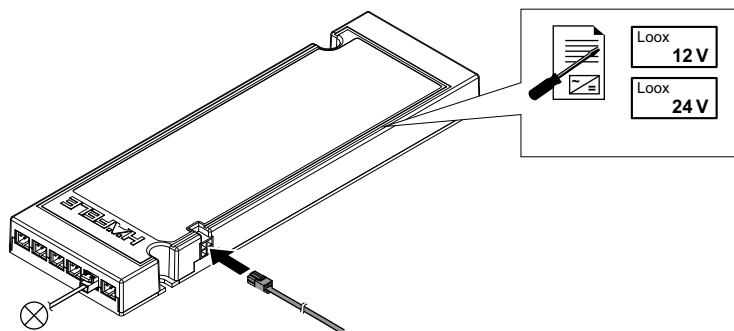
A

2



732.26.249

3



HDE 05/2017