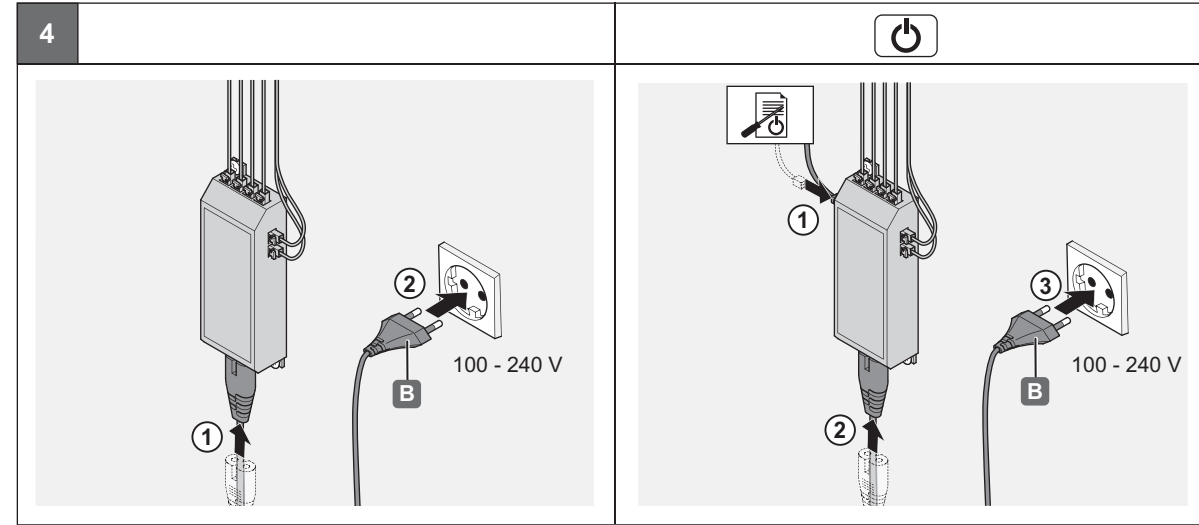
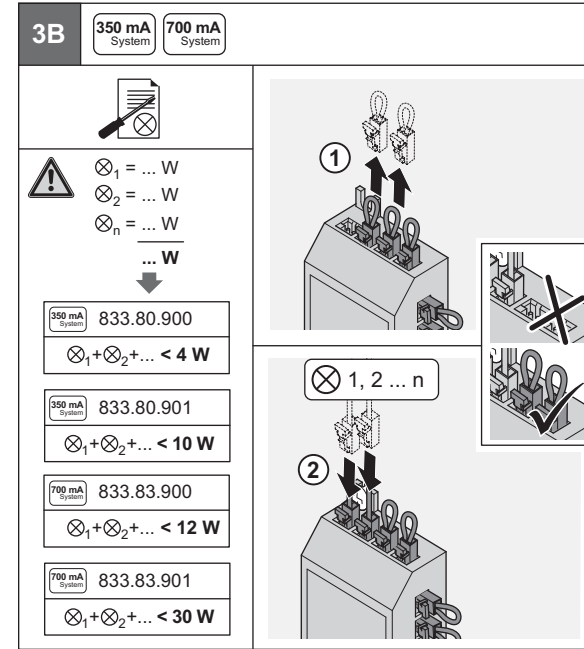
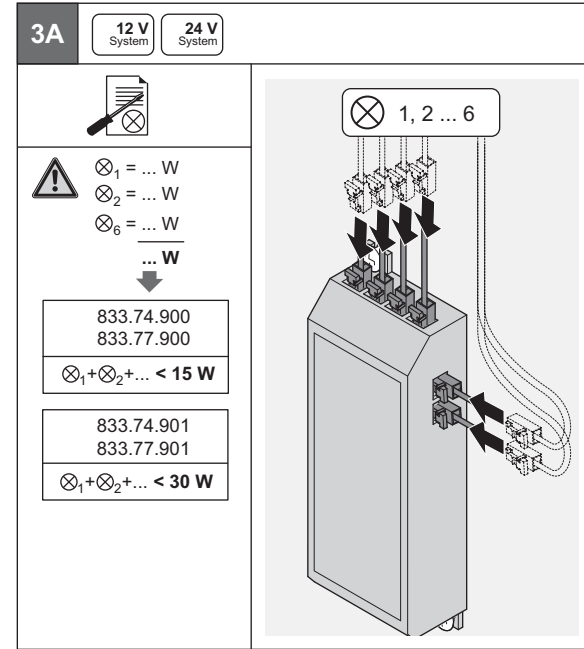
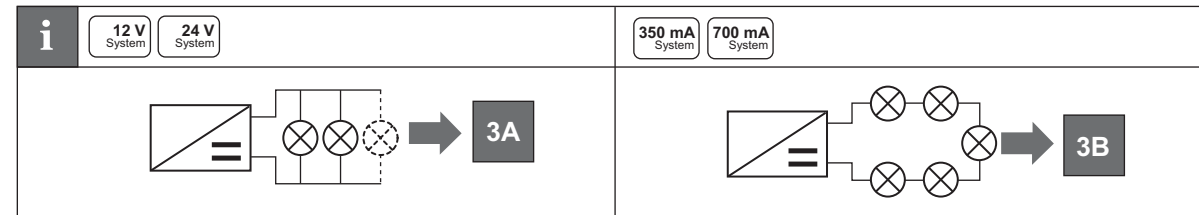
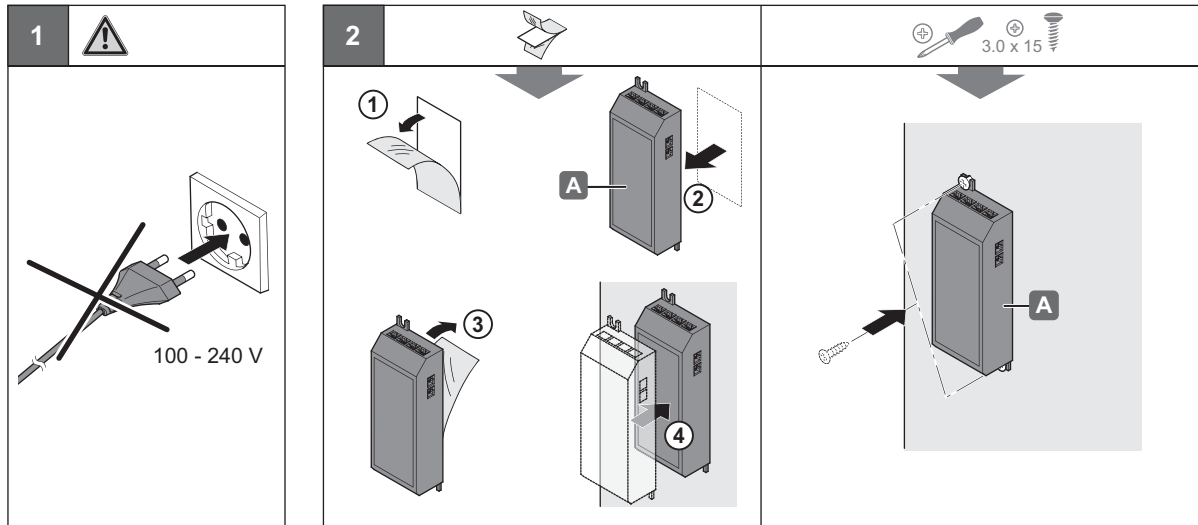




**LED Drivers**  
12 V / 24 V / 350 mA / 700 mA

833.74.900, 833.74.901  
833.77.900, 833.77.901  
833.80.900, 833.80.901  
833.83.900, 833.83.901

		V <sub>IN</sub>	V <sub>OUT</sub>	T <sub>A</sub>		
<b>A</b>		<b>B</b>				
<b>12 V System</b>	833.74.900	100 – 240 V	12 V / 15 W	40 °C (104 °F)		833.89.000 UK (250 V~)
	833.74.901		12 V / 30 W	45 °C (113 °F)		833.89.001 AU (250 V~)
<b>24 V System</b>	833.77.900	100 – 240 V	24 V / 15 W	40 °C (104 °F)		833.89.002 EU (250 V~)
	833.77.901		24 V / 30 W	45 °C (113 °F)		833.89.003 US (120 V~)
<b>350 mA System</b>	833.80.900	100 – 240 V	350 mA / 4 W	45 °C (113 °F)		833.89.004 JP (100 V~)
	833.80.901		350 mA / 10 W	45 °C (113 °F)		833.89.005 CN (250 V~)
<b>700 mA System</b>	833.83.900	100 – 240 V	700 mA / 12 W	45 °C (113 °F)		833.89.006 KR (250 V~)
	833.83.901		700 mA / 30 W	45 °C (113 °F)		833.89.007 TW (110 V~)
						833.89.009 EU,AU,CN,TW,RU (250 V~)
						833.89.050 US, CA (120 V~)



**⚠ WARNING** Read the instructions before assembly! Non-compliance with these instructions can lead to electric shock, fire or injury. Likewise, read the instructions for the LED lights and switches! Keep the instructions in a safe place and give them to the user after assembly.

**Electrical safety**

Never open or modify product components. Do not insert any foreign objects into the openings of product components, as this could result in electric shock or a short circuit. Never expose the product components to moisture and never assemble or store them near water or in damp, aggressive or potentially explosive areas. Never carry the product by the cable and do not use the cable to pull from the socket. Never drill or damage the cable. Keep product components away from heat, sharp edges or moving parts. Install product components such that they cannot be accessed by children.

**Intended use**

- The product is intended for:
- Assembly on/in furniture,
  - Use in dry, interior spaces (Protection class: IP 20),
  - T<sub>A</sub> Ambient temperature -10 to +40 °C (14 to 104 °F).

**Assembly**

Check the scope of delivery before commencing assembly. If parts are missing or damaged, contact the manufacturer. Never use and assemble damaged parts, or small parts that are not part of the scope of delivery and not approved by Häfele. All product components must be assembled in a currentless condition. Switch off the power supply [1] before commencing assembly. Use suitable fixing material for the furniture [2]. Ensure that the total wattage of all connected LED lights does not exceed the maximum wattage of the power supply (see type label) [3A], [3B].

**Cleaning and maintenance**

Disconnect from the mains. Clean product components with a soft, dry and fibre-free cloth. Do not use chemical cleaning agents, abrasive cleaners or liquids! The product does not contain any parts that should be repaired by the user. In the event of a defect, replace the entire assembly. Contact the manufacturer.

**Disposal:**

- Do not dispose with the household waste.
- Observe country-specific regulations.