



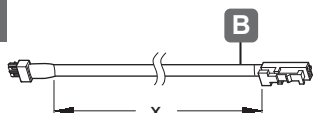
**LED 2025**  
**LED 2026**

|                   |                   |
|-------------------|-------------------|
| <b>833.72.120</b> | <b>833.72.126</b> |
| <b>833.72.121</b> | <b>833.72.127</b> |
| <b>833.72.122</b> | <b>833.72.130</b> |
| <b>833.72.124</b> | <b>833.72.131</b> |
| <b>833.72.125</b> | <b>833.72.132</b> |

|            | <b>K</b> | <b>W</b> | <b>T<sub>A</sub></b>              |               |               |                            |
|------------|----------|----------|-----------------------------------|---------------|---------------|----------------------------|
| 833.72.120 | 3000 K   | 3.8 W    | -20 °C – +35 °C<br>-4 °F – +95 °F | Ø 61.2 x 15.6 | Ø 71.2 x 25.6 | <b>Loox</b><br><b>12 V</b> |
| 833.72.121 | 4000 K   |          |                                   |               |               |                            |
| 833.72.122 | 5000 K   |          |                                   |               |               |                            |
| 833.72.130 | 3000 K   | 3.0 W    |                                   |               |               |                            |
| 833.72.131 | 4000 K   |          |                                   |               |               |                            |
| 833.72.132 | 5000 K   |          |                                   |               |               |                            |

732.28.384

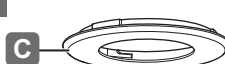
**+**



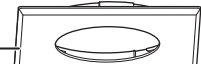
| x    |            |
|------|------------|
| 500  | 833.72.128 |
| 1000 | 833.72.129 |
| 2000 | 833.72.123 |

**+**

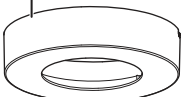
833.72.126



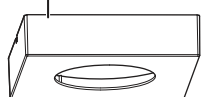
833.72.127

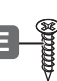


**F** 833.72.124

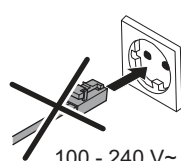


**G** 833.72.125

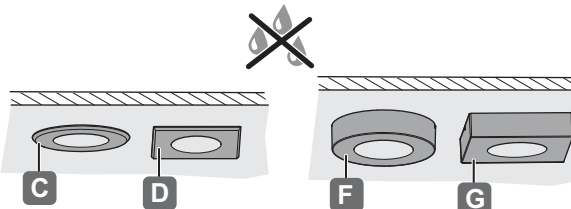


2x **E** 

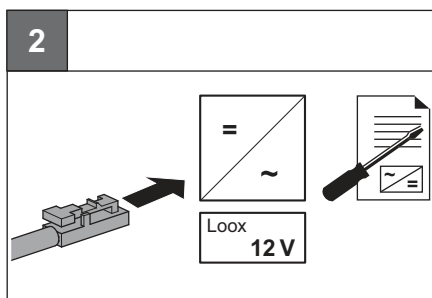
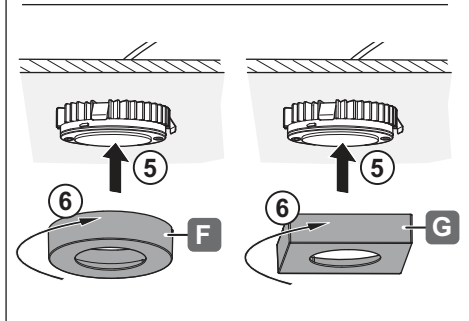
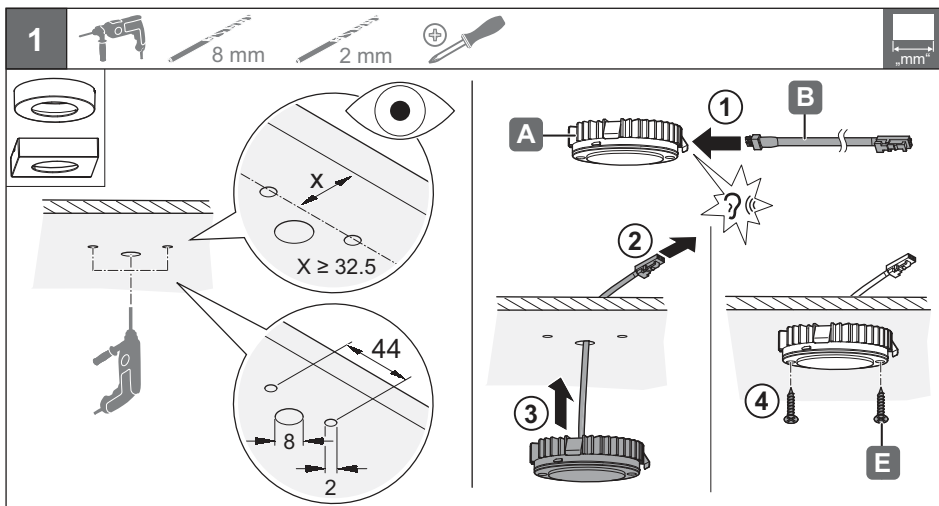
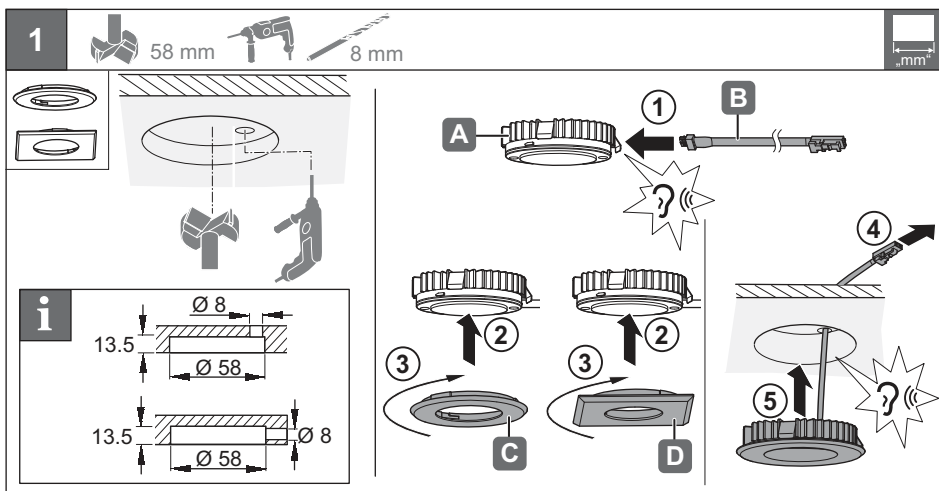
**i**



100 - 240 V~



HDE 07/2015



732.26.384

HDE 07/2015