

## Caséta® Wireless In-Wall Dimmer PRO

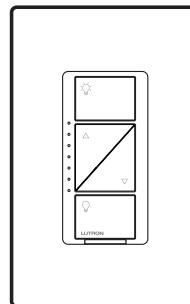
The Caséta® Wireless In-Wall Dimmer PRO controls lighting loads, both directly and remotely when paired with Pico® remote controls, providing a system that delivers convenience and ease of installation.

The Caséta® Wireless In-Wall Dimmer PRO uses Lutron® patented Clear Connect® RF Technology which enables wireless communication with Pico® remote controls and the Lutron® Smart Bridge and Smart Bridge PRO.

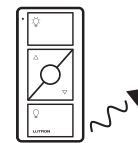
### Features

- The Caséta® Wireless In-Wall Dimmer PRO provides dimming of multiple load types and, when paired with Pico® remote controls, allows remote control from anywhere in the space.
- When used with the Lutron® Smart Bridge or Smart Bridge PRO, the Caséta® Wireless In-Wall Dimmer PRO may be programmed via the Lutron® app, incorporated into lighting scenes, scheduled for daily events, and controlled from anywhere in the world<sup>1</sup>.
- Lutron® patented Clear Connect® RF Technology works through walls and floors.
- Includes Front Accessible Service Switch (FASS™) for safe lamp replacement.
- Neutral-optional dimmer is ideal for retrofit applications when used in two-wire mode, and provides better performance with LEDs when neutral is connected.
- Compatible with Lutron® Hi-lume® A-Series LTE 2-wire LED driver, PHPM interfaces (for large wattage loads and/or ELV loads) and GRX-TVI interfaces (for 0-10 V<sub>AC</sub> driver loads). Neutral wire is required for drivers and interfaces (for 0-10 V<sub>AC</sub> driver loads).
- Works with compatible dimmable screw-in LEDs as well as incandescent, halogen, and halogen-based MLV loads (neutral wire required for MLV).
- Compatible with dimmable ballasts.

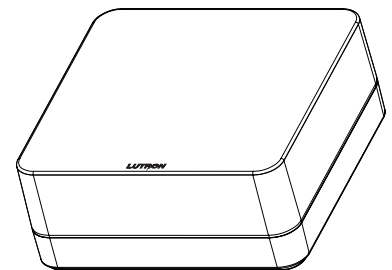
Caséta® Wireless In-Wall Dimmer PRO



Pico® Remote Control



Lutron® Smart Bridge and Smart Bridge PRO



### Load Types and Capacity<sup>2</sup>

See [www.casetawireless.com/bulblast](http://www.casetawireless.com/bulblast) for the latest list of compatible bulbs.



**Compatible Dimmable LED (screw-in)**  
Up to 250 W



**MLV Halogen**  
Up to 1000 VA



**Halogen**  
Up to 1000 W



**Incandescent**  
Up to 1000 W

<sup>1</sup> The Lutron® app is required for setup and use with the Smart Bridge and Smart Bridge PRO. The Lutron® app is compatible with iOS® devices version 6.0 or later and Android® devices 4.0 or later.

<sup>2</sup> See **Ganging and Derating** section.

iOS is a registered trademark of Cisco in the U.S. and other countries and is used under license. Android is a registered trademark of Google Inc.

Job Name:	Model Numbers:
Job Number:	

## Specifications

### Regulatory Approvals

- cULus Listed
- NOM certified
- FCC approved. Complies with the limits for a Class B digital device, pursuant to Part 15 of the FCC Rules
- Industry Canada certified
- IFTTEL certified

### Power

- Operating voltage: 120 V~ 50/60 Hz

### Key Design Features\*

- Tested to withstand electrostatic discharge without damage or memory loss, in accordance with IEC 61000-4-2.
- Tested to withstand surge voltages without damage or loss of operation, in accordance with IEEE C62.41-1991 Recommended Practice on Surge Voltages in Low-Voltage AC Power Circuits.
- Dimmers always operate locally and do not require system control.
- Power failure memory: should power be interrupted, the control will return to its previously set level prior to the interruption when power is restored.
- Uses Lutron® Claro® wallplates or designer-style wallplates from other manufacturers. Wallplates are sold separately.
- Lutron® Claro® seamless wallplates snap on with no visible means of attachment.
- Multi-gang seamless wallplates are available up to 6-gang in matching colors (see page 6)
- Dimmers require a 1-gang U.S. wallbox. 3½ in (89 mm) deep recommended, 2¼ in (57 mm) deep minimum.
- Green LEDs indicate load status.

### System Communications and Capacity

- The Caséta® Wireless In-Wall Dimmer PRO communicates with Pico® remote controls and Lutron® Smart Bridge or Smart Bridge PRO via Radio Frequency (RF).
- The Caséta® Wireless In-Wall Dimmer PRO communicates with Lutron® Radio Powr Savr™ Occupancy and Vacancy Sensors in a standalone application. Sensors do not work with Smart Bridge or Smart Bridge PRO.
- The Caséta® Wireless In-Wall Dimmer PRO must be located within 60 ft (18 m) line-of-sight or 30 ft (9 m) through walls, of Pico® remote controls and Smart Bridge or Smart Bridge PRO.

### Device limits

- Pico® remote controls only: up to 10 Pico® remote controls may be paired to each Caséta® Wireless In-Wall Dimmer PRO (with no Smart Bridge installed).
- Smart Bridge or Smart Bridge PRO system: up to 50 total wireless devices (Caséta® Wireless dimmers/switches, Pico® remote controls) are supported per system. Smart Bridge or Smart Bridge PRO counts as one device.
- Caseta® Wireless In-wall dimmer PRO has load type and capacity limits (see page 4)

### Environment

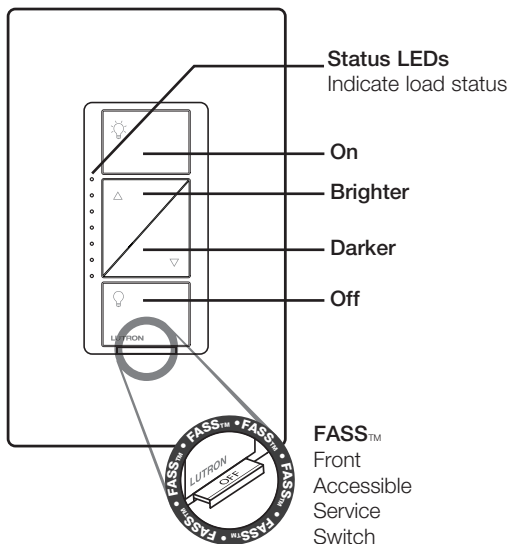
- Ambient operating temperature: 32 °F to 104 °F (0 °C to 40 °C), 0%-90% humidity, non-condensing. Indoor use only.

\* For advanced features, tips on how to use Caséta® Wireless dimmers with LEDs, the complete Caséta® Wireless product line, and more, please visit [www.casetawireless.com/features](http://www.casetawireless.com/features)

Job Name:	Model Numbers:
Job Number:	

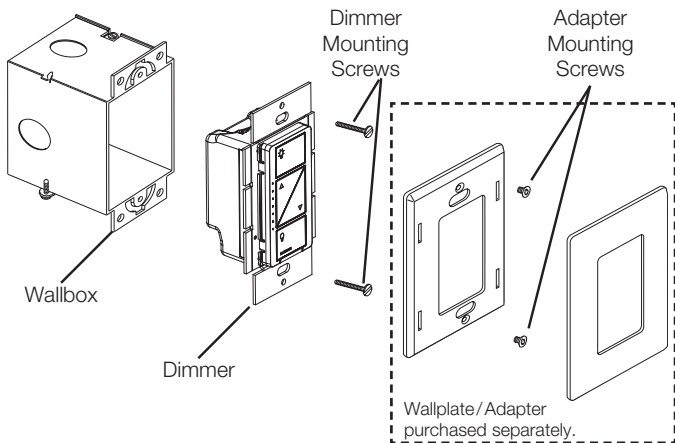
## Operation

In-Wall Dimmer PRO



**IMPORTANT NOTICE:**  
**FASS™** – Front Accessible Service Switch – to service load, remove power by pulling the FASS™ out completely on dimmer. After servicing load, push the FASS™ back in fully to restore power to the control.

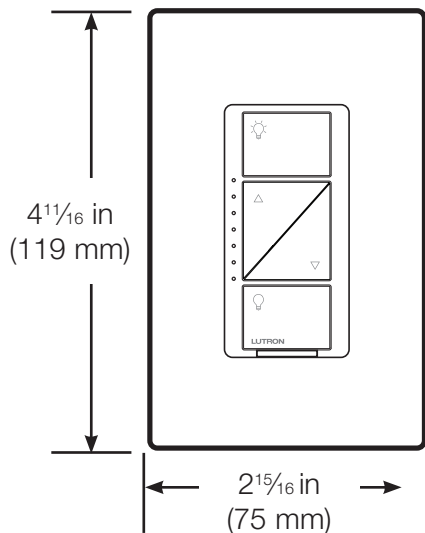
## Mounting



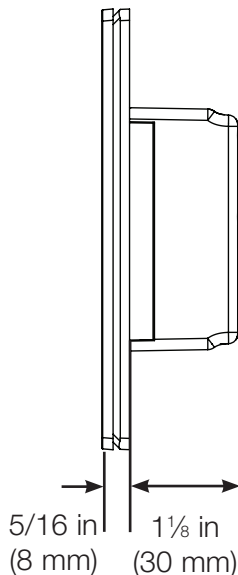
Job Name:	Model Numbers:
Job Number:	

## Dimensions

Front View

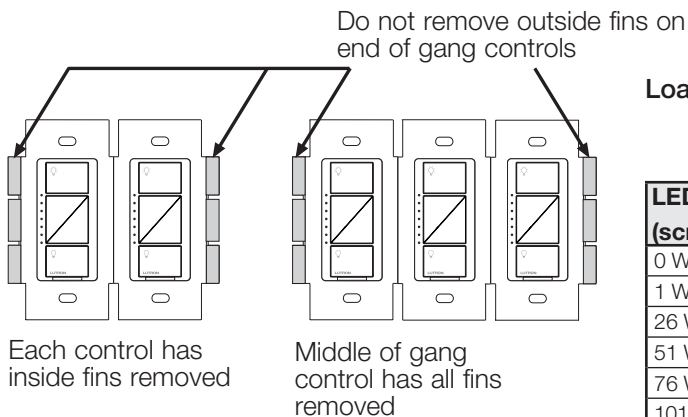


Side View



## Ganging and Derating

When ganging with other controls in the same wallbox, derating is required. See Load Type and Capacity chart.



Load Type and Capacity\*

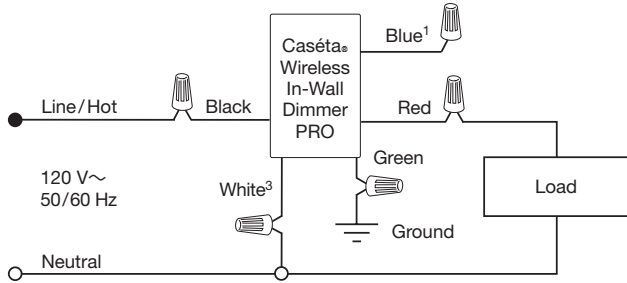
LED Total Wattage (screw-in LEDs)		Incandescent / Halogen Total Wattage		
		A	B	C
0 W	+	1000 W	800 W	600 W
1 W – 25 W	+	900 W	750 W	550 W
26 W – 50 W	+	800 W	700 W	500 W
51 W – 75 W	+	700 W	600 W	450 W
76 W – 100 W	+	600 W	500 W	400 W
101 W – 125 W	+	500 W	400 W	300 W
126 W – 150 W	+	400 W	300 W	200 W
151 W – 175 W	+	300 W	200 W	100 W
176 W – 200 W	+	200 W	100 W	50 W
201 W – 225 W	+	100 W	50 W	0 W
226 W – 250 W	+	0 W	0 W	0 W

- Mixing bulb types (using a combination of LED and incandescent/halogen bulbs) reduces maximum wattage as shown in the chart above.
  - In-Wall Dimmer PRO has a minimum load requirement of 10 W with neutral connected (25 W without neutral) or one bulb from the compatible bulb list.
- \* See [www.casetawireless.com/bulblast](http://www.casetawireless.com/bulblast) for the latest list of compatible bulbs.

Job Name:	Model Numbers:
Job Number:	

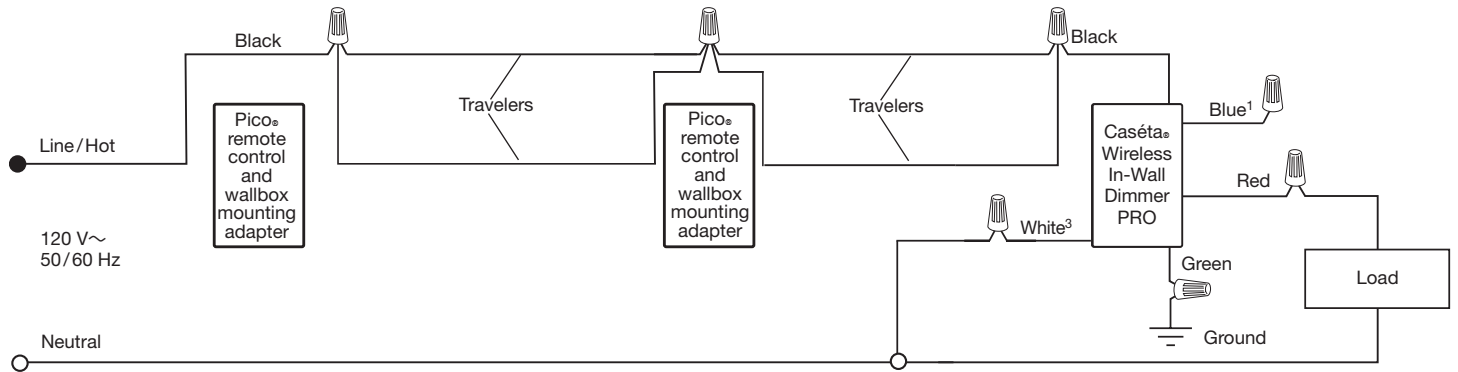
# Wiring Diagrams

## Single Location Installation



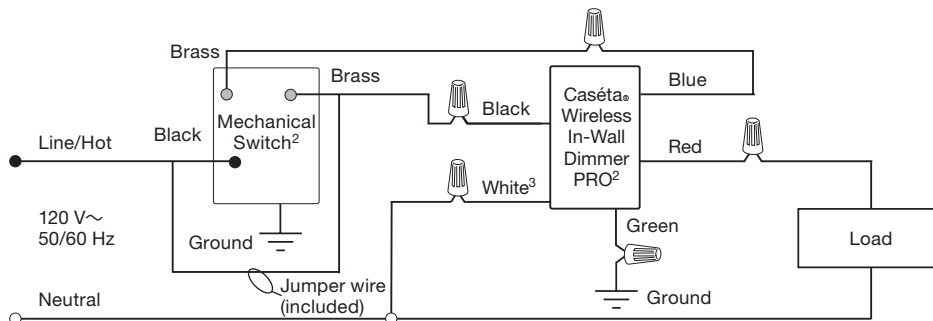
## Multi-Location Installation

With Pico® remote controls (PJ2-XX-XX) and wallbox mounting adapters (PICO-WBX-ADAPT)



## 3-Way Installation

With mechanical switch



<sup>1</sup> When using controls without mechanical 3-way switch, cap the blue terminal. **Do not** connect the blue wire to any other wiring or to ground.

<sup>2</sup> Location of Caséta® Wireless In-Wall Dimmer PRO and mechanical switch may be reversed.

<sup>3</sup> Neutral connection optional except for MLV loads, LED drivers, and power modules (PHPM-PA, PHPM-3F, and GRX-TVI).

Continued on next page...

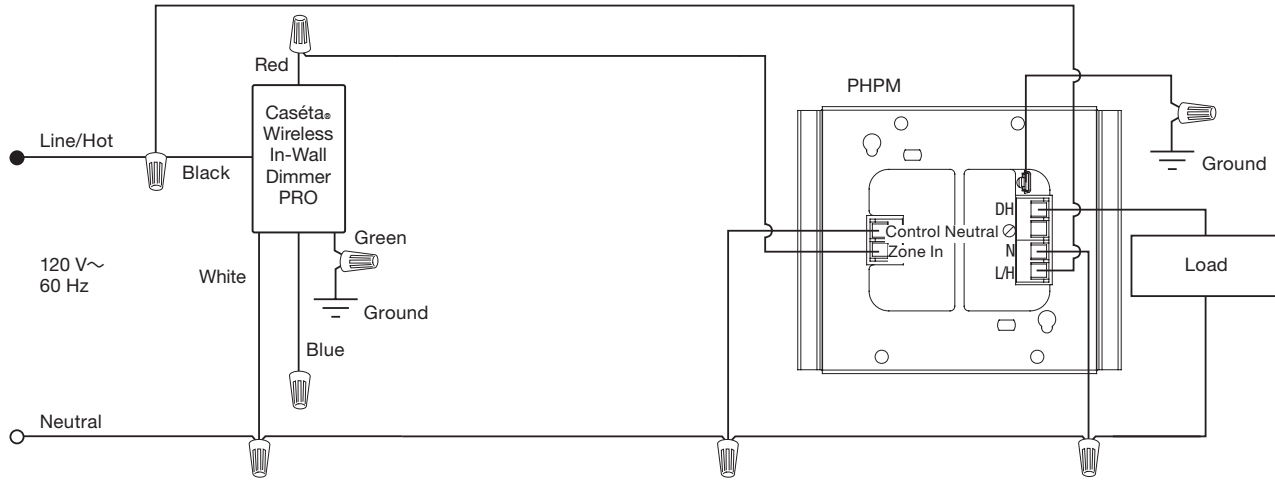
**LUTRON** SPECIFICATION SUBMITTAL

Page

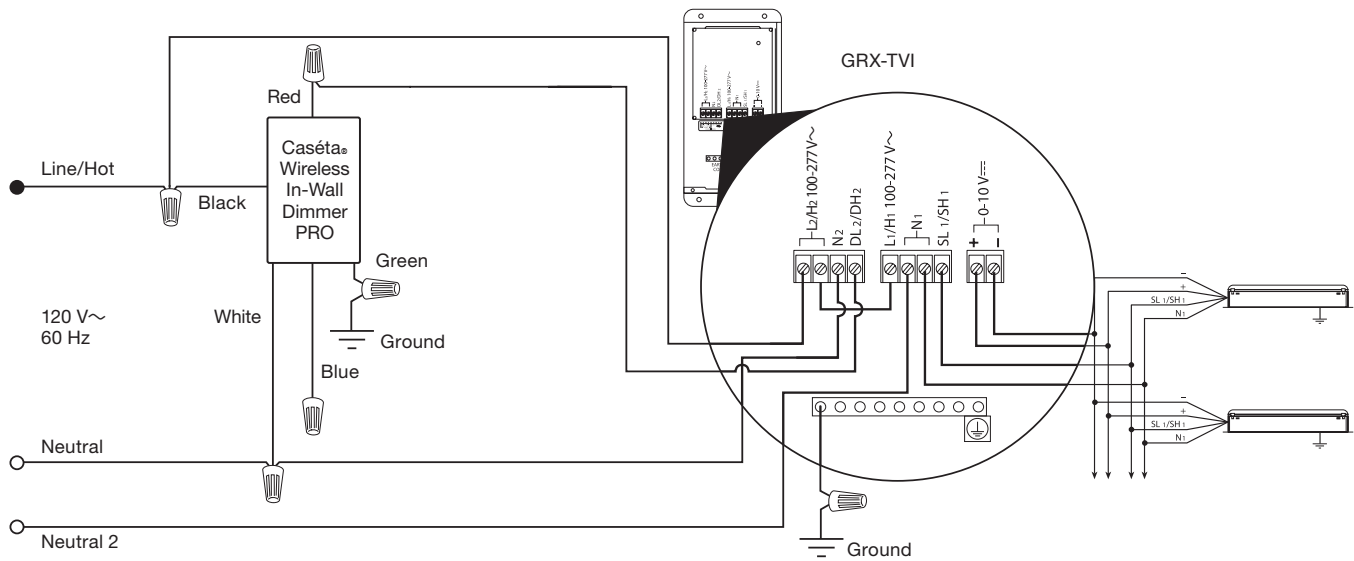
Job Name:	Model Numbers:
Job Number:	

## Wiring Diagrams (cont.)

### Installation with PHPM - Neutral required<sup>1</sup>



### Installation with GRX-TVI - Neutral required<sup>2</sup>



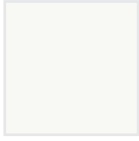
<sup>1</sup> See Lutron® P/Ns 369356 and 369355 for additional wiring diagrams.

<sup>2</sup> See Lutron® P/N 369247 for wiring additional diagrams.

Job Name:	Model Numbers:
Job Number:	

## Colors and Finishes

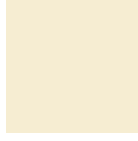
### Gloss Finishes



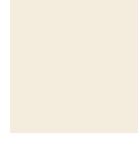
White  
WH



Black  
BL



Ivory  
IV



Light Almond  
LA

Due to printing limitations, colors and finishes shown cannot be guaranteed to perfectly match actual product colors.

Job Name:	Model Numbers:
Job Number:	