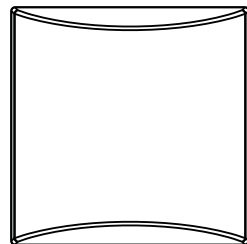
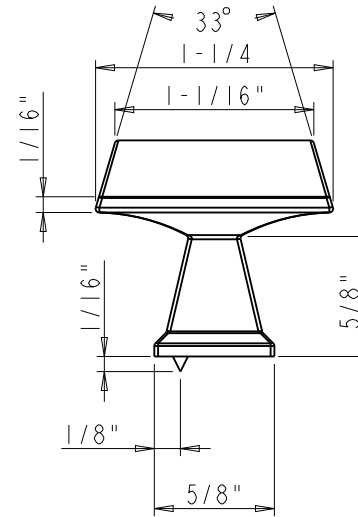
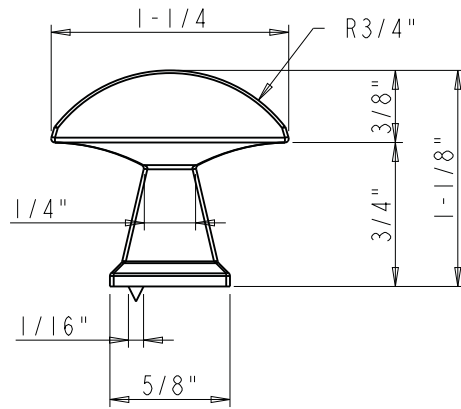
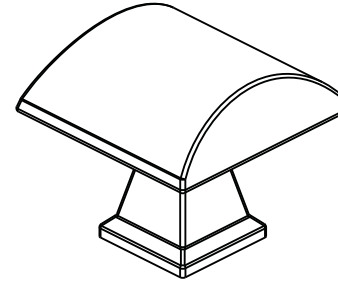
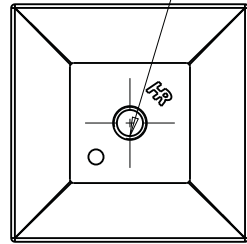



8-32 UNC
Minimum thread depth 1/2"



 PROPRIETARY AND CONFIDENTIAL THE INFORMATION CONTAINED IN THIS DRAWING IS THE SOLE PROPERTY OF HARDWARE RESOURCES INC. ANY REPRODUCTION IN PART OR AS A WHOLE WITHOUT THE WRITTEN PERMISSION OF HARDWARE RESOURCES INC. IS PROHIBITED.	ITEM#: KNOB-33-DEGREE		MATERIAL: ZINC		
	FINISH:		WEIGHT: 60 g		
	TOLERANCE UNLESS OTHERWISE SPECIFIED: X ±0.20 X.X ±0.10 X.XX ±0.05 ANGULAR: ±0.5°		UNITS:	DRAWN BY: Hugo.cai	
	DO NOT SCALE DRAWING		DATE: Apr-20-18	DATE:	
		SIZE:	APPROVED BY:	DATE:	
		SHEET:	RELEASE LEVEL:	REVISION:	