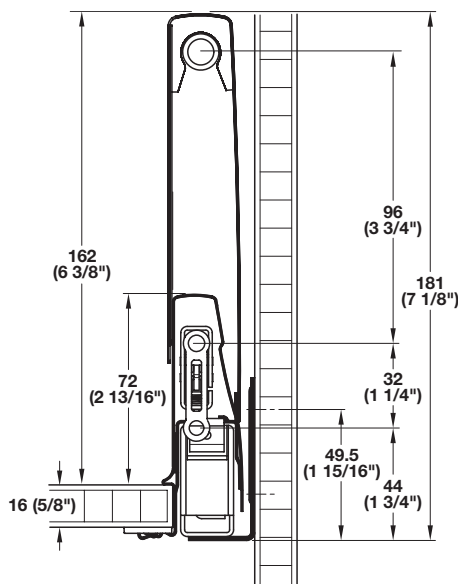
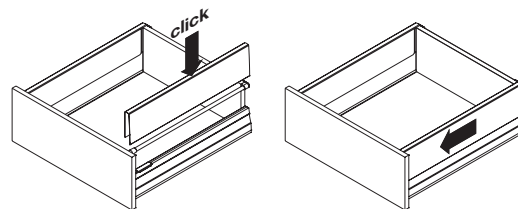


Häfele MX

- Quickly and simply extends the height of the drawer by clipping over the railing and onto the drawer side profile
- Panel finish matches perfectly to the profile
- Refer to Section 3 - Drawer Organization for accessories



Height Extension Panel

Material: Steel, epoxy-coated

Length	Anthracite	Champagne	White
270 (10 5/8")	551.60.300	553.60.800	553.60.600
300 (11 13/16")	551.60.301	553.60.801	553.60.601
350 (13 3/4")	551.60.302	553.60.802	553.60.602
400 (15 3/4")	551.60.303	553.60.803	553.60.603
450 (17 11/16")	551.60.304	553.60.804	553.60.604
500 (19 11/16")	551.60.305	553.60.805	553.60.605
550 (21 5/8")	551.60.306	553.60.806	553.60.606
600 (23 5/8")	551.60.307	553.60.807	553.60.607
650 (25 9/16")	551.60.308	553.60.808	553.60.608

8

Dimensional data not binding. We reserve the right to alter specifications without notice.

You can change the look of your drawer and optimize storage space in three simple steps.

Drawer Side Profile



Drawer Side Profile, Railing and Cross Rail



Drawer Side Profile, Railing and Height Extension Panel



Note

Cross Rail cannot be used with height extensions.

Dimensions in mm
 Inches are approximate