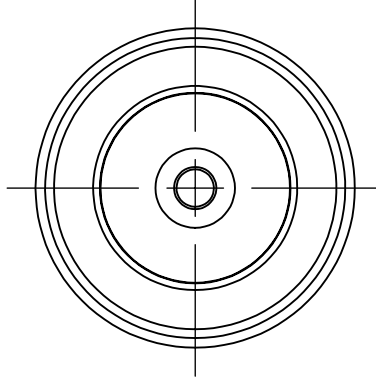




# INSTALLATION INSTRUCTIONS

## Step 1: Drill holes for the desired location.

Determine your desired location for installation and make a mark for the location. Make mark where mounting screw will be placed as shown below. Drill hole at the mark.



## Step 2: Pull Mounting

Place Pull to the desired location and screw from behind.

