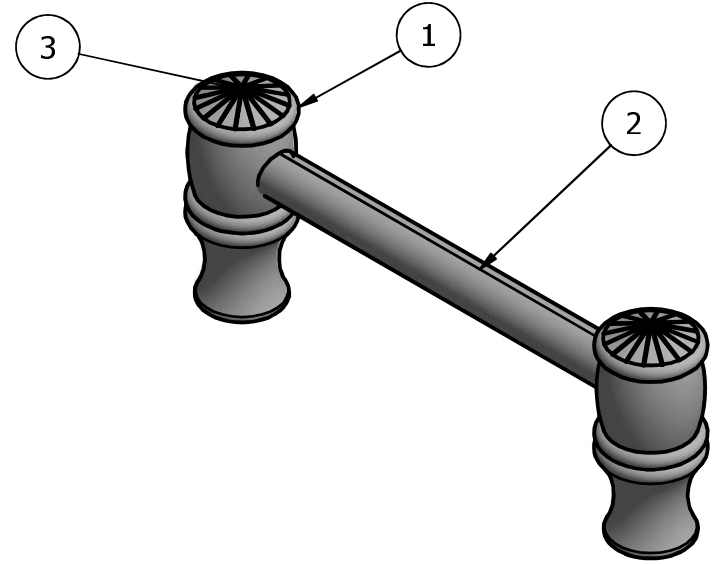
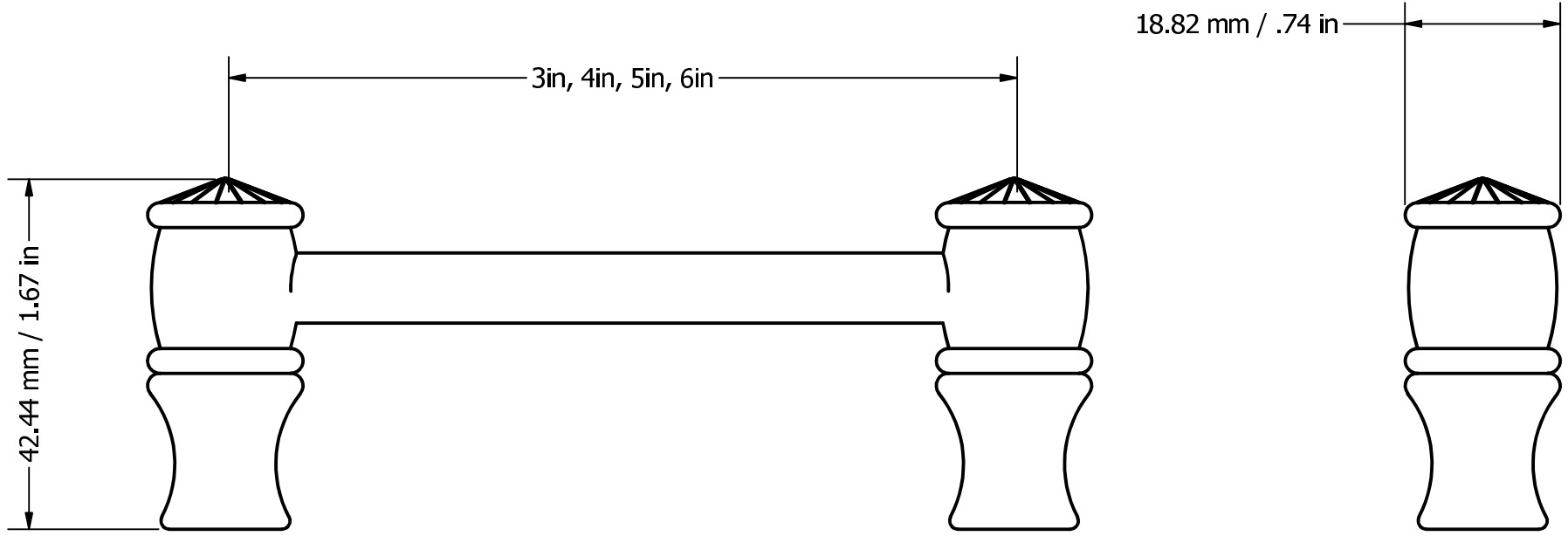


PARTS LIST			
ITEM	QTY	PART NUMBER	DESCRIPTION
1	2	PLPS-1.75	HUB
2	1	TU38-3,4,5,6	TUBE
4	2	CRYSTCAP-14	CRYSTAL CAP



B

B



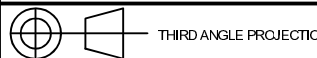
A

A

UNLESS OTHERWISE SPECIFIED	
.X	± .3mm
.XX	± .15mm
.XXX	± .008mm

UNIT IS IN MM.

DRAWN	2-18-20	IM	
CHECKED	2-18-20	P.D.	
APPROVED	2-18-20	R.A.	



MATERIAL:	BRASS	
DESCRIPTION:	Carolina Crystal Collection Cabinet Pull	

**APPROVED FOR PRODUCTION**

By: RICHARD PAUL  
Date: 2-18-20

FINISH	TBD
QTY	TBD
DRAWING NO.	CC-30
SCALE	1.5:1 SHEET: 1 OF 1 A4

2

1

