

OPERATION

To operate, plug the cord into a 120v outlet and turn the Warmrail on at the switch.

Your Warmrail costs less or similar to run to a regular light bulb. It will take approximately 45 minutes for the Warmrail to reach its operating temperature, although this time will be shorter if towels are in place.

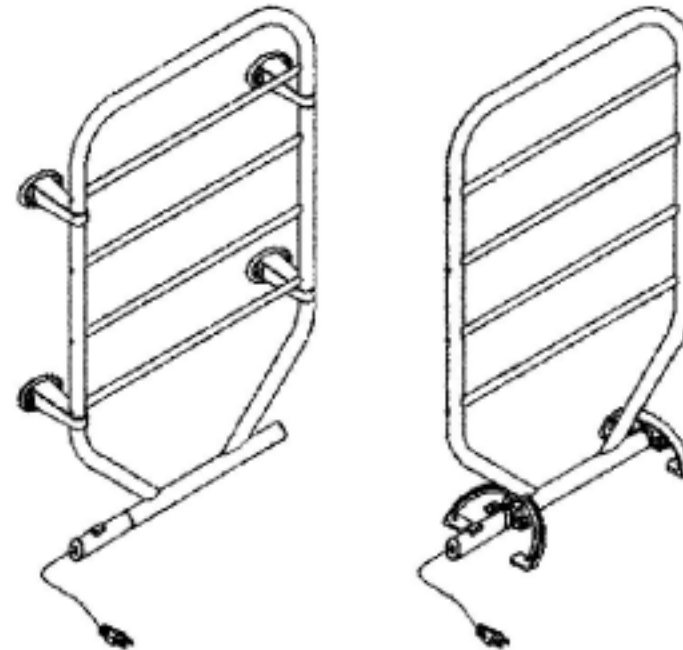
The Warmrail operates with a fixed power output. However, when operated with several layers of towels over the Warmrail, the temperature will increase. Once the towels are removed and the rails are exposed, the temperature of the Warmrail will quickly drop back.

Please note: damp or wet material that has either been dyed, or is not colorfast, can cause discoloration in the finish if that material is draped over a Heated Towel Stand while hot. Again, it is suggested that items are dried by using a completely protective layer of material such as a towel underneath.

Warning – this appliance is intended only for drying textiles washed in water. Fabrics that contain soap or detergent residue may show what appears to be scorch marks. However this is simply the discoloration of residue.

Warmrails does not accept responsibility for any damage, discoloration or other damage to any item regardless of circumstance. To reduce the possibility of damage, do not place any items other than towels directly on the Heated Towel Stand – always have a completely protective layer of towels between the Heated Towel Stand and any other item.

TRADITIONAL INSTRUCTION MANUAL

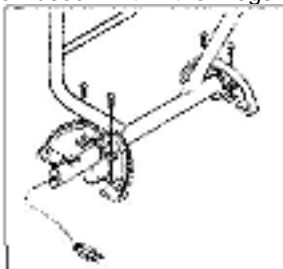


ASSEMBLY

This appliance must be used in accordance with any prevailing electrical code and relevant electrical wiring rules and regulations and in particular those regulations that cover use of appliances and accessories in damp situations such as bathrooms, showers, laundries and other areas with fixed water containers.

FREESTANDING OPTION

- Your Warmrail comes complete with four short screws and two brackets which you will find in a small plastic bag. Use the screws to secure the legs to the Warmrail.
- To assemble, first remove the four screws and the brackets from the plastic bag.
- Hold the Warmrail upside down (perhaps leaning it against a chair) and position the legs so that the feet are facing outwards from the center of the base of the towel stand (refer to the illustration). Line the screw holes in the bracket up with those in the legs and using a Phillips screwdriver, tighten the screws until the legs are firmly attached to the base of the Warmrail.
- The Warmrail must only be used with the legs properly fitted.



WALL MOUNT OPTION

- Position wall brackets on the Warmrail (refer to the diagram on the front of the instruction manual for suggested bracket placement).

- The locking clip will only slide one way to attach to the wall bracket. So test it on the wall bracket before you position them on the Warmrail. Once you have established which direction the locking clip slides onto the wall bracket, place the wall bracket in the correct position on the Warmrail. Press the locking clip onto the bar (to the side of the wall bracket so that it will enable you to slide the clip onto the wall bracket). Then slide across until the locking clip is flush with the wall bracket.
- With the wall brackets in the correct position, hold the Warmrail against the wall at the location you would like it to be installed.
- Use a pencil or pointed tool to mark the location of the screw holes spaces onto the wall through the screw holes in the wall brackets. Put the Warmrail aside and drill pilot holes through the marks you have made on the wall.
- Where a stud is conveniently located, you can just use the screws to attach the wall bracket. For the remaining wall brackets, use the wall anchors supplied to firmly anchor the screws into the dry wall.
- Push the anchors into the dry wall (you may need to make larger pilot holes where the wall anchors are located).
- Put the screws through the holes in the wall brackets, and then hold the Warmrail back in position on the wall.
- Tighten the screws until the wall brackets are flush against the wall. Use the round plugs to cover the screw holes in the wall bracket.
- Once the legs are securely attached, or the unit is attached to the wall, the Warmrail can be plugged into an electrical outlet (we recommend using a GFI protected outlet). Push the on/off switch so that the light is illuminated and your Warmrail is ready for use.
- Remember, Warmrails are so energy efficient, you can leave them running continuously.

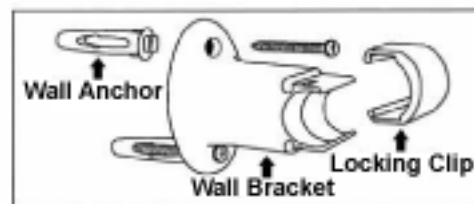


Figure 1

SAFETY INFORMATION

When using any electrical appliance, basic safety precautions should always be observed.

READ THESE INSTRUCTIONS CAREFULLY

- Do NOT use this appliance for other than its intended use.
- To avoid a hazard, the Heated Towel Stand MUST NOT be used to hold towels or any other articles that have been in contact with oil, petroleum based products or dry cleaning fluids.
- Use this appliance only on the voltage specified on the rating plate, or elsewhere in the instructions.
- Regulations require that only authorized persons carry out electrical work. For your own safety and that of others, ensure this is done.
- Do NOT store your Heated Towel Stand while hot or still connected to the power supply.
- Do NOT immerse the heated Towel Stand in water or any other liquid.
- Do NOT allow the cord set to come into contact with heated surfaces during operation.
- This product should NOT be used outdoors.

If the power supply cord for this equipment becomes damaged it must be replaced with the special cord or assembly. Special tools are required for the replacement of the power supply cord and element. A qualified electrician must undertake this replacement.

WARNINGS

HIGH OPERATING TEMPERATURE:

- This towel warmer operates at high temperatures that can cause burns.
- Do not touch surfaces of the towel warmer while the warmer is in operation.

- Do not allow unsupervised children in the vicinity of the towel warmer; and warn children of hot surfaces.

TO AVOID THE POSSIBILITY OF ELECTROCUTION:

- Do not immerse towel warmer in water or any other liquid.
- Do not place towel warmer in a location where it may fall into a tub or shower, or otherwise become immersed in water; and if the towel warmer falls into water, immediately unplug it. Do not reach into the water.

SPECIFICATIONS

<u>MODEL</u>	<u>HEIGHT</u>	<u>WIDTH</u>	<u>DEPTH</u>
FREESTANDING	34-1/4"	21"	8-1/4"
WALL MOUNTED	32-3/4"	21"	3-3/4"

CARE

The Warmrail should be wiped down from time to time with a damp cloth.

Do not use any abrasive or corrosive cleaners.