

VIGO INDUSTRIES INSTALLATION GUIDE FOR SHOWER ENCLOSURE (MODEL VG06051)

SAFETY PRECAUTIONS

This Installation Guide uses the following symbols to indicate important information. Always observe the instructions indicated by these symbols.

WARNING

Instructions that, if ignored, could result in death or serious personal injury caused by incorrect handling or installation of the product. These instructions must be observed for safe installation.

CAUTION

Instructions that, if ignored, could result in personal injury or material damage caused by improper handling or installation of the product. These instructions must be observed for safe installation.

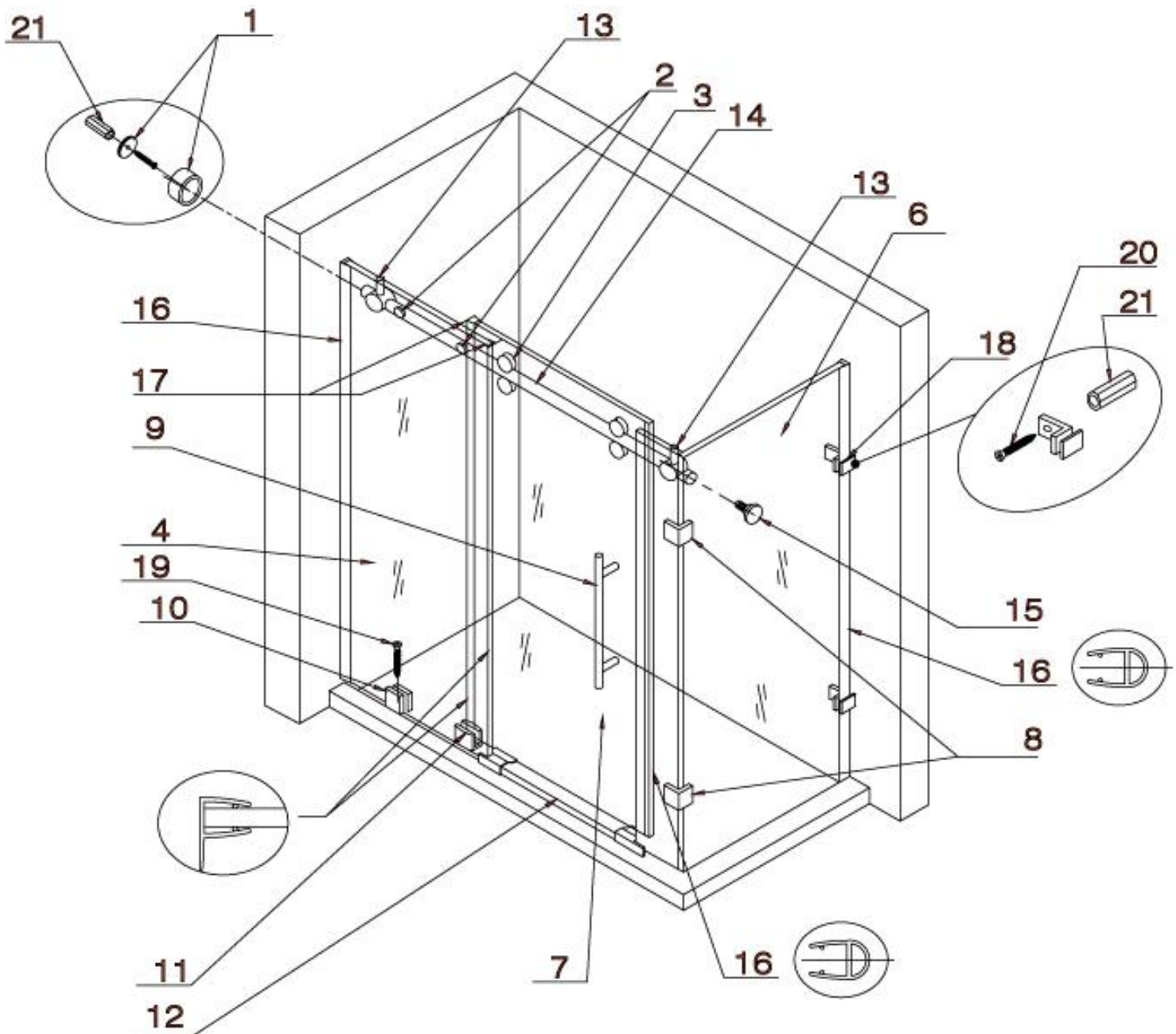
IMPORTANT

Maintenance and other important non-personal injury and non-material damage instructions or statements that should be observed.

VIGO INDUSTRIES INSTALLATION GUIDE FOR SHOWER ENCLOSURE (MODEL VG06051)








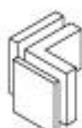



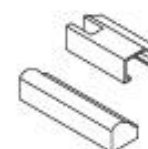





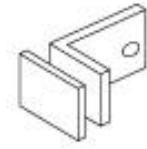



PACKING LIST:

- | | | |
|----------------------------------|-----------------------------------|---------------------------------|
| 1. Wall mount bracket (1pc) | 8. Corner bracket (2pc) | 15. Structural rail screw (1pc) |
| 2. Fixed panel holders (2pc) | 9. Handle assembly (1pc) | 16. Side seal strip (3pc) |
| 3. Rollers (4pc) | 10. Fixed panel bottom clip (1pc) | 17. Door seal strip (4pc) |
| 4. Big front fixed panel (1pc) | 11. Bottom door guide (1pc) | 18. Glass support (2pc) |
| 5. Small front fixed panel (1pc) | 12. Door threshold (1pc) | 19. Phillips screw 1-1/8" (3pc) |
| 6. Side glass panel (1pc) | 13. Door stopper (2pc) | 20. Phillips screw 2" (3pc) |
| 7. Door (1pc) | 14. Structural rail (1pc) | 21. Plastic anchors (6pc) |

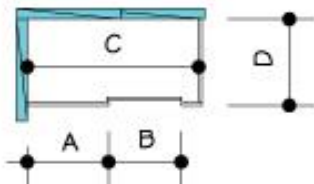


GLASS THICKNESS 3/8"

MODEL VG06051

<p>1. WALL MOUNT BRACKET ASSEMBLY 98018</p> 	<p>2. FIXED PANEL HOLDER 98026</p> 	<p>3. ROLLERS 98020</p> 	<p>4. BIG FRONT FIXED PANEL 97017-38</p> 	<p>5. SMALL FRONT FIXED PANEL 97018</p> 
<p>6. SIDE GLASS PANEL 97019-48 97019-60</p> 	<p>7. DOOR 97020-48 97020-60</p> 	<p>8. CORNER BRACKET 98027</p> 	<p>9. HANDLE ASSEMBLY 98021</p> 	<p>10. FIXED PANEL BOTTOM CLIP 98025</p> 
<p>11. BOTTOM DOOR GUIDE 98029</p> 	<p>12. DOOR THRESHOLD 98007-48 98007-60</p> 	<p>13. DOOR STOPPER 98024</p> 	<p>14. STRUCTURAL RAIL 98030-48 98030-60</p> 	<p>15. STRUCTURAL RAIL SCREW 98031</p> 
<p>16. SIDE SEAL STRIP</p> 	<p>17. DOOR SEAL STRIP 98013</p> 	<p>18. GLASS SUPPORT 98010</p> 	<p>19. PHILLIPS SCREW 1 1/8"</p> 	<p>20. PHILLIPS SCREW 2"</p> 
<p>21. PLASTIC ANCHORS</p> 				

LIST DIMENSIONS	DIM. 'A'	DIM. 'B'	DIM. 'C'	DIM. 'D'	HEIGHT
36X48	20 1/2"	24 5/8"	46 9/16"	32 3/8"	74"
36X60	26 7/16"	30 9/16"	58 7/16"	32 3/8"	74"



⚠ WARNING

WE STRONGLY RECOMMEND THAT A LICENSED PLUMBER INSTALL THIS STANDING SHOWER CABIN AND INCLUDE THE ASSISTANCE OF A SECOND PERSON TO INSTALL THE DOOR UNIT.

INSTALLATION OF THE SHOWER DOORS BY AN INEXPERIENCED PERSON MAY RESULT IN GLASS BREAKAGE AND, CONSEQUENTLY, CAUSE PERSONAL INJURY OR DEATH.

BEFORE STARTING

Compare items on your invoice with what you have received. Carefully review the Packing List on page 2.

If any item is missing, please call Vigo Industries at 1-866-591-7792.

REQUIRED TOOLS

- Square and/or Phillips #1 and #2 screwdriver
- Flat head screwdriver
- Electric drill plus a 1/8", 3/16", or 7/32" drill bit (depending on wall)
- Level
- Measuring Tape
- Pencil (non-permanent; HB)
- Clear silicone caulking
- Utility knife

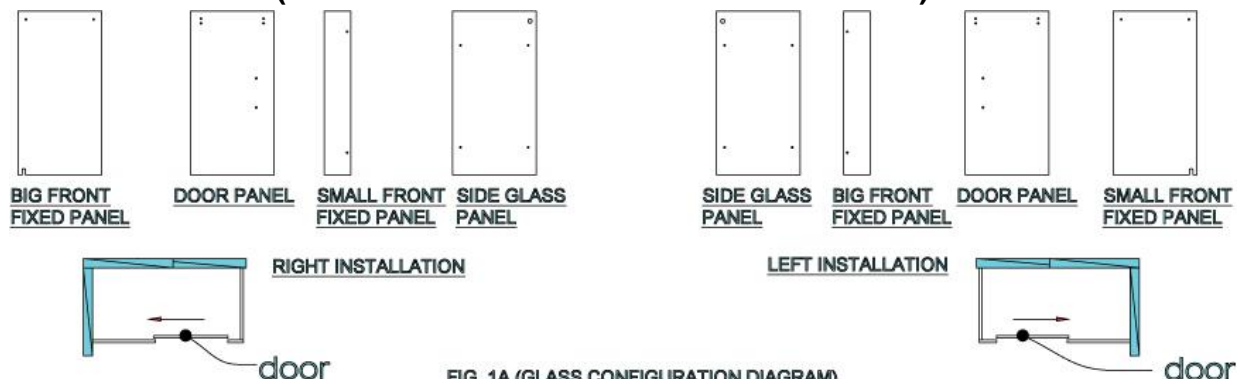
⚠ WARNING

- Handle fragile items with care to prevent personal injury or material damage.
- Glass on panels and doors is tempered glass and must never be cut to prevent personal injury.

⊘ IMPORTANT

- Fiberglass or acrylic construction might not be sufficiently strong enough to support the shower door enclosure. You should use the wood framing from behind the face edge of the stall to provide a secure mounting to the door. Apply a bead of silicone between the walls and base of the stall.
- For optimum performance, you should install the shower door perfectly level on a level surface.

MODEL VG06051 HAS A REVERSIBLE DOOR AND CAN THEREFORE BE INSTALLED TO EITHER THE RIGHT OR LEFT SIDE (SEE CONFIGURATION DIAGRAM BELOW)

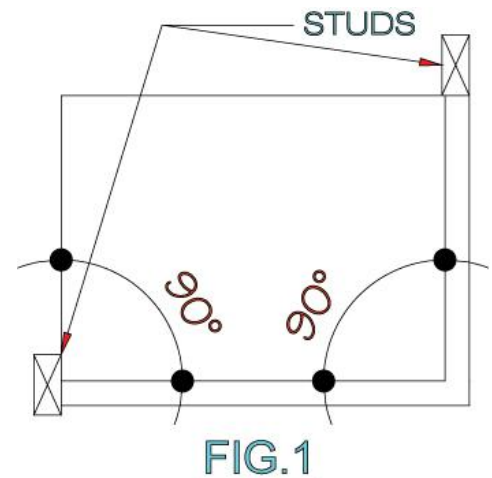


PREPARATION STEPS TO FOLLOW BEFORE INSTALLATION

1. Remove the plastic layer from the base border (if needed). Do NOT remove the plastic layer off the plastic platform of the base.
2. Properly apply silicone to the wall and base joints.

⊘ IMPORTANT

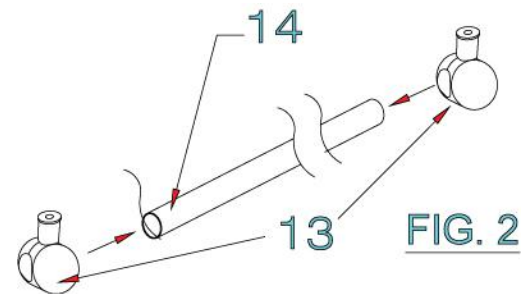
- Verify that the overall size of the shower door opening is appropriate for the shower enclosure. If necessary, cut the structural rail to match the length of the opening (see page 3 diagram).
- Due to individual site variations, exact guidelines for every situation cannot be supplied. The recommended framing and dimensional requirements are shown for a typical application and may vary depending on the site requirements.
- To prevent damage to the finish, you should protect the shower cabin bottom with a cardboard protector before beginning the installation.
- Ensure that there is sufficient structural support behind the shower wall to hold the weight of the shower door. If there is not sufficient enough support, then reinforce the shower walls with wooden studs prior to shower door installation. [SEE FIG.1]



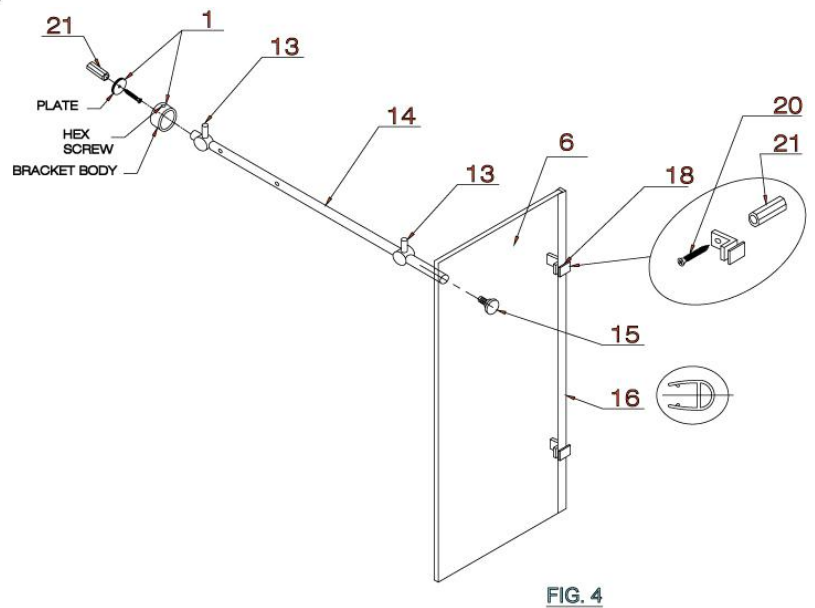
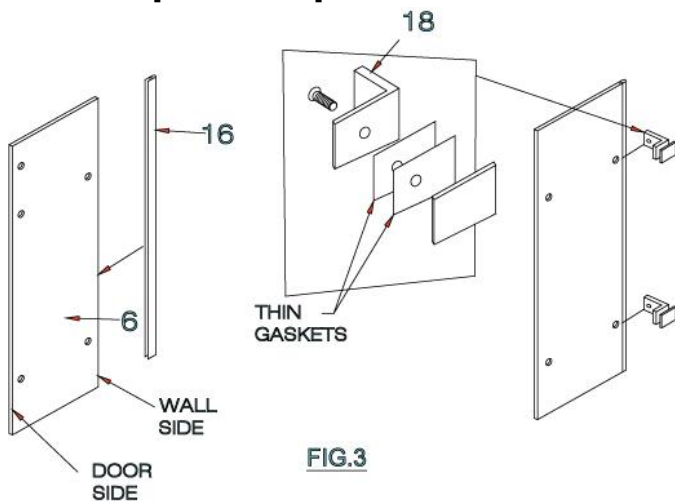
INSTALLATION STEPS

A. INSTALLING THE SIDE GLASS PANEL

1. Arrange the glass panel to the preferred configuration (see diagram on pg. 3).
2. Slide the door stoppers (#13) to the structural rail (#14). [SEE FIG.2]
3. Install the seal strip (#16) from the wall side of the side glass panel (#6). [SEE FIG.3]
4. Screw the glass support (#18) to the side glass panel using the hex key (supplied). Use a washer on each side of the panel.
5. Place the structural rail (#14) inside the wall mount bracket (#1). [SEE FIG.4 & FIG.5]
6. Place the structural rail screw (#15) into the side glass panel and screw together with the structural rail.

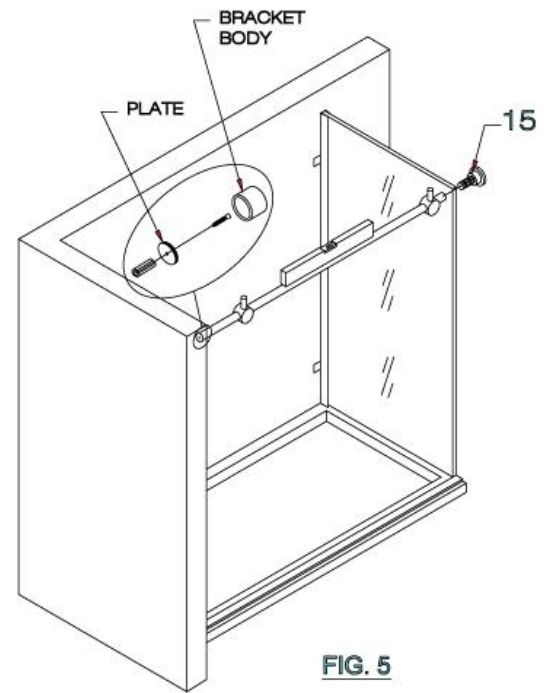


7. Place the side glass panel with the structural rail into desired position. Use the level to correctly position assembly.
8. Mark holes on the wall for the side glass support (#18).
9. Mark the circumference location for the wall mount bracket (#1).
10. Remove the side glass panel (#6) and the structural rail (#14). Drill holes into the wall where marked and place plastic anchors (#21) in them.
11. Unscrew plate from the wall mount bracket body using the hex key (FIG.4).
12. Place the wall mount bracket plate (#1) to the wall and screw in the plate using 1-1/8" screw (#19).
13. Place the side glass panel and the structural rail back to the shower opening.
14. Screw the side glass support to the wall with 2" screw (#20).
15. Tighten the hex screw on the wall mount bracket body and the structural rail screw.
[SEE FIG.4]



B. INSTALLING THE BIG FRONT FIXED PANEL

1. Screw the fixed panel bottom clip (#10) to the big front fixed panel (#4). Place thin gaskets on each side of the panel. [SEE FIG.6]
2. Place the side seal strip (#16) on to the big front fixed panel (#4) from the side of the wall.
3. Place the big front fixed panel on the shower opening.
4. Screw the big front fixed panel to the structural rail (#14) with the fixed panel holders (#2). [SEE FIG.6 & FIG.7]

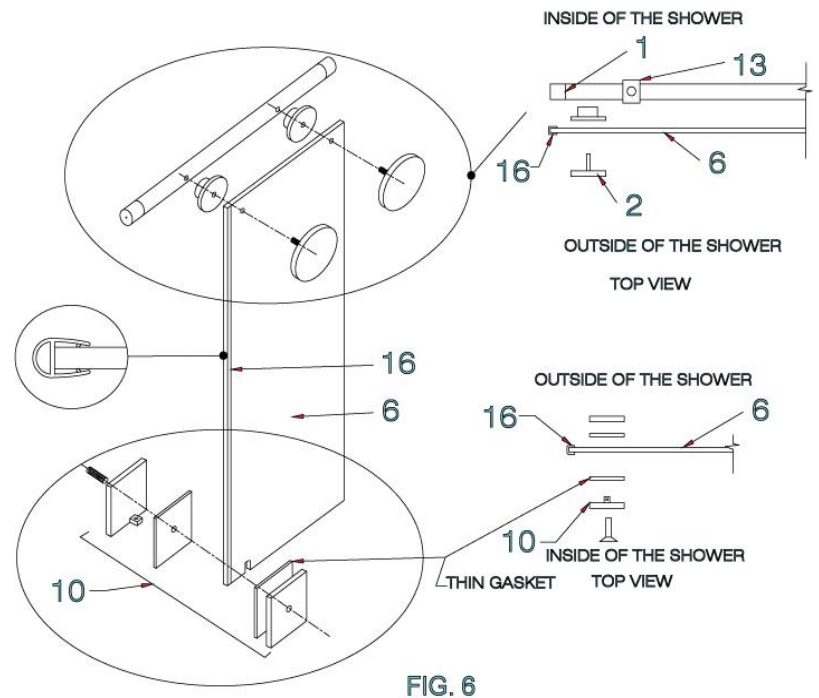


5. Mark the fixed panel bottom clip locations on the floor.
6. Remove the big front fixed panel from the position in the opening.
7. Mark hole on the floor for the mounting screw. Drill the hole and place a plastic anchor (#21) inside it.
8. Unscrew and detach the fixed panel bottom clip from the big front fixed panel.
9. Screw the fixed panel bottom clip to the floor with 1-1/8" screw (#19).

10. Align the big front fixed panel to the shower opening location.

11. Screw the big front fixed panel to the structural rail with the fixed panel holders (FIG.6).

12. Screw the big front fixed panel to the bottom clip.



C. INSTALLING THE SMALL FRONT FIXED PANEL

1. Align the small front fixed panel (#5) to the shower opening.
2. Unscrew the corner brackets (#8). [SEE FIG.8]
3. Align the corner brackets to their respective positions from inside the shower. Place the corner bracket plates on the outside of the shower.
4. Screw in the corner plates to the corner brackets with the provided screws from inside the shower.

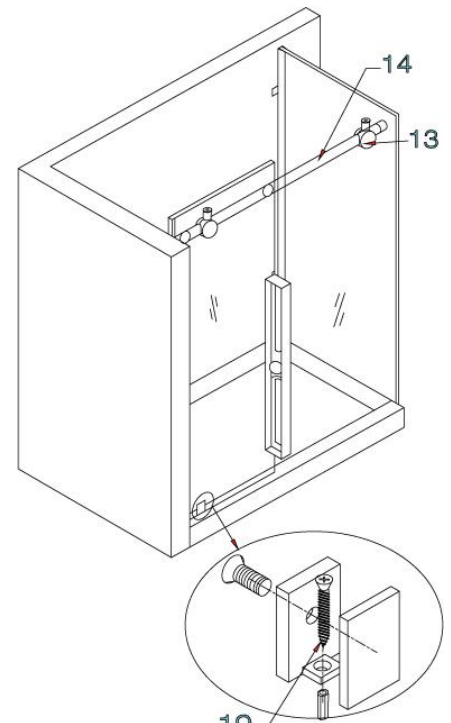


FIG. 7

D. INSTALLING THE THRESHOLD

1. Seal the end cup bottoms with clear silicone caulk.
2. Seal the threshold bottom with clear silicone caulk.
3. Slide the end cups to the small front fixed panel (#5) and big front fixed panel (#4). Align the threshold with the glass.

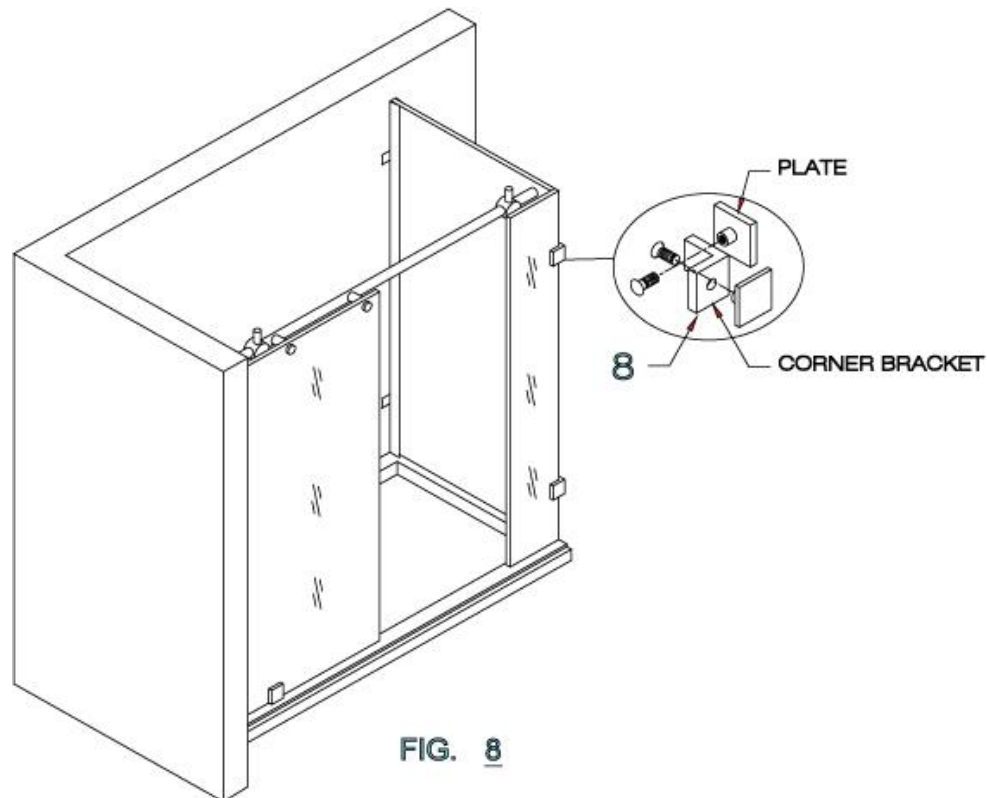
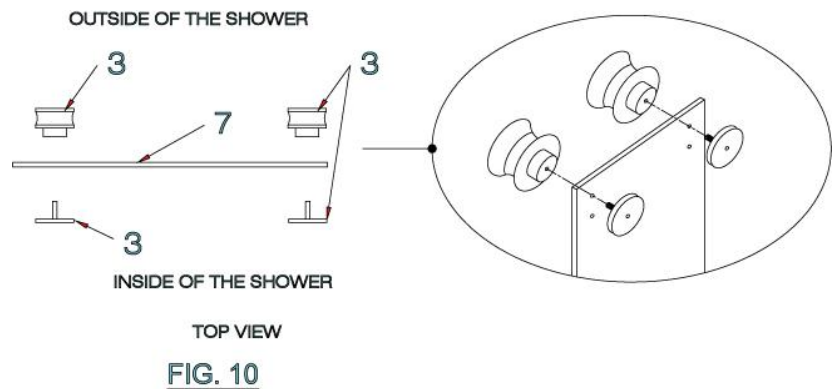
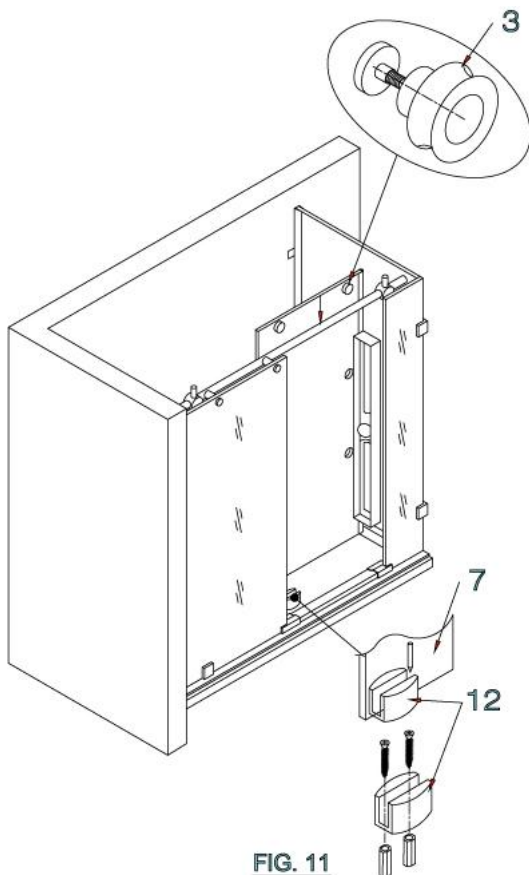
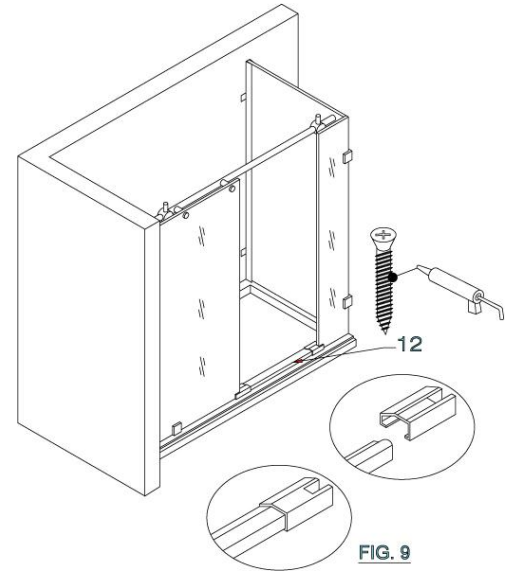


FIG. 8

E. INSTALLING THE DOOR

1. Screw the top rollers (#3) to the door (#7). [SEE FIG.10]
2. Align the door to the structural rail (#14). [SEE FIG.11]
3. Place the bottom door guide (#11) onto the door.
4. Hold the door in the vertical-level position. Mark the location of the bottom door guide on the floor.
5. Remove the door from the structural rail. Mark holes on the floor for the mounting screws. Drill the holes and place plastic anchors (#21) inside them.
6. Screw the door guide to the floor with 1-1/8" screws (#19).
7. Place the door back on the structural rail. Screw the bottom rollers (#3) to the door.



F. INSTALLING THE HANDLE

1. Unscrew the handle holders from the handle (#9).
2. Align the handle to its respective door position with a plastic washer on each side of the door. [SEE FIG.12]
3. Tighten the handle holders from the inside of the shower cabin.

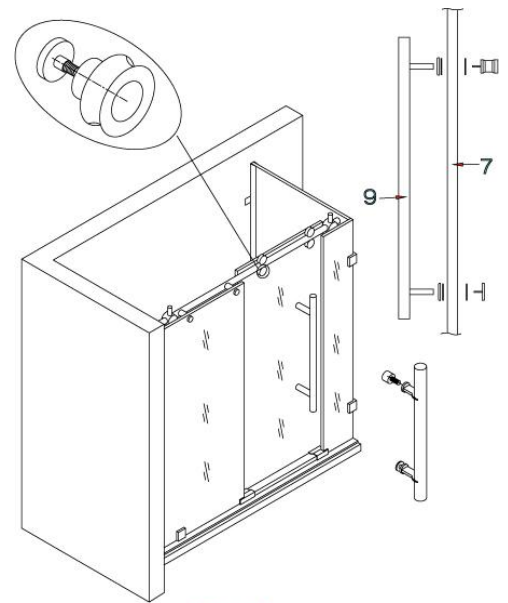


FIG. 12

G. INSTALLING THE WATER SEAL STRIP

Place the seal strip to the door and to the glass. [SEE FIG.13]

H. APPLYING THE SILICONE

1. Apply silicone caulk along the wall and floor of the shower enclosure interior. [SEE FIG.14]
2. Apply silicone caulk along the fixed panel and the threshold of the shower enclosure interior.

■ IMPORTANT

- WAIT 24 HOURS BEFORE USING SHOWER.
- DO NOT ALLOW WATER TO DIRECTLY HIT DOOR SEAL STRIP.

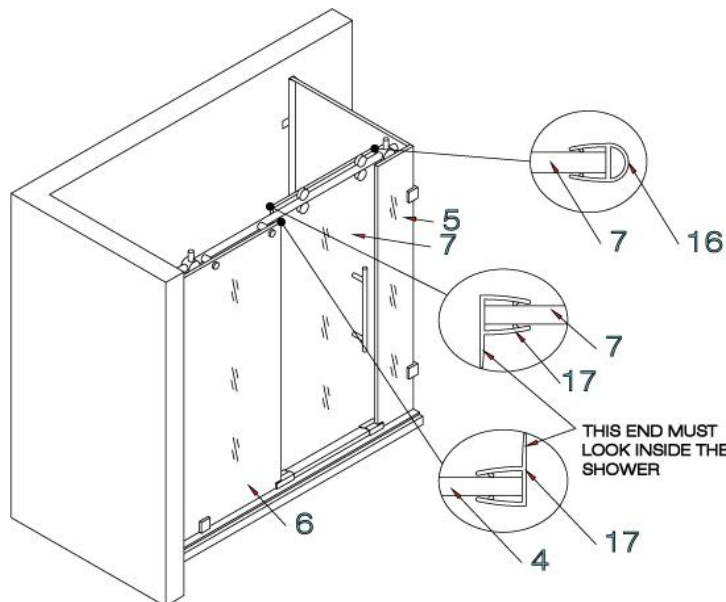


FIG. 13

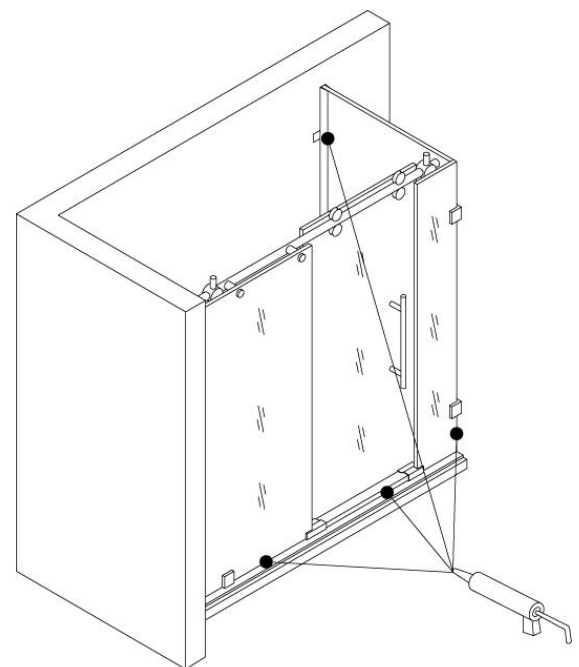


FIG. 14

CLEANING INSTRUCTIONS FOR THE SHOWER CABIN AND DOOR PANEL

- A. Use mild liquid household cleaners to keep metal surface bright and clean. Rinse well and dry with a clean cloth.
- B. Remove dust with a soft, damp cloth.
- C. Use rubbing alcohol to clean and remove grease, oil, paint, and ink.
- D. Accidental scratches or stains will rarely show. If they do show, they can be easily removed with a liquid automobile polish.

⚠ IMPORTANT

- **Do NOT use** abrasive cleaners, scrapers, metal brushes, or any items/products that would scratch and/or dull surface.
- **Do NOT allow** surface to come into contact with acetone (nail polish remover), dry cleaning solution, lacquer thinner, gasoline, or any other similar product.

LIMITED WARRANTY

VIGO offers the following express limited warranty on each of its products. This warranty extends only to the original owner or end-user for personal household use. For commercial uses, additional limitations apply.

VIGO warrants acrylic units to be free from defects in workmanship and materials under normal use and service for a period of twenty (20) years from the initial date of purchase by the owner or end-user, contractor, or builder, from an authorized dealer.

VIGO warrants shower panels to be free from defects in workmanship and materials under normal use and service for a period of one (1) year from the initial date of purchase by the owner or end-user, contractor, or builder, from an authorized dealer.

VIGO warrants shower doors to be free from defects in workmanship and materials under normal use and service for a period of ten (10) years from the initial date of purchase by the owner or end-user, contractor, or builder, from an authorized dealer.

VIGO warrants faucets to be free from defects in workmanship and materials under normal use and service for a period of one (1) years from the initial date of purchase by the owner or end-user, contractor, or builder, from an authorized dealer.

Any product reported to the authorized dealer or to **VIGO** as being defective within the warranty period will be repaired or replaced (with a product of equal value) at the option of **VIGO**. This warranty extends to the original owner or end-user and is not transferable to a subsequent owner.

Neither the distributor, authorized **VIGO** dealer, nor any other person has been authorized to make any affirmation, representation, or warranty other than those contained in this warranty; any affirmation, representation, or warranty other than those contained in this warranty shall not be enforceable against **VIGO** or any other person.

VIGO reserves the right to modify this warranty at any time, it being understood that such modifications will not alter the warranty conditions applicable at the time of sale of the products in question.

EFFECTIVE JANUARY 1, 2004

Limitations

This warranty shall not apply following incorrect operating procedures, breakages, or damages caused by fault, carelessness, abuse, misuse, misapplication, improper maintenance, alteration, or alteration of the unit, as well as chemical or natural corrosion, accident, fire, flood, an act of God, or any other casualty. The owner/end-user of the product covered by the present warranty is entirely responsible for its proper installation and electrical wiring. **VIGO** neither installs nor supervises the installation nor hires a contractor for this purpose; consequently, **VIGO** cannot be held responsible for any default, breakage, or damages caused thereby or resulting thereof, either directly or indirectly. The owner/end-user must provide access to the components of the product as described in the installation guide so that **VIGO** can execute the warranty specified herein. If such access is not available, all expenses to provide said access will be the responsibility of the owner/end-user.

This warranty does not apply to products or equipment not installed or operated in accordance with instructions supplied by **VIGO** and all applicable rules, regulations, and legislation pertaining to such installations.

VIGO strongly recommends that its products – for example but without limitation, shower doors and other items – be installed by professionals with experience in bathroom products. Installation of shower doors by an inexperienced person may result in glass breakage and, consequently, cause personal injury or death.

VIGO is not liable for any costs, damages, or claims resulting from the purchase of products that do not fit through openings or existing structures. **VIGO** is not liable for any costs, damages, or claims resulting from defects that could have been discovered, repaired, or avoided by inspection and testing prior to installation.

VIGO is not liable for personal injuries or deaths to any persons or for any direct, special, incidental, or consequential damage, loss of time, loss of profits, inconvenience, incidental expenses, labor or material charges, or any other costs resulting from the use of the product or equipment or pertaining to the application of the present warranty, or resulting from the removal or replacement of any product or element or part covered by this warranty.

EXCEPT AS OTHERWISE PROVIDED ABOVE, VIGO MAKES NO WARRANTIES, EXPRESS OR IMPLIED, INCLUDING WARRANTIES OF MERCHANTABILITY AND FITNESS FOR A PARTICULAR PURPOSE OR COMPLIANCE WITH ANY CODE.

In any case, **VIGO** cannot be held liable for any amount over and above the purchase price paid for the product by the owner/end-user, contractor, or builder.

Commercial Limitations

In addition to the above conditions and limitations, the warranty period for products installed for commercial applications or used in commercial ventures is one (1) year from the initial date of purchase by the owner/end-user, contractor, or builder from an authorized dealer. **VIGO** is not responsible for loss of use or profit under any circumstances. If the product is used as a display, the warranty period begins when the product is placed on display.

This warranty gives the owner/end-user specific legal rights. The owner/end-user may also have other rights which can vary from one state or province to another.

Warranty Service

In order to obtain service provided under this warranty during regular business hours, contact the dealer or distributor who sold the unit, or contact **VIGO** directly. **VIGO** will provide the warranty service described above when the following conditions have been met: the failure is of the nature or type covered by the warranty; the user has informed an authorized **VIGO** Agent or Warranty Service Department representative of the nature of the problem during the warranty period; conclusive evidence (e.g., proof of purchase or installation) is provided to the foregoing by the user proving that the failure occurred or was discovered within the warranty period; an authorized independent service person or company representative has been permitted to inspect the product during regular business hours within a reasonable time after the problem was reported by the user.

VIGO's warranty obligation shall be discharged upon tender of replacement or repair. The customer's refusal to accept the tender terminates **VIGO's** warranty obligations.

Certain models are pending approval.

Certification may be ended by **VIGO** or certification agencies without notice.