

VIGO INDUSTRIES INSTALLATION GUIDE FOR SHOWER ENCLOSURE (MODEL VG06047)

SAFETY PRECAUTIONS

This Installation Guide uses the following symbols to indicate important information. Always observe the instructions indicated by these symbols.

WARNING

Instructions that, if ignored, could result in death or serious personal injury caused by incorrect handling or installation of the product. These instructions must be observed for safe installation.

IMPORTANT

Maintenance and other important non-personal injury and non-material damage instructions or statements that should be observed.

It is highly advised to dry fit the unit prior to any installation.

MODEL VG06047 ERIE

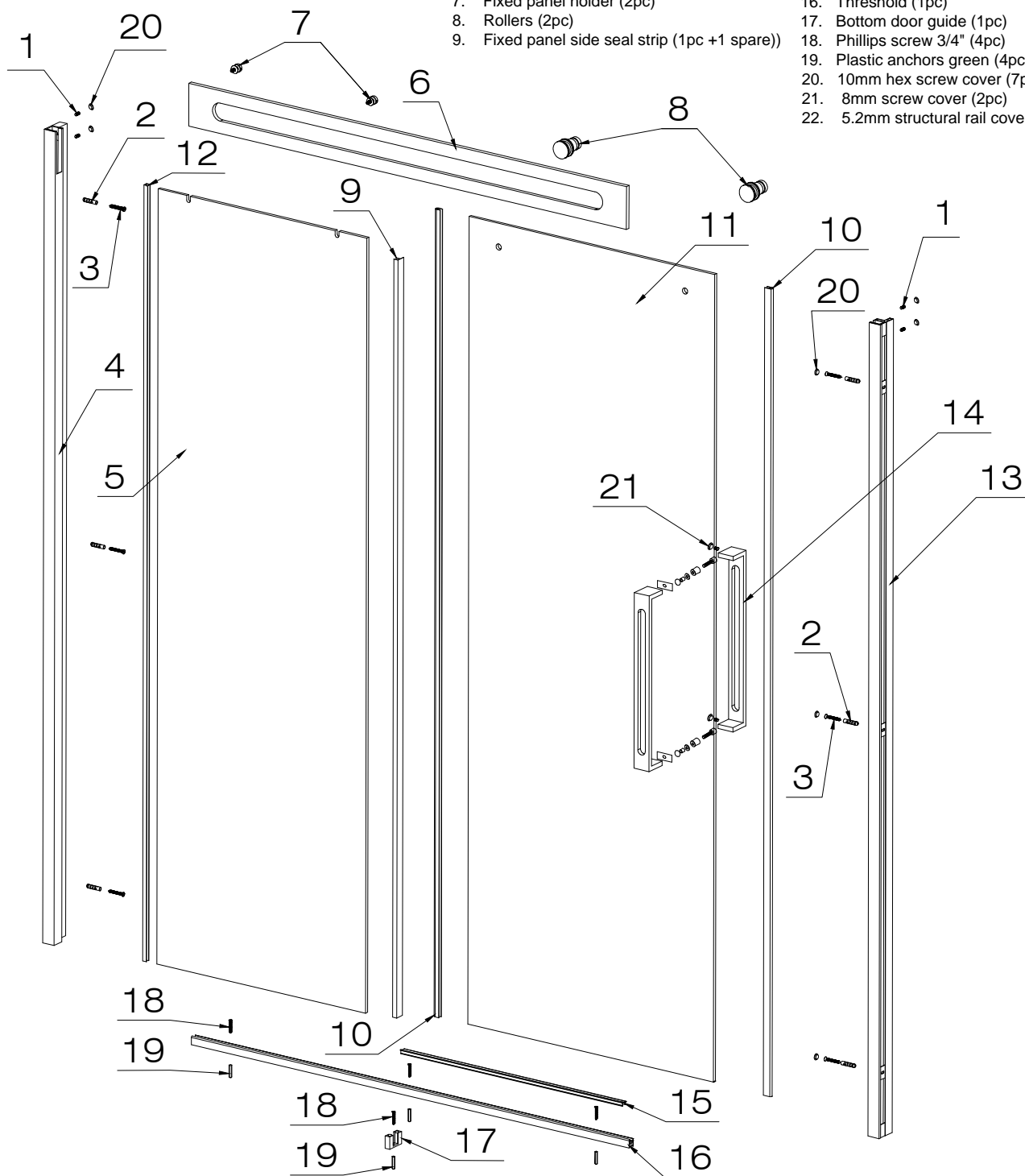
VIGO

INSTALLATION INSTRUCTIONS FOR STANDING SHOWER CABIN

PLEASE READ INSTRUCTIONS BEFORE PROCEEDING

Parts List




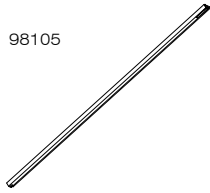




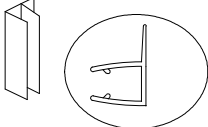
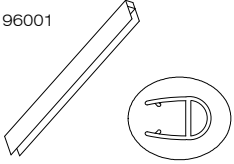
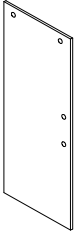
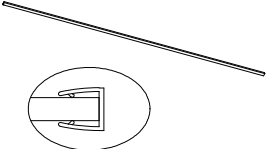
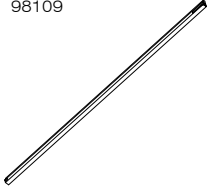
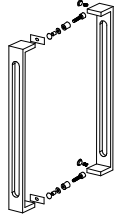


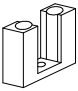



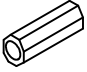

- | | |
|---|--|
| 1. Structural rail holders (4pc) | 10. Door side seal strip (2pc + 1 spare) |
| 2. Plastic anchors white (6pc) | 11. Door panel (1pc) |
| 3. Hex Screw 1 5/8" (6pc) | 12. Fixed panel wall side seal strip (1pc) |
| 4. Left vertical rail (1pc) | 13. Right vertical rail (1pc) |
| 5. Fixed Panel (1pc) | 14. Handle assembly (1pc) |
| 6. Structural rail (1pc) | 15. Threshold extension clip (1pc) |
| 7. Fixed panel holder (2pc) | 16. Threshold (1pc) |
| 8. Rollers (2pc) | 17. Bottom door guide (1pc) |
| 9. Fixed panel side seal strip (1pc + 1 spare)) | 18. Phillips screw 3/4" (4pc) |
| | 19. Plastic anchors green (4pc) |
| | 20. 10mm hex screw cover (7pc) |
| | 21. 8mm screw cover (2pc) |
| | 22. 5.2mm structural rail cover (2pc) |



GLASS THICKNESS: 3/8"

NOTE: INSTALLATION MUST BE DONE BY A QUALIFIED, LICENSED PROFESSIONAL.

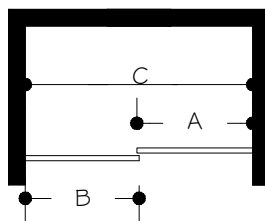
2

<p>1. STRUCTURAL RAIL HOLDERS</p> <p>98114</p> 	<p>2. PLASTIC ANCHORS WHITE</p> <p>98038</p> 	<p>3. HEX SCREW 1 5/8"</p> <p>98039</p> 	<p>4. LEFT VERTICAL RAIL</p> <p>98105</p> 	<p>5. FIXED PANEL</p> <p>97040</p> 
<p>6. STRUCTURAL RAIL</p> <p>98106</p> 	<p>7. FIXED PANEL HOLDER</p> <p>98107</p> 	<p>8. ROLLERS</p> <p>98108</p> 	<p>9. FIXED PANEL SIDE SEAL STRIP</p> <p>96013</p> 	<p>10. DOOR SIDE SEAL STRIP</p> <p>96001</p> 
<p>11. DOOR PANEL</p> <p>97039</p> 	<p>12. FIXED PANEL WALL SIDE SEAL STRIP</p> <p>96019</p> 	<p>13. RIGHT VERTICAL RAIL</p> <p>98109</p> 	<p>14. HANDLE ASSEMBLY</p> <p>98110</p> 	<p>15. THRESHOLD EXTENSION CLIP</p> <p>98112</p> 
<p>16. THRESHOLD</p> <p>98115</p> 	<p>17. BOTTOM DOOR GUIDE</p> <p>98113</p> 	<p>18. PHILLIPS SCREW 3/4"</p> <p>98033</p> 	<p>20. 10mm HEX SCREW COVER</p> <p>98135</p> 	<p>22. 5.2mm STRUCTURAL RAIL COVER</p> <p>98134</p> 
		<p>19. PLASTIC ANCHORS GREEN</p> <p>98037</p> 	<p>21. 8mm SCREW COVER</p> <p>98111</p> 	

* - WITH HARDWARE AND WITHOUT SHOWER BASE (FULLY INSTALLED)

MODEL	DIMENSION "A" (DOOR)	DIMENSION "B" (FIXED PANEL)	DIMENSION "C" (WIDTH)	HEIGHT	DOOR OPENING WIDTH
VG06047XX6074	34 3/16" x 73 1/2"	26 1/4" x 71 1/8"	59 1/2 - 60 1/2"	73 1/2"	22 7/8" - 23 7/8"

A & B DIMENSIONS WERE MEASURED AFTER SHOWER ENCLOSURE WAS COMPLETELY INSTALLED



⊗ Product lines may change, contact your Vigo representative.

MODEL VG06047

⚠ WARNING

VIGO STRONGLY RECOMMENDS THIS INSTALLATION BE COMPLETED BY A LICENSED PROFESSIONAL. INSTALLATION OF DOOR UNIT REQUIRES AT LEAST TWO PEOPLE.

INSTALLATION OF THE SHOWER DOORS BY AN INEXPERIENCED PERSON MAY RESULT IN GLASS BREAKAGE AND CONSEQUENTLY, CAUSE PERSONAL INJURY OR DEATH.

- Handle fragile items with care to prevent personal injury or material damage.
- The glass panels are tempered and cannot be cut. Never attempt to do so.
- Always rest glass on a level surface

BEFORE STARTING

Compare items on your invoice with what you have received. Carefully review the Parts List on page 2. If any items are missing, please call Vigo Industries at 1-866-591-7792. Please check our website at www.vigoindustries.com for additional information or instructional videos.

REQUIRED TOOLS:

- Square and/or Phillips #1 and #2 screwdriver
- Flat head screwdriver
- Electric drill; 1/4" drill bit (According to wall)
- Level
- Measuring tape
- Non permanent pencil
- Clear silicone caulking
- Utility knife; Hacksaw

⊘ IMPORTANT

- Fiberglass, acrylic or sheetrock construction might not be sufficiently strong enough to support the shower door enclosure. You should use the wood framing from behind the face edge of the stall to provide a secure mounting to the door. Apply a bead of silicone between the walls and base of the stall.
- For optimum performance, you should install the shower door perfectly level on a level surface. By not leveling the unit during construction the unit may leak causing possible water damage.

PLEASE NOTE:

THE CLEAR GLASS MODEL HAS A REVERSIBLE DOOR AND CAN BE INSTALLED TO THE RIGHT OR LEFT SIDE. (SEE CONFIGURATION DIAGRAM BELOW)

BEFORE INSTALLATION

If needed, remove the plastic layer of the base border. Do not remove the plastic layer off the plastic platform of the base. Wall and base joints must be siliconed properly. To fit shower door into your opening cut structural rail on door side only!

See suggestion of configuration below.

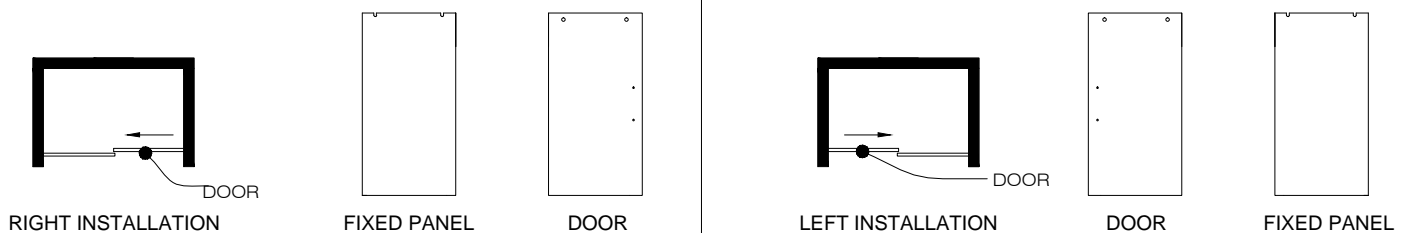


FIG. 1A (GLASS CONFIGURATION DIAGRAM)

MODEL VG06047

⊘ **IMPORTANT**

- Verify that the overall size of the shower door opening is appropriate for the shower enclosure.
- Due to individual site variations, exact guidelines for every situation cannot be supplied. The recommended framing and dimensional requirements are shown for a typical application and may vary depending on the site requirements.
- To prevent damage to the finish, you should protect the shower cabin bottom with a cardboard protector before beginning the installation.
- Ensure that there is sufficient structural support behind the shower wall to hold the weight of the shower door. If there is insufficient enough support, then reinforce the shower walls with wooden studs prior to shower door installation.

[SEE FIG. 1]

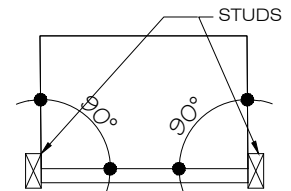


FIG.1



VG06047 LEFT DOOR OPENING



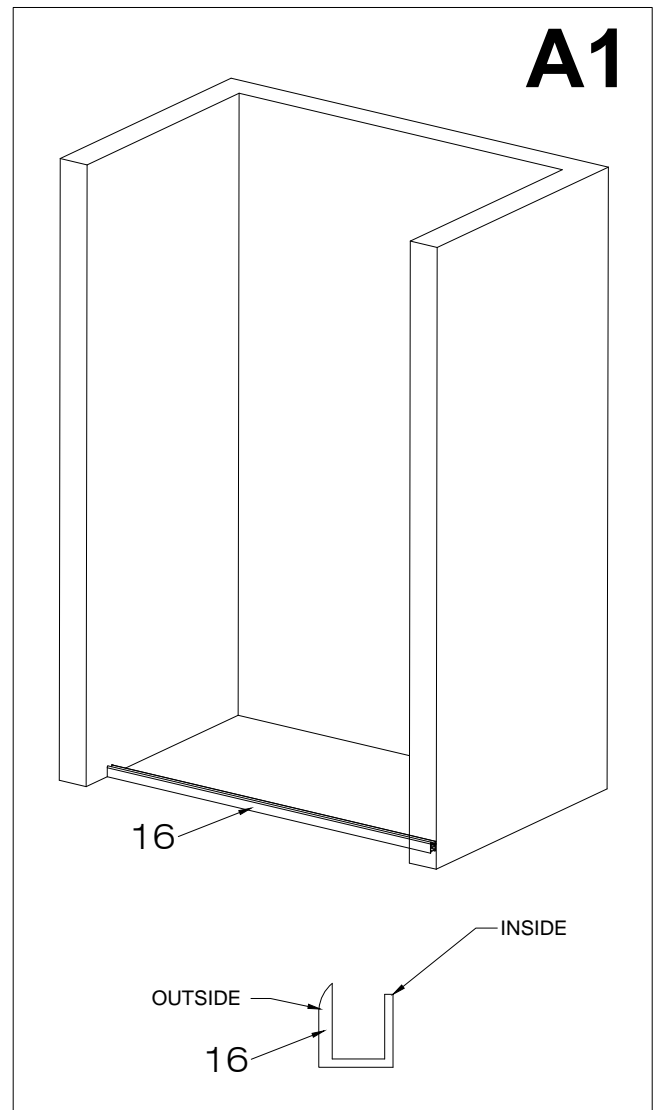
VG06047 RIGHT DOOR OPENING

INSTALLATION STEPS

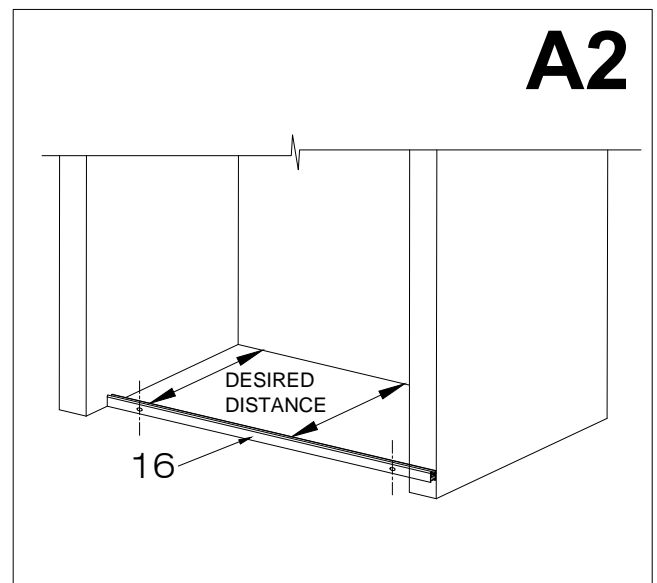
⚠ Please note that these instructions are for a right side installation.

A. INSTALLING THE THRESHOLD

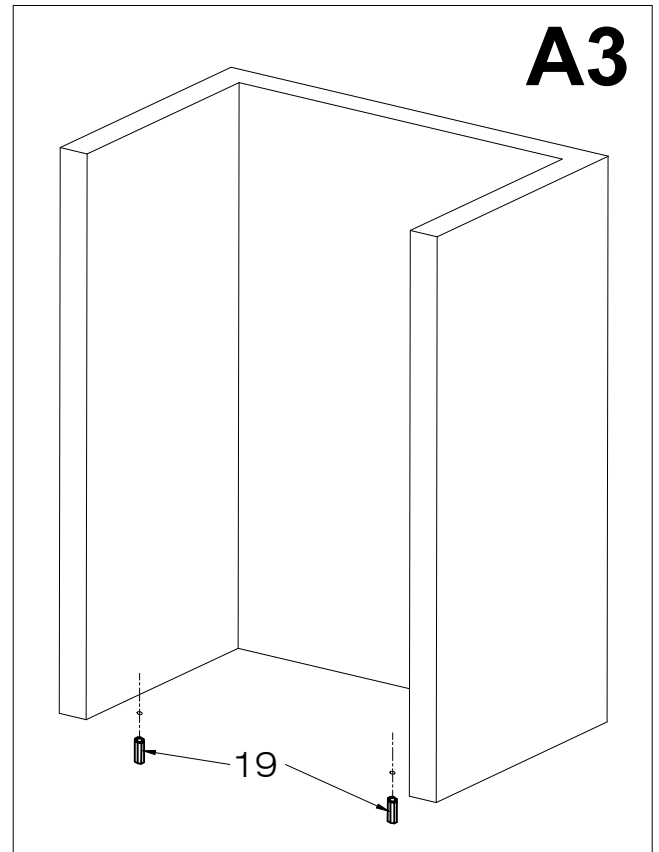
1. Place the threshold (#16) into the shower opening. If the threshold is too long, cut it with a hacksaw until it fits the opening.



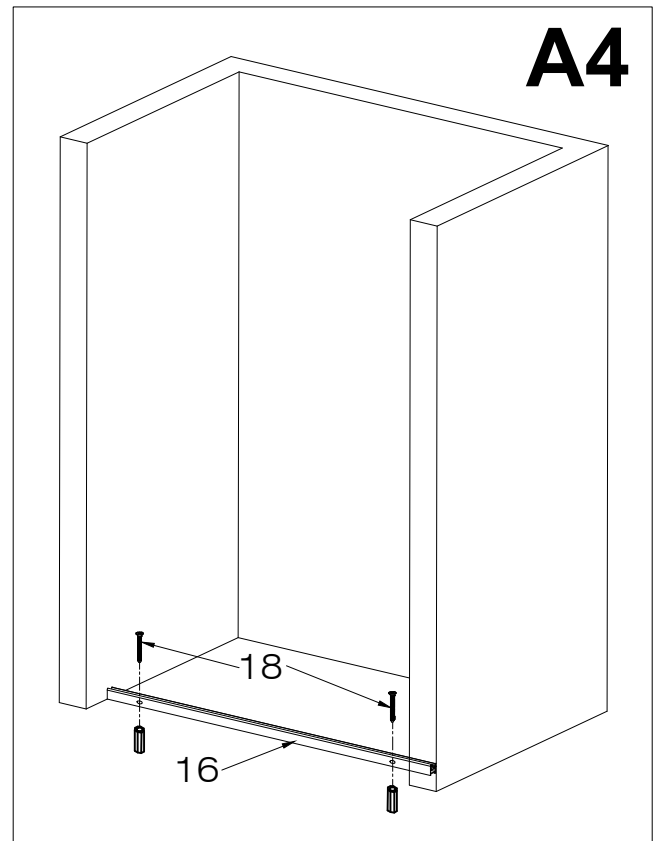
2. Position the threshold (#16) at the desired distance and mark the location of the mounting holes on the floor.



3. Remove the threshold (#16). Drill holes into the respective marks and insert green plastic anchors (#19) inside them.

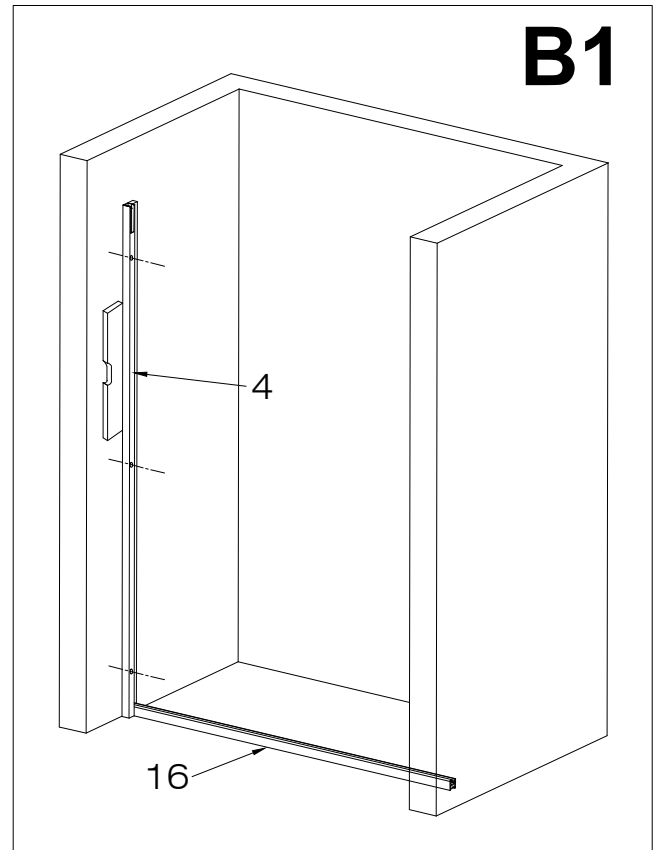


4. Replace the threshold (#16) and screw into the floor with 3/4" phillips screws (#18).

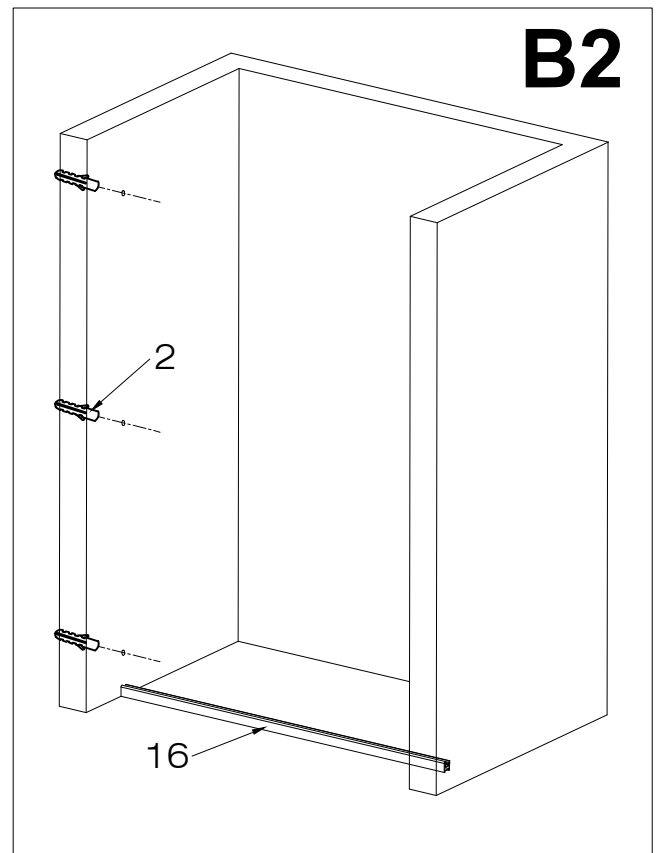


B. INSTALLING THE VERTICAL RAILS

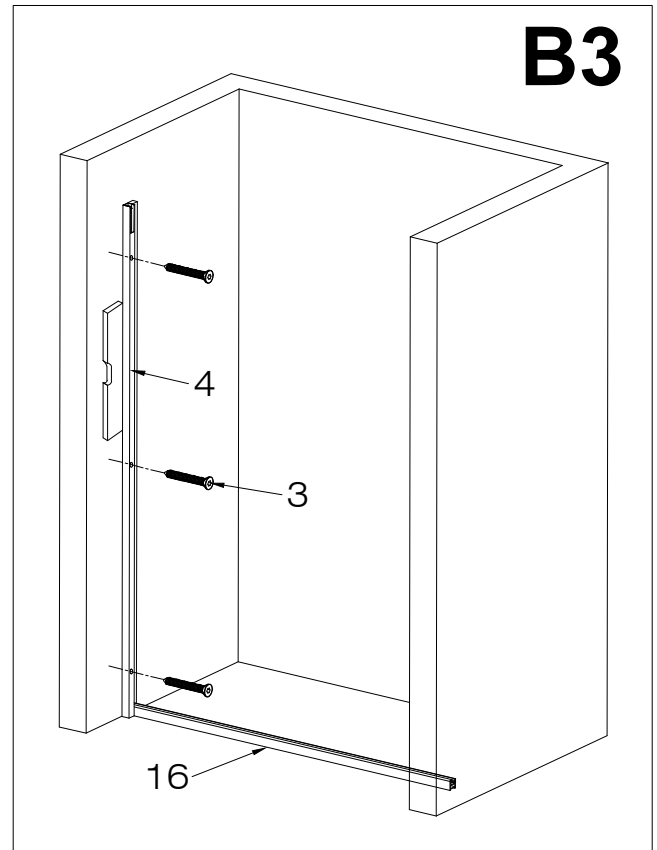
1. Position the left vertical rail (#4) over the threshold (#16). Level the left vertical rail. Mark holes on the wall for the mounting screws.



2. Remove the left vertical rail (#4). Drill holes into the respective marks and insert white plastic anchors (#2) inside them. ⚠️ Not necessary if installing into studs. Studs are the preferred means of installation, anchors can pull out of the wall causing property damage and bodily harm.

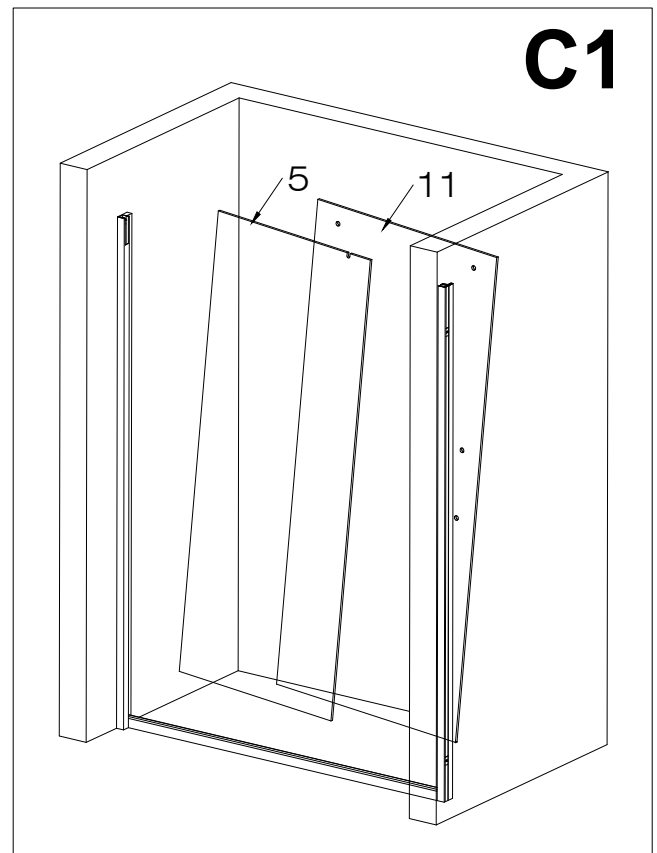


3. Replace the left vertical rail (#4) and screw into the wall with 1 5/8" hex screws (#3). Repeat steps B1-B3 for the right vertical rail (#13).



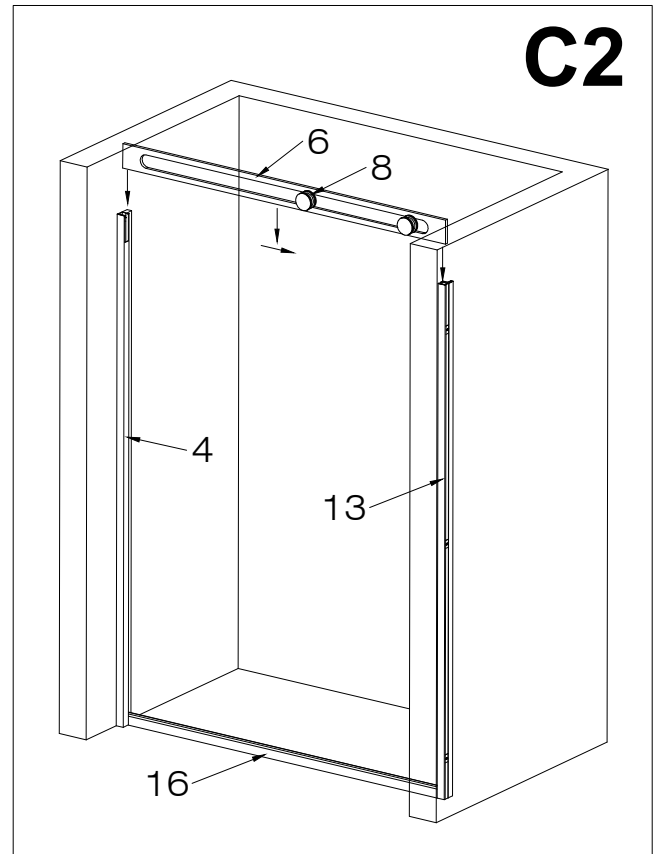
C. INSTALLING THE STRUCTURAL RAIL

1. Place the door panel (#11) and the fixed panel (#5) into the shower now, making sure to rest the glass in a manner that the glass or base/tub does not incur damage. **Make sure you have the panels facing right side up before proceeding.**



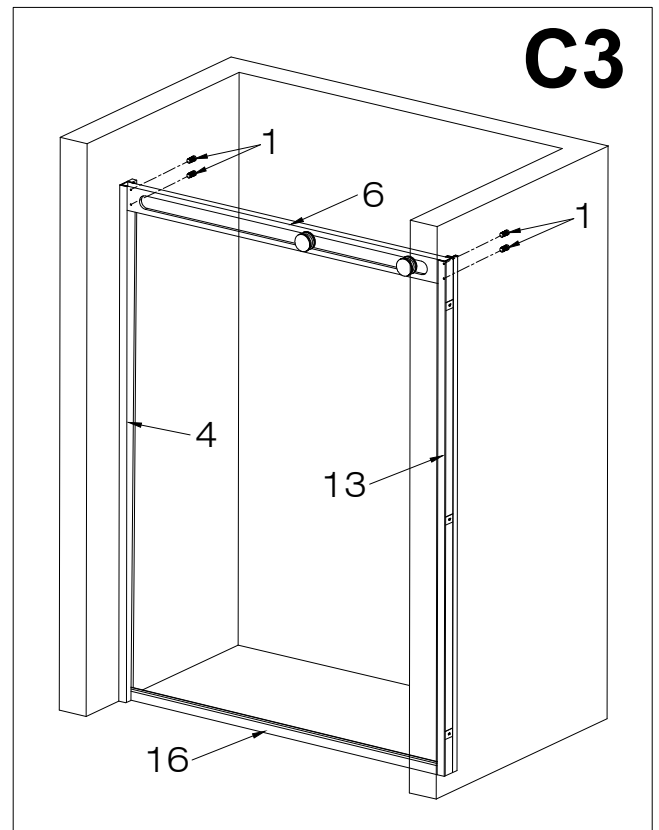
C2

- Position the structural rail (#6) into the vertical rails by sliding it in from the top. Make sure that the end of the structural rail (#6) meets the end of the right vertical rail (#13) on the door side. There may be some extra room at the opposite left vertical rail (#4).



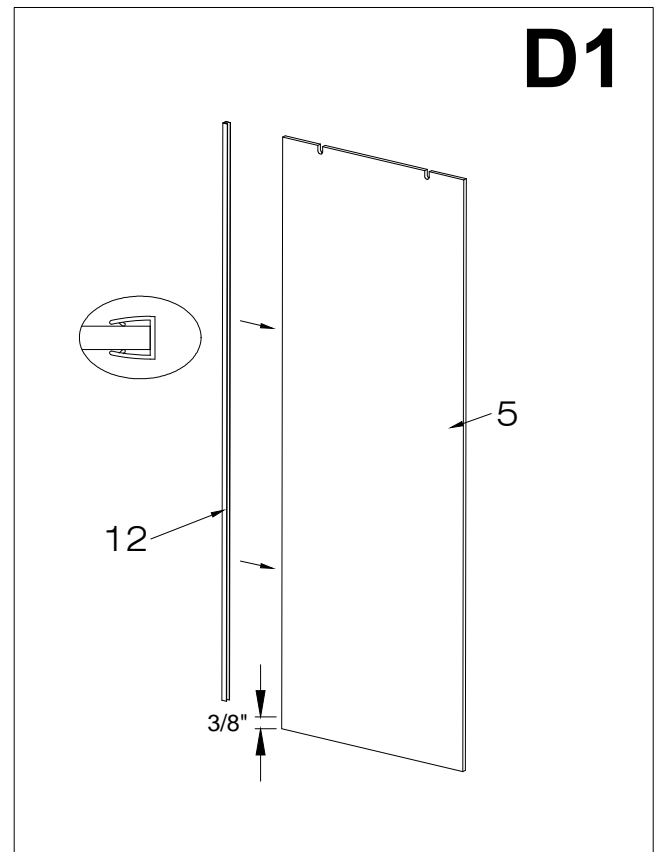
- Secure the structural rail (#6) to the vertical rails by screwing the structural rail holders (#1) into the tops of the vertical rails from inside the shower.

C3

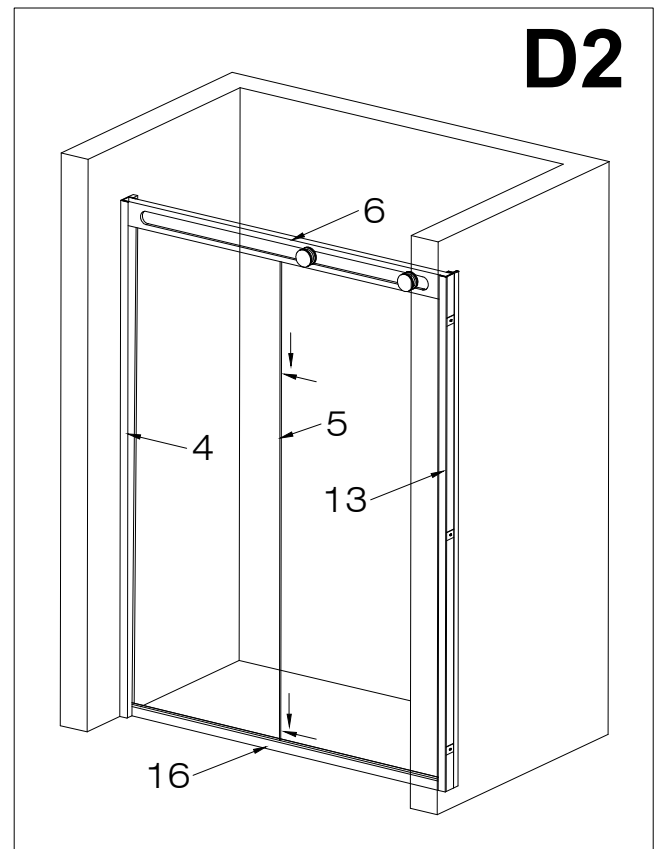


D. INSTALLING THE FIXED PANEL

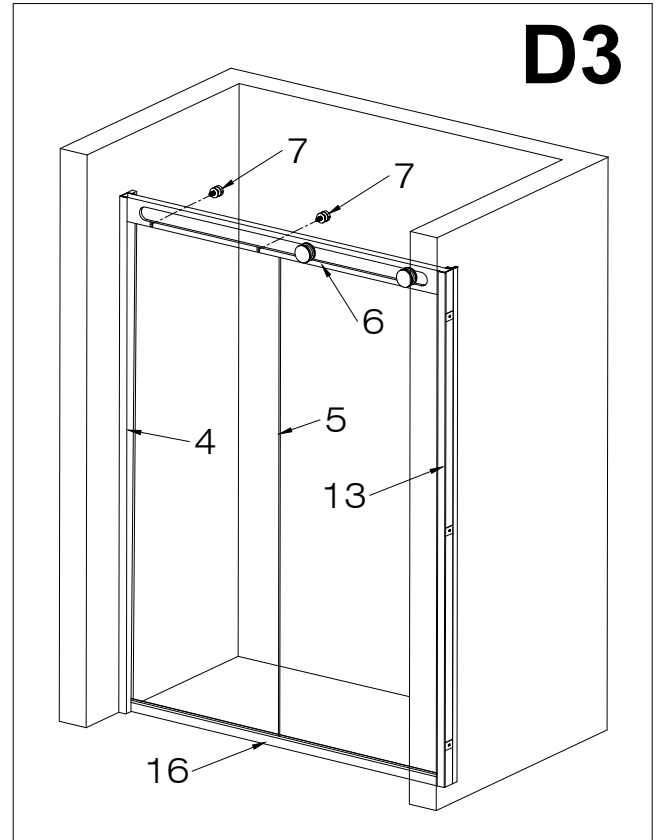
1. Attach the fixed panel wall side seal strip (#12) to the fixed panel (#5). Make sure to start 3/8" from the bottom of the fixed panel to accommodate room to place the fixed panel into the threshold.



2. Position the fixed panel (#5) into the threshold (#16) and slide it into the left vertical rail (#4) until it cannot go anymore. Make sure that the end of the fixed panel (#5) meets the end of the left vertical rail (#4).

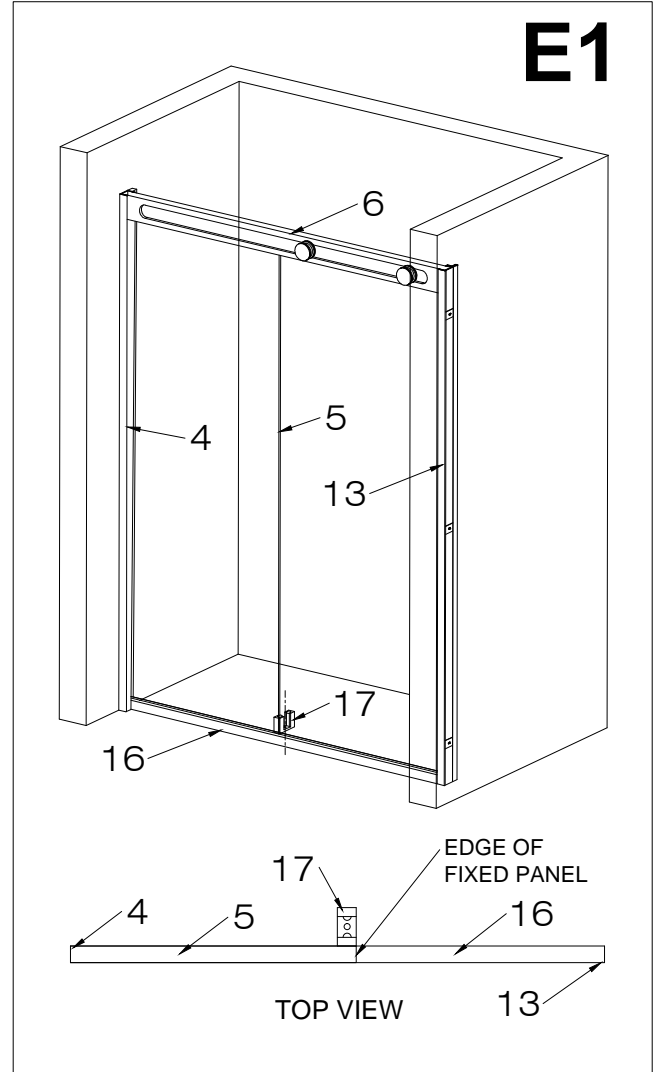


- Secure the fixed panel (#5) to the structural rail (#6) by screwing the fixed panel holders (#7) into the back of the structural rail from inside the shower.

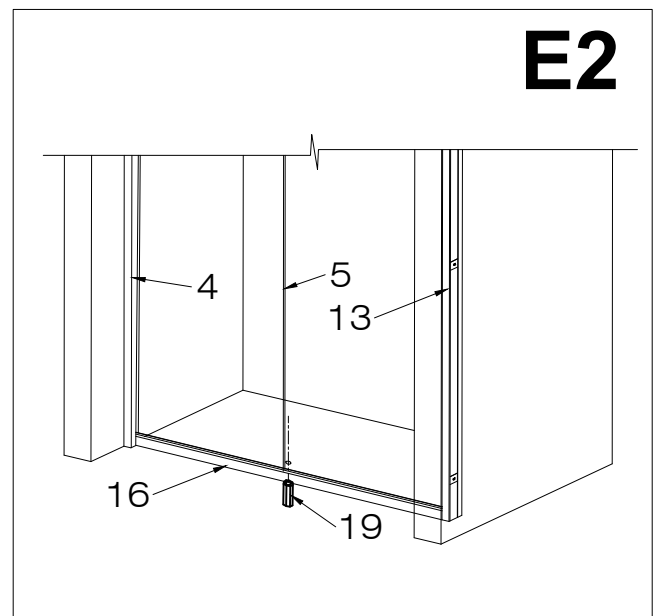


E. INSTALLING THE BOTTOM DOOR GUIDE

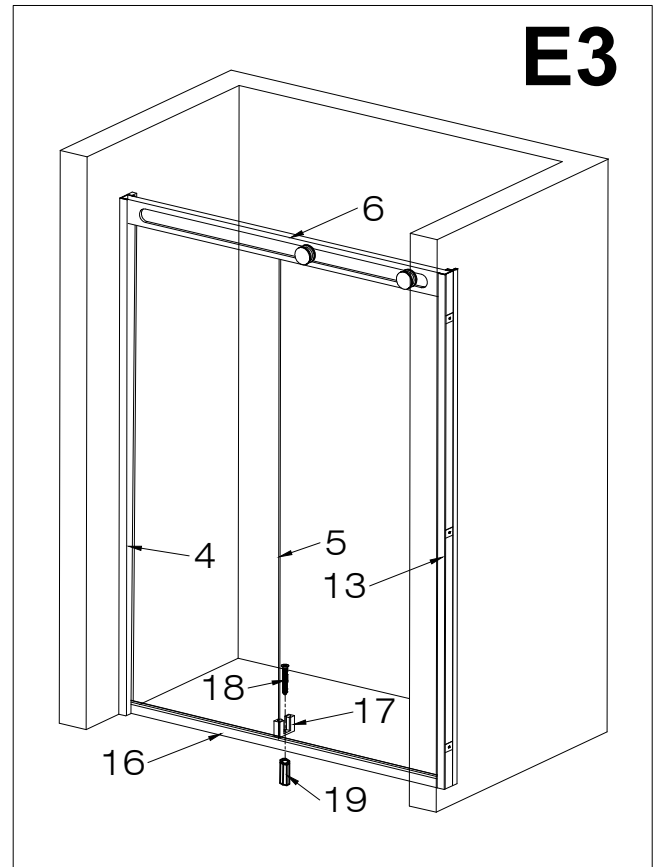
1. Position the bottom door guide (#17) on the floor against the threshold and line it up with the edge of the fixed panel. Mark the hole location on the floor.



2. Remove the bottom door guide (#17). Drill a hole into the respective mark and insert a green plastic anchor (#19) inside it.

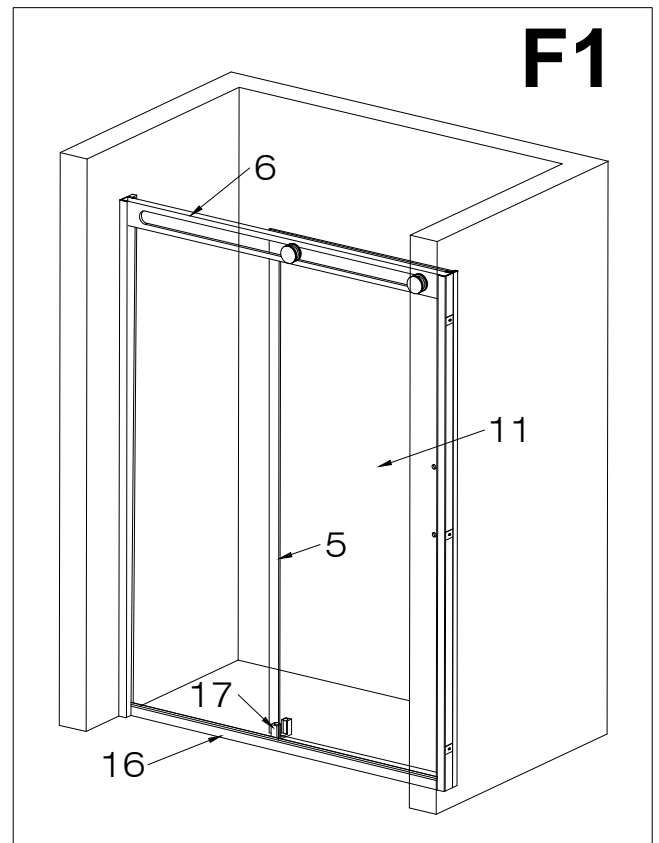


3. Replace the bottom door guide (#17) and screw into the floor with 3/4" phillips screws (#18).

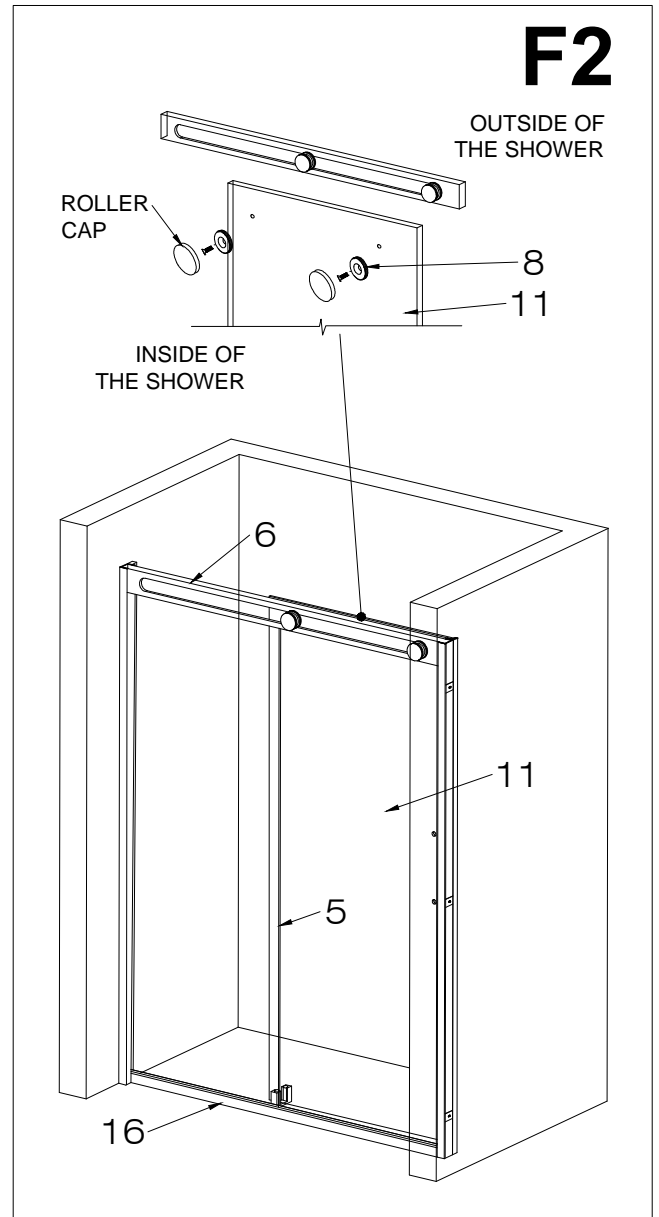


F. INSTALLING THE DOOR PANEL

1. Position the door panel (#11) into the door bottom guide (#17). Slide the rollers (#8) to meet up with the holes in the top of the door panel (#11).

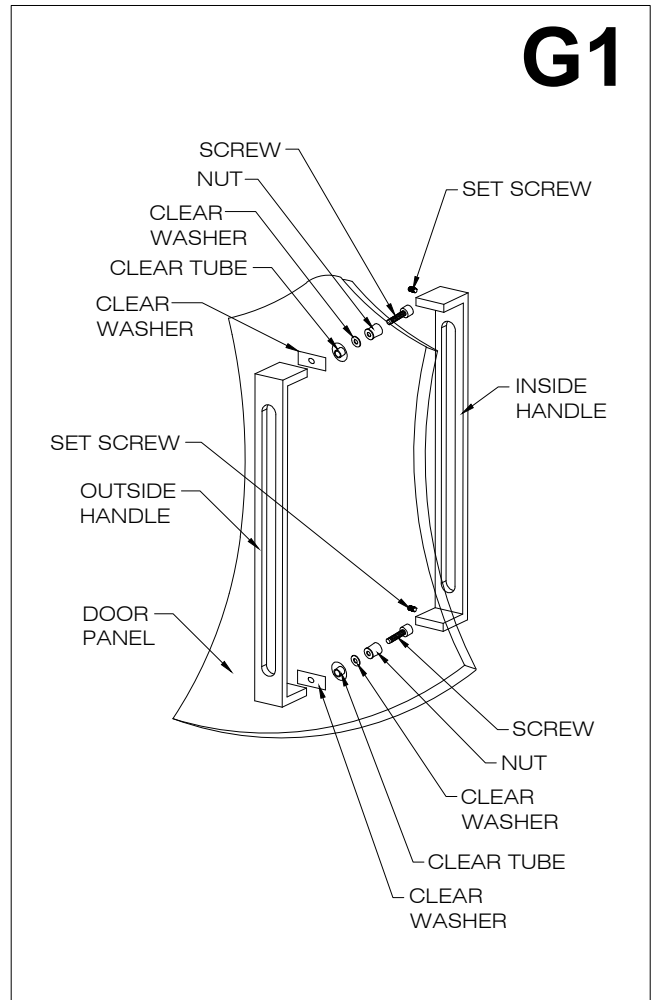


- Use the provided allen key to screw the rollers (#8) to the door panel (#11). Once they are secure, twist the rollers caps on.



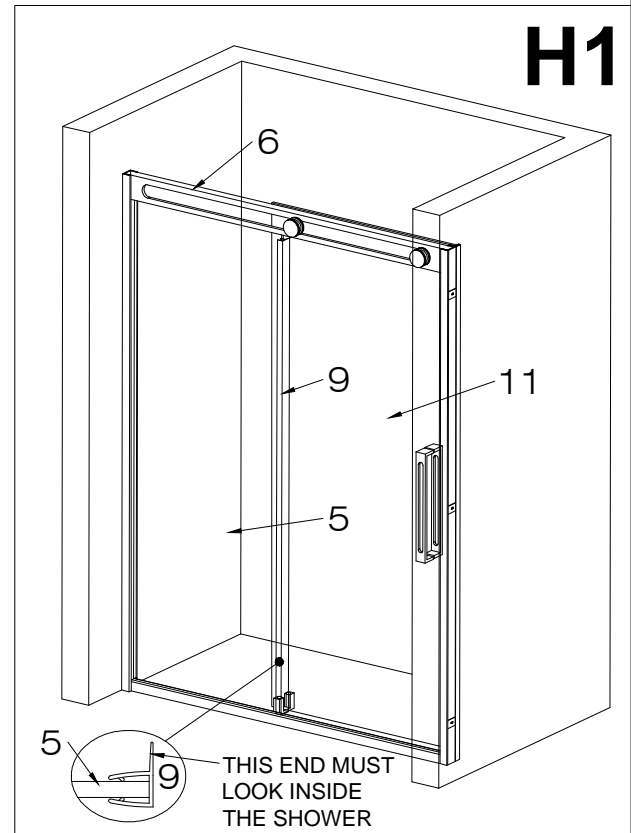
G. INSTALLING THE HANDLE

1. Assemble the handle assembly (#14) to the door (#11).

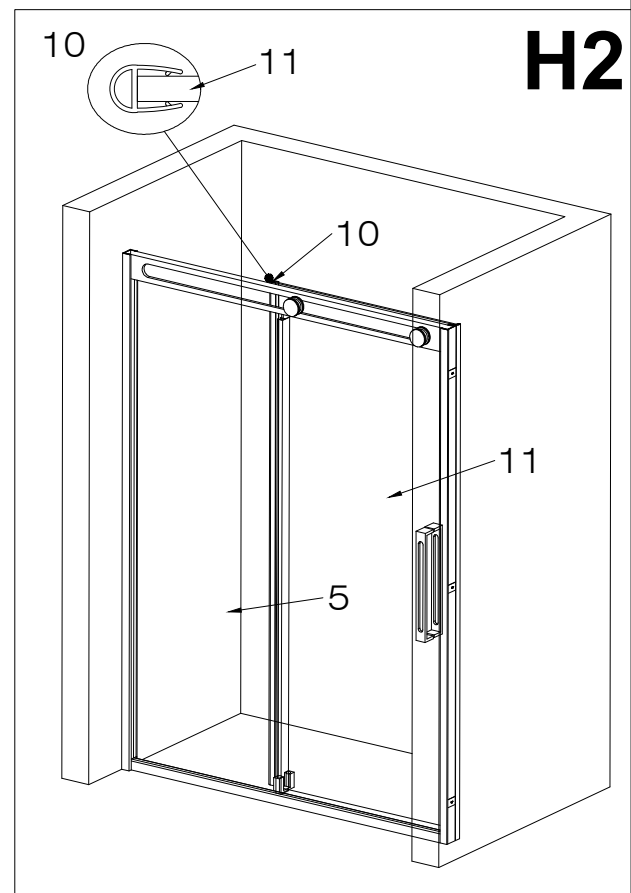


H. INSTALLING THE SEAL STRIPS

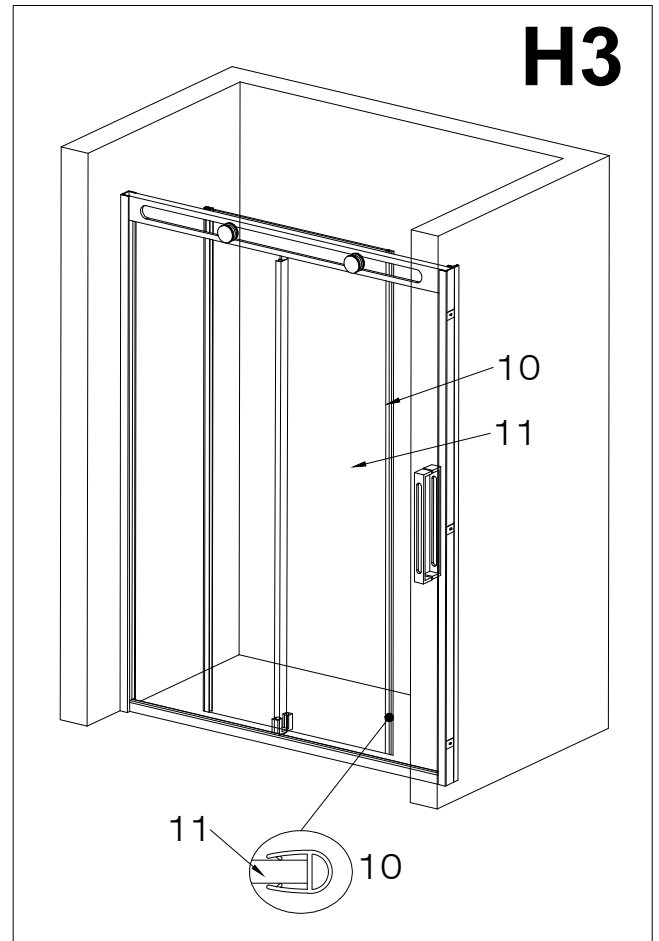
1. Attach the fixed panel side seal strip (#9) to the fixed panel (#5) with the flange facing the inside of the shower. Make sure the bottom rests on the threshold. Trim at the top right below the structural rail (#6).



2. Attach the door side seal strip (#10) to the door panel (#11). Trim any excess off at the top.

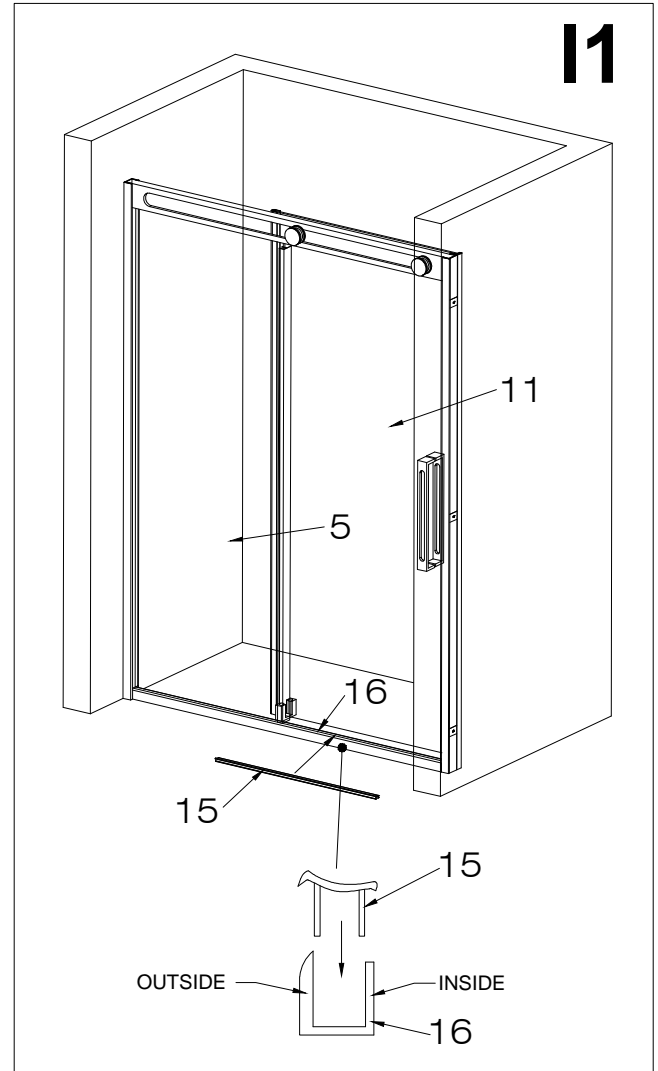


3. Attach the door side seal strip (#10) to the door panel (#11) from bottom to top. Trim any excess off at the top.



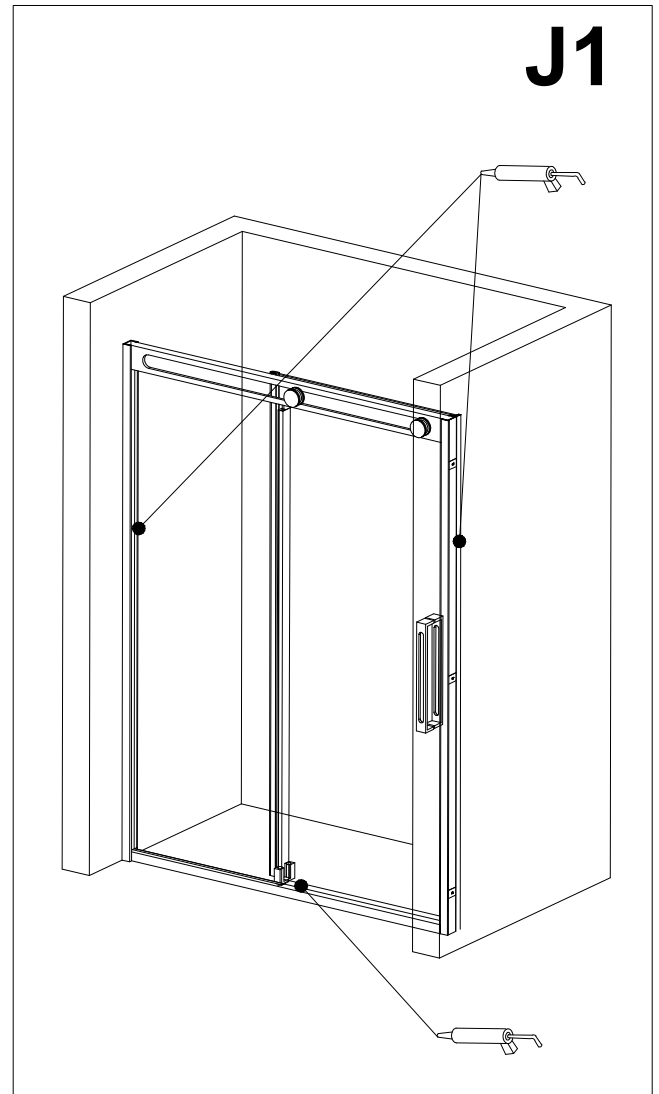
I. INSTALLING THE THRESHOLD EXTENSION CLIP

1. Place the threshold extension clip (#15) onto the threshold (#16). If the threshold extension clip (#15) is too long, cut it with the hacksaw until it fits the opening.



J. APPLYING THE SILICONE

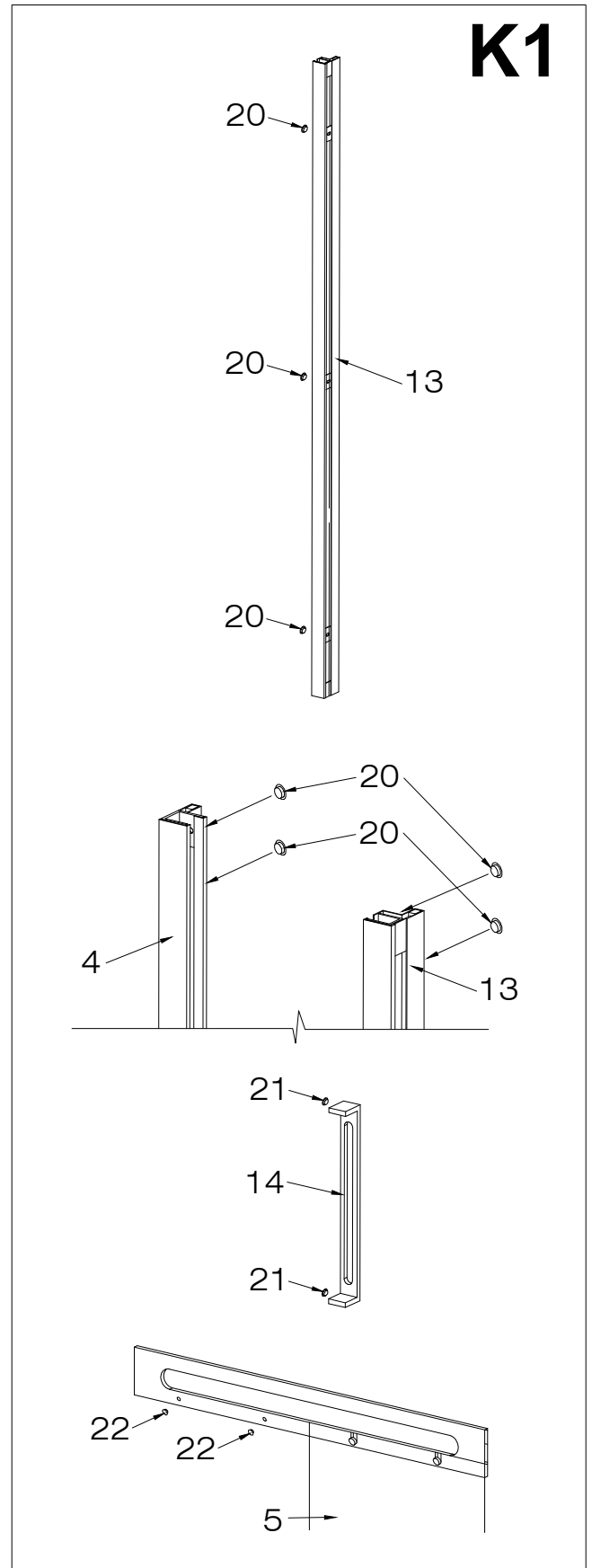
1. Apply clear silicone caulking along the wall and floor of the shower enclosure interior and along the vertical rails and threshold of the shower enclosure interior.



K. INSTALL SCREW COVERS

1. Install 10mm hex screw covers (#20) to the side of the right vertical rail (#13) and to the top of the left vertical rail (#4) and right vertical rail (#13). Install 8mm hex screw covers (#21) to the handle (#14). Install the 5.2mm structural rail covers (#22) to the structural rail on the door side in the open holes.

K1



⚠ IMPORTANT

- WAIT 24 HOURS BEFORE USING SHOWER
- DO NOT ALLOW WATER TO DIRECTLY HIT DOOR SEAL STRIPS.

CLEANING INSTRUCTIONS FOR THE SHOWER CABIN AND DOOR PANEL

1. Use a mild liquid household cleaner to keep metal surfaces bright and clean. Rinse well and dry with a soft, clean cloth.
2. Remove dust with a soft, damp cloth.
3. Use a standard household window cleaner to clean the glass panels.
4. A water beading treatment, similar to what you would use on an automobile windshield, can be used on the inside of the glass to keep it looking brand new.
5. Use rubbing alcohol to clean and remove grease, oil, paint and ink.
6. Should you accidentally scratch or stain your shower enclosure, use a liquid automobile polish to remove.

⚠ IMPORTANT

1. DO NOT use abrasive cleaners, scrapers, metal brushes or any items that could scratch or dull the surface.
2. DO NOT allow surface to come in contact with acetone (nail polish remover), dry cleaning solution, lacquer thinner, gasoline or other similar products.

REGULAR CARE AND MAINTENANCE OF YOUR VIGO SHOWER ENCLOSURE

Your home is a moving entity, shifting and settling over time. Vigo understands this and has designed their shower enclosures with this in mind. It is the responsibility of the homeowner or end user to maintain the integrity of their newly installed enclosure, using the integrated adjustability features. In order to keep your shower enclosure in optimal working condition, Vigo recommends regularly inspecting your enclosure and tightening any hardware that may have loosened during use. This simple step will insure optimal results from your Vigo shower enclosure for many years to come.

VIGO INDUSTRIES, LLC ("VIGO")
SHOWER ENCLOSURE LIMITED LIFETIME WARRANTY

EFFECTIVE JANUARY 1, 2010

VIGO offers the following limited warranty on each of its Shower Enclosure products* (the "Product") and the components thereof. This warranty extends only to the original owner or end-user for personal household use. For commercial uses, additional limitations apply.

VIGO warrants the structural glass component of the Product to be free from defects in workmanship and materials under normal use and service for the period commencing from the initial date of purchase by the owner or end-user, contractor, or builder, from VIGO or an authorized VIGO dealer, through the lifetime of the original owner or end-user.

VIGO warrants the hardware components of the Product to be free from defects in workmanship and materials under normal use and service for a period of two (2) years from the initial date of purchase by the owner or end-user, contractor, or builder, from VIGO or an authorized VIGO dealer.

VIGO warrants the seal strip components of the Product to be free from defects in workmanship and materials under normal use and service for a period of one (1) year from the initial date of purchase by the owner or end-user, contractor, or builder, from VIGO or an authorized VIGO dealer.

Subject to the Warranty Service provision below, any product reported to the authorized dealer or to VIGO as being defective within the warranty period will be repaired or replaced (with a product of equal value) at the option of VIGO. This warranty extends to the original owner or end-user and is not transferable to a subsequent owner.

Neither the distributor, authorized VIGO dealer, nor any other person has been authorized to make any affirmation, representation, or warranty other than those contained in this warranty. Any affirmation, representation, or warranty other than those contained in this warranty shall not be enforceable against VIGO or any other person.

VIGO reserves the right to modify this warranty at any time, it being understood that such modifications will not alter the warranty conditions applicable at the time of sale of the products in question.

Limitations

This warranty shall not apply to instances of incorrect operating procedures, breakages, or damages caused by fault through improper installation, carelessness, abuse, misuse, misapplication, improper maintenance, or alteration of the Product, as well as chemical or natural corrosion, accident, fire, flood, an act of God, or any other casualty. Avoid abrasive cleaners, steel wools, and harsh chemicals as these will scratch, damage, and / or dull the product and / or finish and void this warranty. The owner/end-user of the Product covered by the present warranty is entirely responsible for its proper installation and any applicable plumbing or electrical wiring. VIGO neither installs nor supervises the installation nor hires a contractor for this purpose; consequently, VIGO cannot be held responsible for any default, breakage, or damages caused thereby or resulting thereof, either directly or indirectly.

The owner/end-user must provide access to the components of the Product as described in the installation guide so that VIGO can execute the warranty specified herein. If such access is not available, all expenses to provide said access will be the responsibility of the owner/end-user.

This warranty does not apply to Products that have not been installed or operated in accordance with instructions supplied by VIGO and all applicable rules, regulations, and legislation pertaining to such installations.

This warranty does not apply unless the VIGO Product is installed by fully insured licensed professionals. VIGO strongly recommends that such licensed professionals have experience in the installation of bathroom and kitchen products. Installation of certain products, including, without limitation, glass products (i.e., shower doors and glass sinks) by an inexperienced person may result in glass breakage and, consequently, cause personal injury or death.

VIGO is not liable for personal injuries or deaths to any persons or for any direct, special, incidental, or consequential damage, loss of time, loss of profits, inconvenience, incidental expenses, labor or material charges, or any other costs resulting from the use of the product or equipment or pertaining to the application of the present warranty, or resulting from the removal or replacement of any product or element or part covered by this warranty.

EXCEPT AS OTHERWISE PROVIDED ABOVE, VIGO MAKES NO WARRANTIES, EXPRESSED OR IMPLIED, INCLUDING WARRANTIES OF MERCHANTABILITY AND FITNESS FOR A PARTICULAR PURPOSE OR COMPLIANCE WITH ANY CODE.

In any case, VIGO cannot be held liable for any amount over and above the purchase price paid for the Product by the owner/end-user, contractor, or builder.

Commercial Limitations

In addition to the above conditions and limitations, the warranty period for products installed for commercial applications or used in commercial ventures is one (1) year from the initial date of purchase by the owner/end-user, contractor, or builder from an authorized dealer. VIGO is not responsible for loss of use or profit under any circumstances. If the product is used as a display, the warranty period begins when the product is placed on display. This warranty gives the owner/end-user specific legal rights. The owner/end-user may also have other rights which can vary from one state or province to another.

Warranty Service

In order to obtain service provided under this warranty during regular business hours, contact the dealer or distributor who sold the unit, or contact VIGO directly. VIGO will provide the warranty service described above when the following conditions have been met: the failure is of the nature or type covered by the warranty; the user has informed an authorized VIGO Agent or VIGO's warranty service department representative of the nature of the problem during the warranty period; conclusive evidence (e.g., proof of purchase or installation) is provided to the foregoing by the user proving that the failure occurred or was discovered within the warranty period; an authorized independent service person or company representative has been permitted to inspect the product during regular business hours within a reasonable time after the problem was reported by the user. VIGO's warranty obligation shall be discharged upon tender of replacement or repair. The customer's refusal to accept the tender terminates VIGO's warranty obligations.

*Certain models are pending approval.
Certification may be ended by VIGO or certification agencies without notice.