

## VIGO INDUSTRIES INSTALLATION GUIDE FOR SHOWER DOOR (MODEL VG6046)

### **SAFETY PRECAUTIONS**

This Installation Guide uses the following symbols to indicate important information. Always observe the instructions indicated by these symbols.

### **WARNING**

Instructions that, if ignored, could result in death or serious personal injury caused by incorrect handling or installation of the product. These instructions must be observed for safe installation.

### **IMPORTANT**

Maintenance and other important non-personal injury and non-material damage instructions or statements that should be observed.

It is highly advised to dry fit the unit prior to any installation.

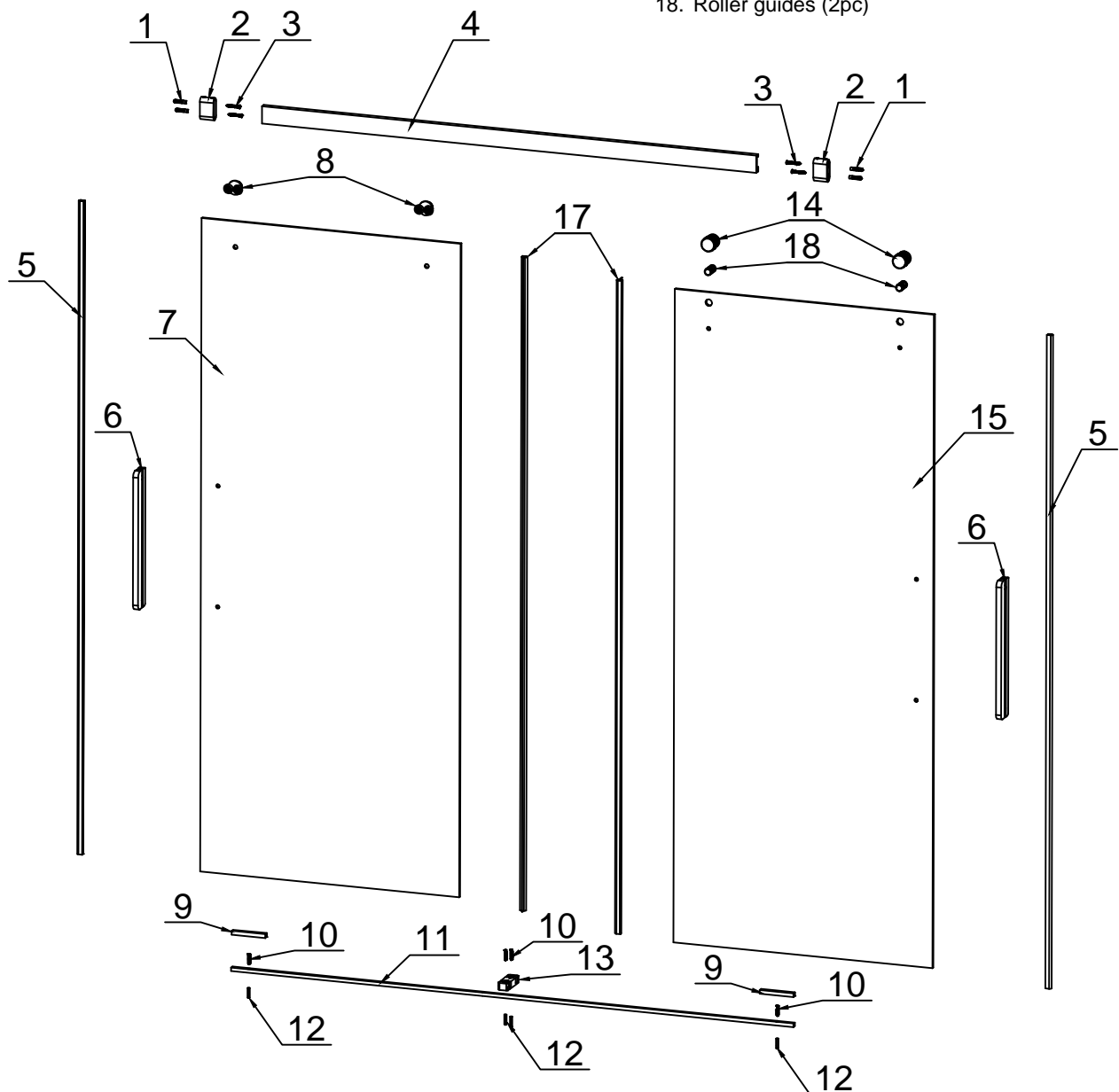
**MODEL VG6046 CASPIAN**

**INSTALLATION INSTRUCTIONS FOR SHOWER DOOR**

PLEASE READ INSTRUCTIONS BEFORE PROCEEDING


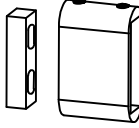


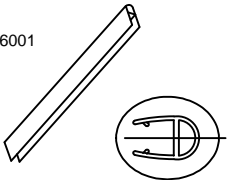






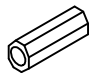
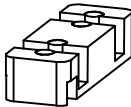

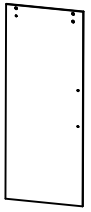
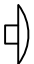
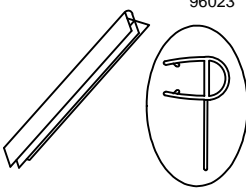

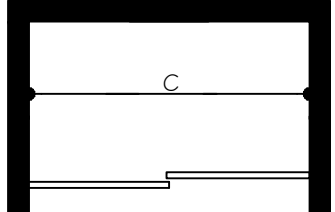
Parts List

- |                                    |   |
|------------------------------------|---|
| 1. Plastic anchors white (4pc)     | 9. Door threshold cap (2pc)                     |
| 2. Wall mount bracket (2pc)        | 10. Phillips screw 3/4" (4pc)                   |
| 3. Hex screw 1 5/8" (4pc)          | 11. Door threshold (1pc)                        |
| 4. Structural rail (1pc)           | 12. Plastic anchors green (4pc)                 |
| 5. Door seal strip (2pc + 1 extra) | 13. Bottom door guide (1pc)                     |
| 6. Handle assembly (2pc)           | 14. Single rollers (2pc)                        |
| 7. Inner door panel (1pc)          | 15. Outer door panel (1pc)                      |
| 8. Double rollers (2pc)            | 16. 8mm Screw cover (4pc)                       |
|                                    | 17. Door seal strip with flange (2pc + 1 extra) |
|                                    | 18. Roller guides (2pc)                         |



GLASS THICKNESS 3/8"

NOTE: INSTALLATION MUST BE DONE BY A QUALIFIED, LICENSED PROFESSIONAL.

<p>1. PLASTIC ANCHOR WHITE</p> <p>98038</p> 	<p>2. WALL MOUNT BRACKET</p> <p>98125</p> 	<p>3. HEX SCREW 1 5/8"</p> <p>98039</p> 	<p>4. STRUCTURAL RAIL</p> <p>98126</p> 	<p>5. DOOR SEAL STRIP</p> <p>96001</p> 
<p>6. HANDLE ASSEMBLY</p> <p>98127</p> 	<p>7. INNER DOOR PANEL</p> <p>97035</p> 	<p>8. DOUBLE ROLLERS</p> <p>98128</p> 	<p>9. DOOR THRESHOLD CAP</p> <p>98130</p> 	<p>10. PHILLIPS SCREW 3/4"</p> <p>98033</p> 
<p>11. DOOR THRESHOLD</p> <p>98129</p> 	<p>12. PLASTIC ANCHOR GREEN</p> <p>98037</p> 	<p>13. BOTTOM DOOR GUIDE</p> <p>98131</p> 	<p>14. SINGLE ROLLERS</p> <p>98132</p> 	<p>15. OUTER DOOR PANEL</p> <p>97036</p> 
<p>16. 8mm SCREW COVER</p> <p>98111</p> 	<p>17. DOOR SEAL STRIP WITH FLANGE</p> <p>96023</p> 	<p>18. ROLLER GUIDES</p> <p>98133</p> 		

MODEL	DIMENSION "A" (INNER DOOR)	DIMENSION "B" (OUTER DOOR)	DIMENSION "C" (WIDTH)	HEIGHT	DOOR OPENING WIDTH
VG6046XX6074	31 3/16" x 73 1/2"	31 3/16" x 73 1/2"	59" - 61"	73 1/2"	27 1/8" - 29 1/8"

A, B & C DIMENSIONS WERE MEASURED AFTER SHOWER ENCLOSURE WAS COMPLETELY INSTALLED

**⚠ WARNING**

VIGO STRONGLY RECOMMENDS THIS INSTALLATION BE COMPLETED BY A LICENSED PROFESSIONAL. INSTALLATION OF DOOR UNIT REQUIRES AT LEAST TWO PEOPLE.

INSTALLATION OF THE SHOWER DOORS BY AN INEXPERIENCED PERSON MAY RESULT IN GLASS BREAKAGE AND CONSEQUENTLY, CAUSE PERSONAL INJURY OR DEATH.

- Handle fragile items with care to prevent personal injury or material damage.
- The glass panels are tempered and cannot be cut. Never attempt to do so.
- Always rest glass on a level surface

**BEFORE STARTING**

Compare items on your invoice with what you have received. Carefully review the Parts List on page 2. If any items are missing, please call Vigo Industries at 1-866-591-7792. Please check our website at [www.vigoindustries.com](http://www.vigoindustries.com) for additional information or instructional videos.

**REQUIRED TOOLS:**

- Square and/or Phillips #1 and #2 screwdriver
- Electric drill; 1/8" drill bit for phillips screws, 3/16" drill bit for hex screws, 1/4" drill bit for green plastic anchors or 5/16" drill bit for white plastic anchors (According to wall)
- Level
- Measuring tape
- Non permanent pencil
- Clear silicone caulking
- Utility knife; Hacksaw

**⊘ IMPORTANT**

- Fiberglass, acrylic or sheetrock construction might not be sufficiently strong enough to support the shower door enclosure. You should use the wood framing from behind the face edge of the stall to provide a secure mounting to the door. Apply a bead of silicone between the walls and base of the stall.
- For optimum performance, you should install the shower door perfectly level on a level surface. By not leveling the unit during construction the unit may leak causing possible water damage.

**PLEASE NOTE:**

**THE CLEAR GLASS MODEL HAS REVERSIBLE DOORS AND CAN BE INSTALLED TO THE RIGHT OR LEFT SIDE.**

**BEFORE INSTALLATION**

If needed, remove the plastic layer of the base border. Do not remove the plastic layer off the plastic platform of the base. Wall and base joints must be siliconed properly. To fit shower door into your opening cut structural rail on door side only!

### IMPORTANT

- Verify that the overall size of the shower door opening is appropriate for the shower enclosure.
- Due to individual site variations, exact guidelines for every situation cannot be supplied. The recommended framing and dimensional requirements are shown for a typical application and may vary depending on the site requirements.
- To prevent damage to the finish, you should protect the shower cabin bottom with a cardboard protector before beginning the installation.
- Ensure that there is sufficient structural support behind the shower wall to hold the weight of the shower door. If there is insufficient enough support, then reinforce the shower walls with wooden studs prior to shower door installation. [SEE FIG. 1]

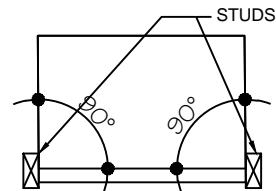


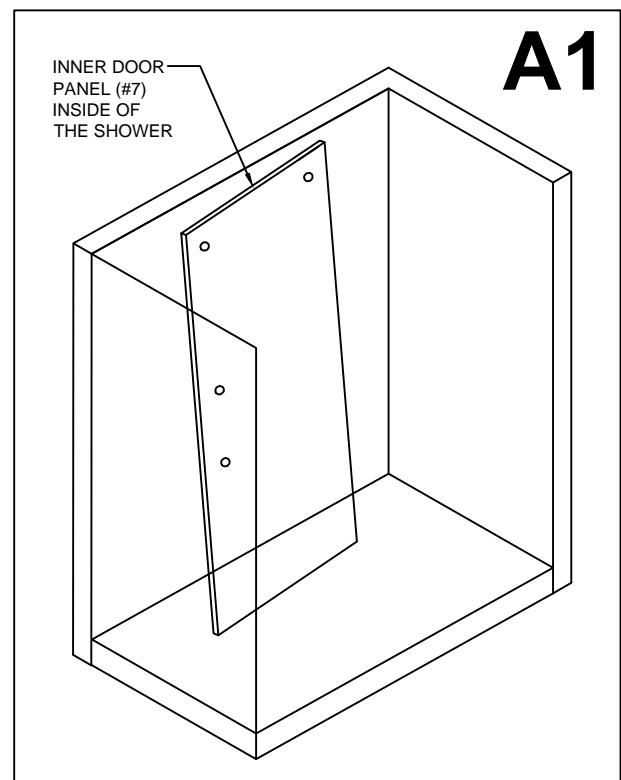
FIG.1

### INSTALLATION STEPS

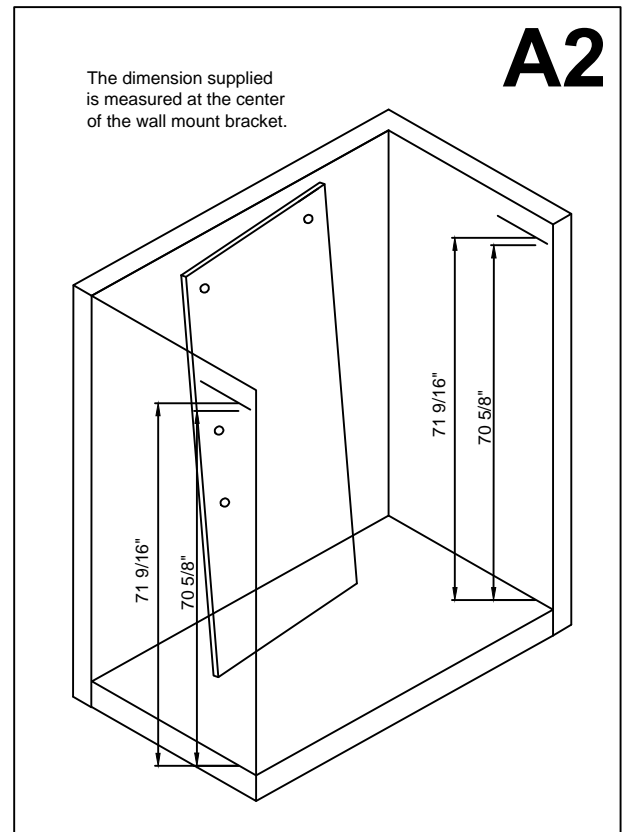
**\*NOTE:** Prior to any installation, mark lines on the floor and wall for proper dry fit. Proper planning is imperative for proper installation. The measurements of 70 5/8" and 71 9/16" should just be used as a guide. Your actual dimensions may vary. This unit is design to fit a 60"-61" opening without having to cut the rails, but based off of specification needs, the installer can provide an extra overlap of the door panels, which in turn will shrink the door opening. The minimum opening would be 59", although it is not recommended.

#### A. INSTALLING THE STRUCTURAL RAIL

1. Arrange the glass according to the configuration you've chosen from page 4 and place the inner door panel (#7) into the shower first making sure to rest the glass in a manner that the glass or base/tub does not incur damage. **Make sure you have the inner door facing right side up before proceeding.**

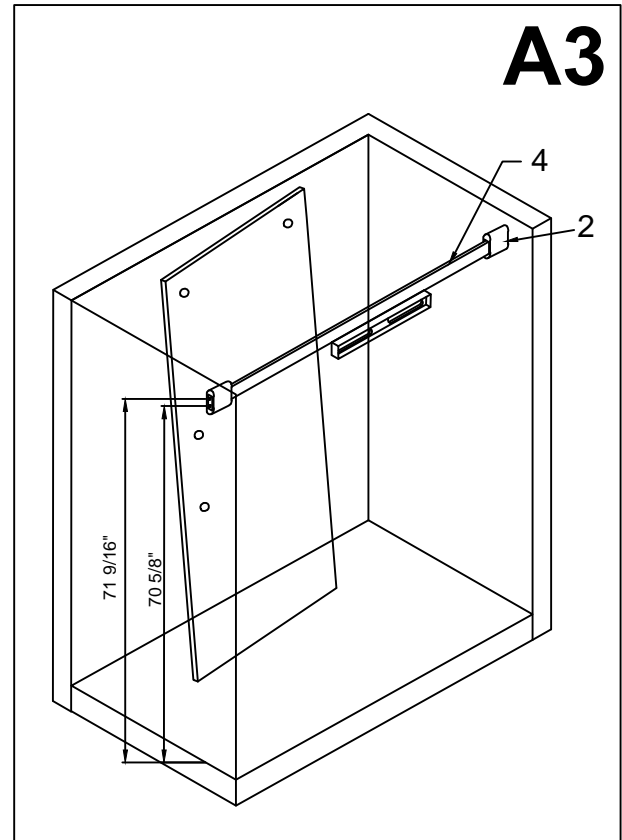


2. Measure  $70 \frac{5}{8}$ " and  $71 \frac{9}{16}$ " from the floor or curb of base. Mark these locations. These measurements will be the center of each hole in your wall mount bracket assembly plate (#2).

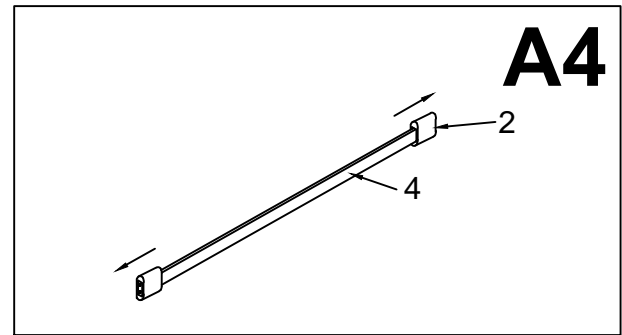


3. Place the structural rail (#4) into the cabin opening. Make sure that the wall mount brackets (#2) are assembled on the rail before doing this. Make sure the structural rail is level. Mark the location of the wall mount brackets (#2) on the wall.

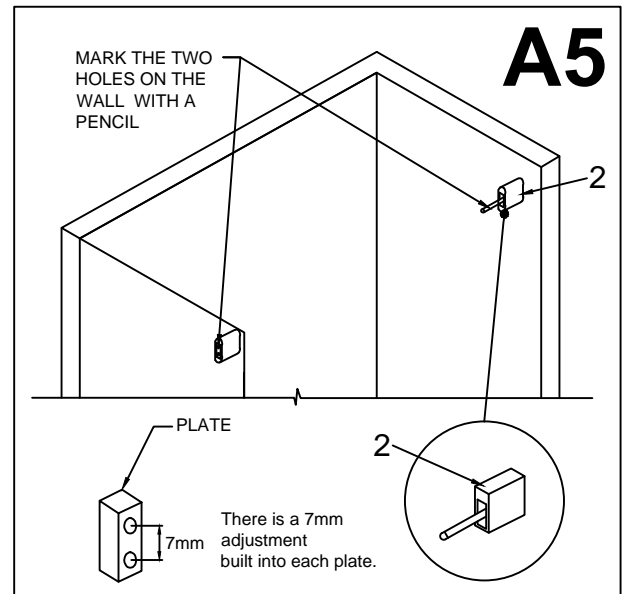
**Note:** If you have chosen to install this unit into a 59" opening you will have to cut the structural rail (#4) in order for it to fit.



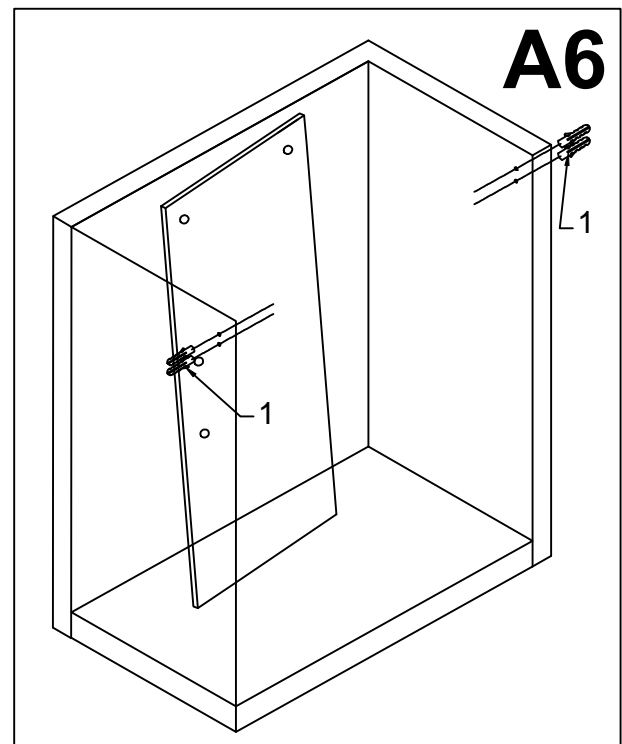
4. Remove the rail from the dry fit and remove the wall mount brackets (#2) from the structural rail (#4).



5. Line the outside of the wall mount brackets with the markings on the wall. With the plates still installed to the wall mount brackets mark the wall at the center of the holes of the plate. **Note: It is important to perform a dry fit prior to install. Once everything is level and plumb then you can begin your drilling.**

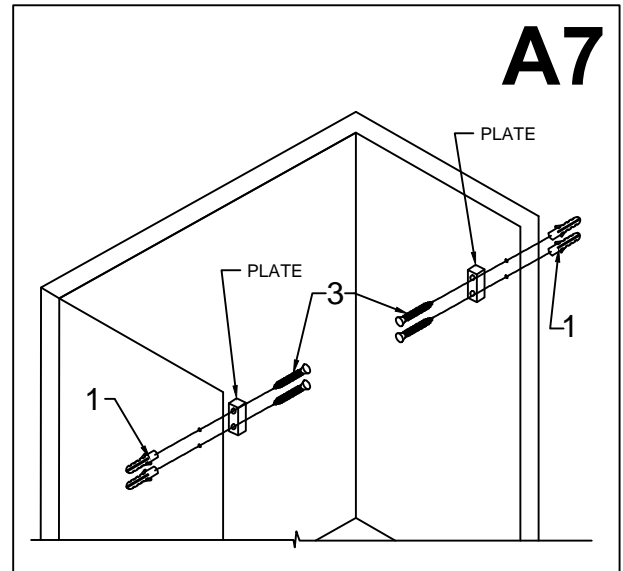


6. Drill holes where you marked the walls and place plastic anchors (#1) inside them. **⚠ Preferred method of installation negates anchors and has the installation going right into studs.**

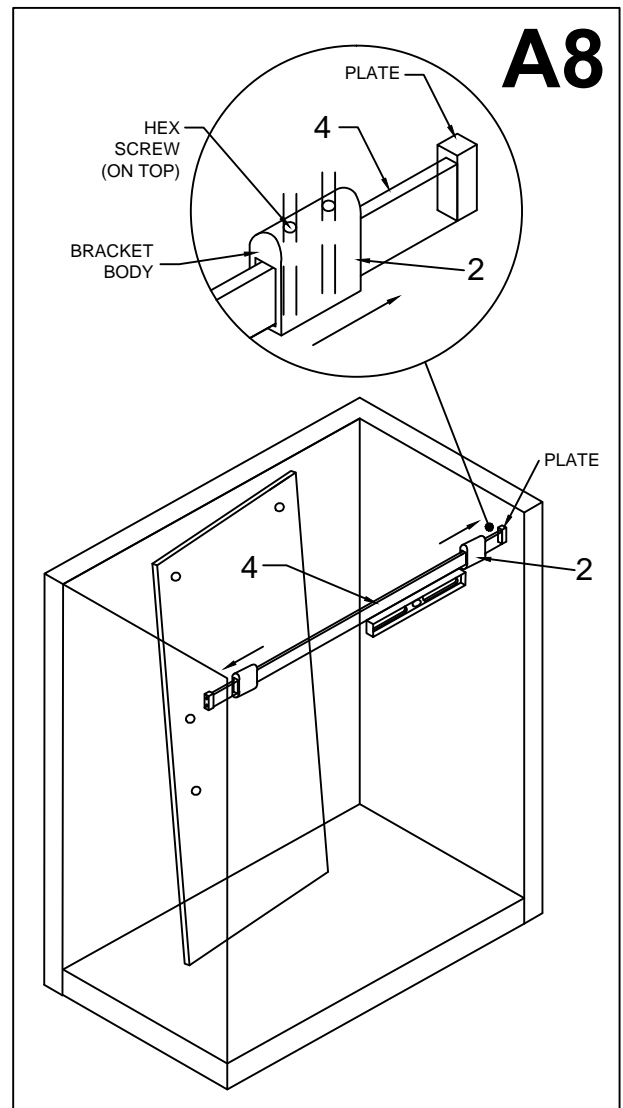


7. Replace the plates and screw them into the plastic anchors with the hex screws (#3).

**⚠ Preferred method of installation negates anchors and has the installation going right into the studs.**



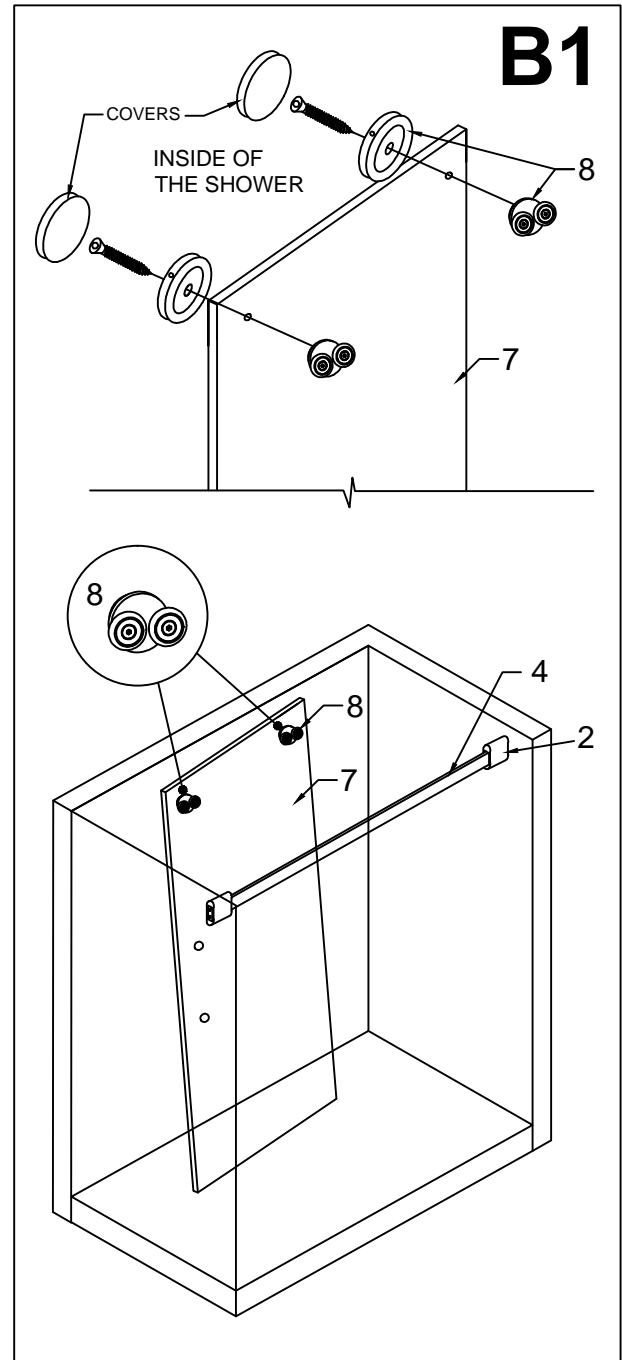
8. Slide the bracket body (#2) in position on the structural rail (#4). Align the plates to the rail and slide the bracket body over the plate. Lock the bracket body to the plate with the supplied allen key (note the screws should be at the top of the rail). Make sure the structural rail is level.



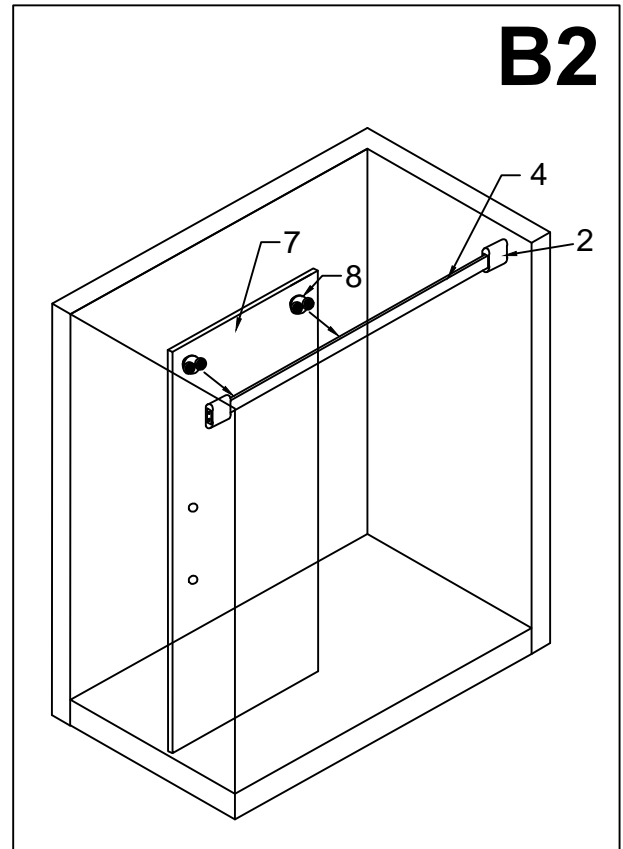


**B. INSTALLING THE INNER DOOR PANEL**

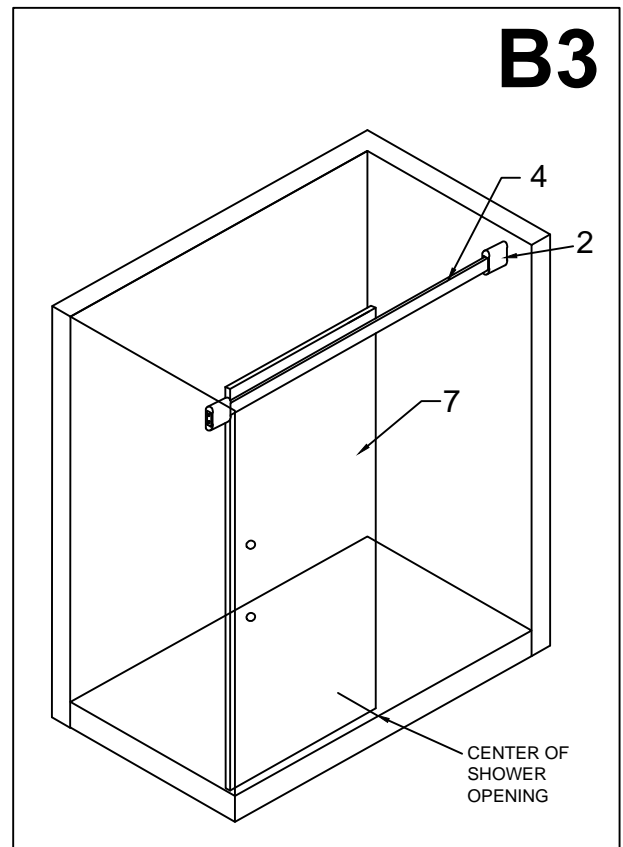
1. Screw the double rollers (#8) to the inner door panel (#7) using the allen key supplied. Once tightened, place the covers on the rollers.



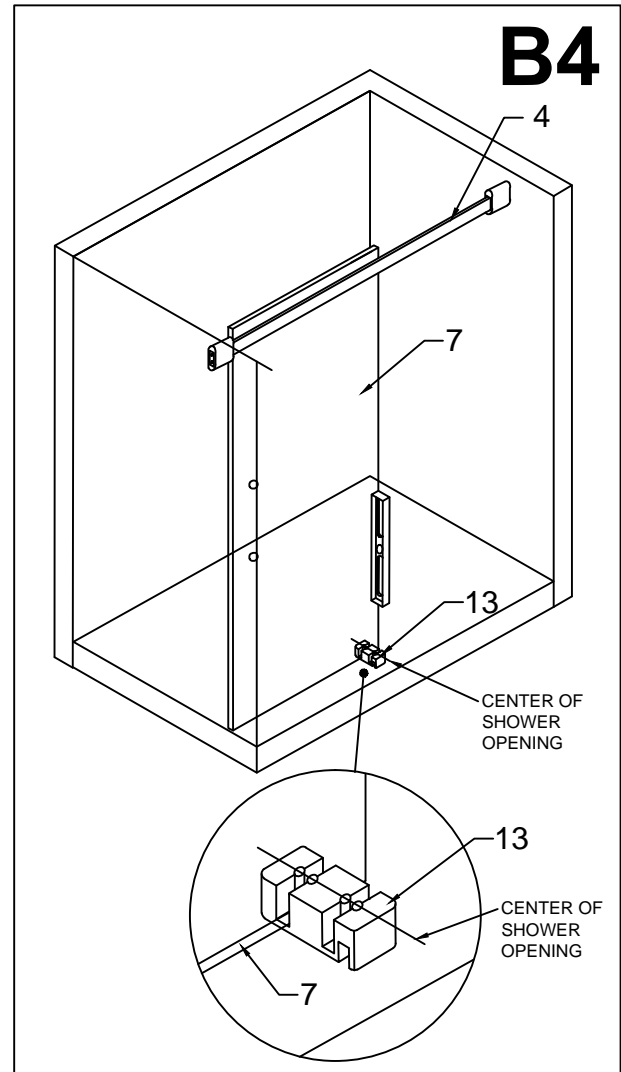
- Position the inner door panel (#7) into the back of the structural rail (#4).



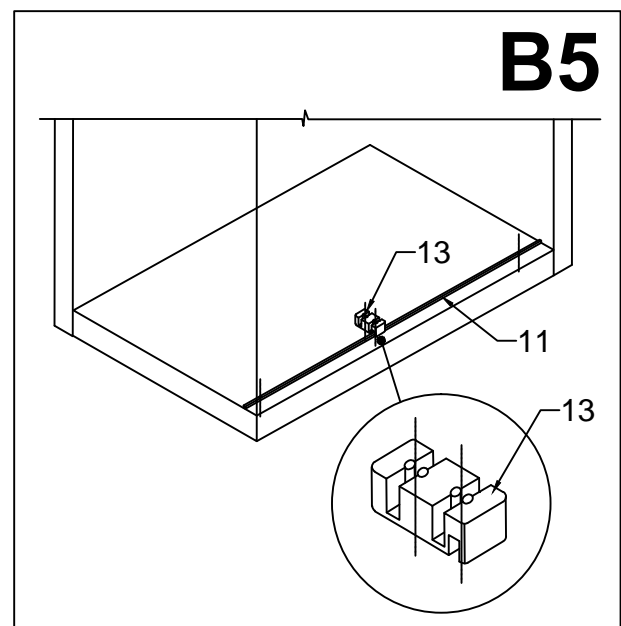
- Find the center point of your shower opening and mark a line.



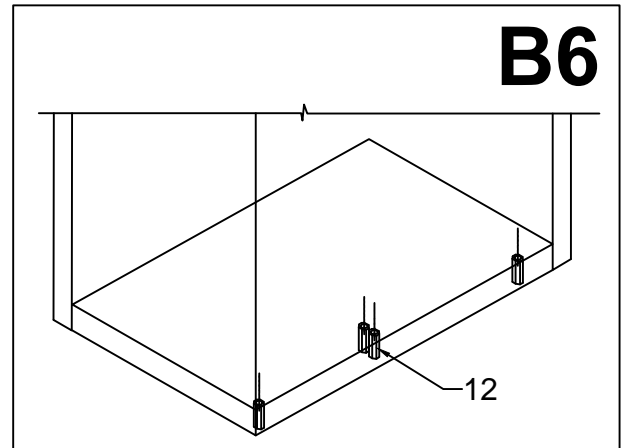
4. Position the bottom door guide (#13) on top of the center line you marked. Verify that the inner door panel (#7) rests in the back notch of the bottom door guide. Level the inner door panel (#7) and mark the location of the bottom door guide (#13).



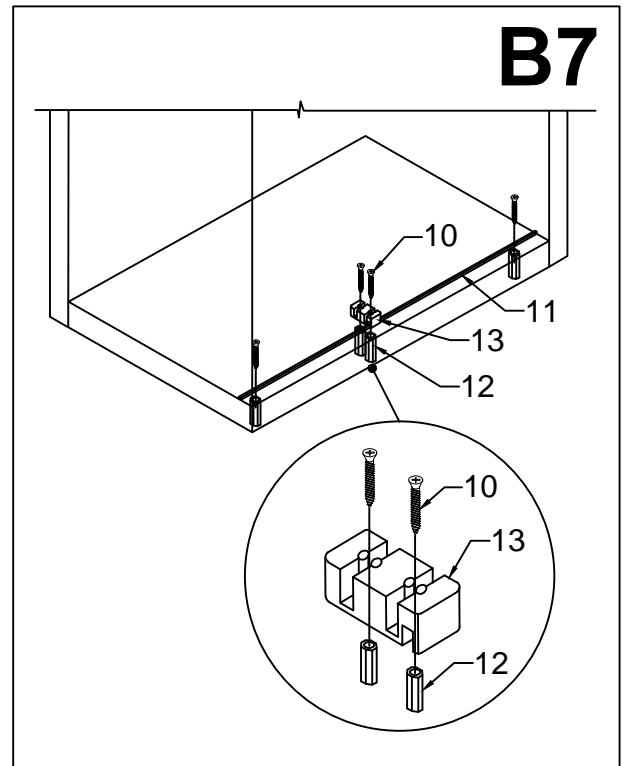
5. Remove the inner door panel (#7). Position the door threshold (#11) into the bottom door guide (#13) and place the bottom door guide to where you have marked. Mark the hole locations for the bottom door guide (#13) and door threshold (#11).  
**Note: If you have chosen to install this unit into a 59" opening you will have to cut the door threshold (#11) in order for it to fit.**



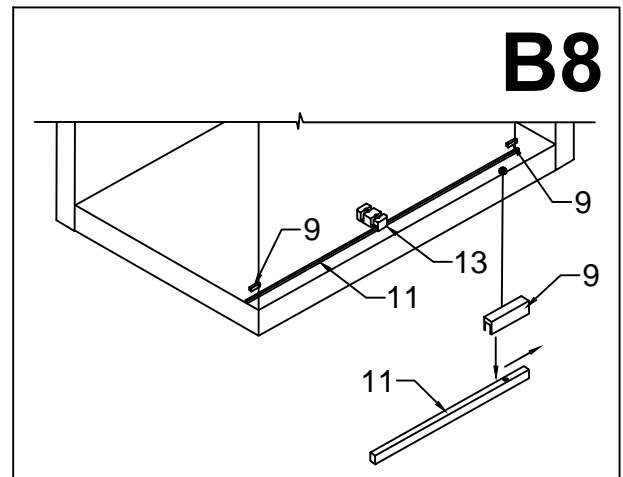
6. Remove the bottom door guide (#13) and door threshold (#11). Drill the holes and place the green plastic anchors (#12) inside them.



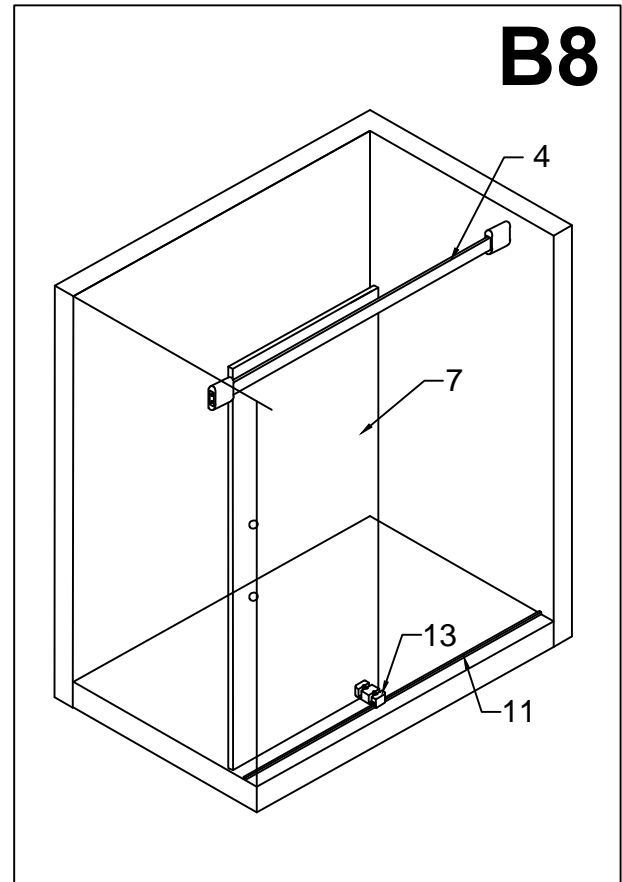
7. Replace the door bottom guide (#13) and door threshold (#11) and screw them to the floor with 3/4" screws (#10).



8. Place the door threshold cap (#9) over the end of the threshold and slide it towards the wall. Repeat for the other side.

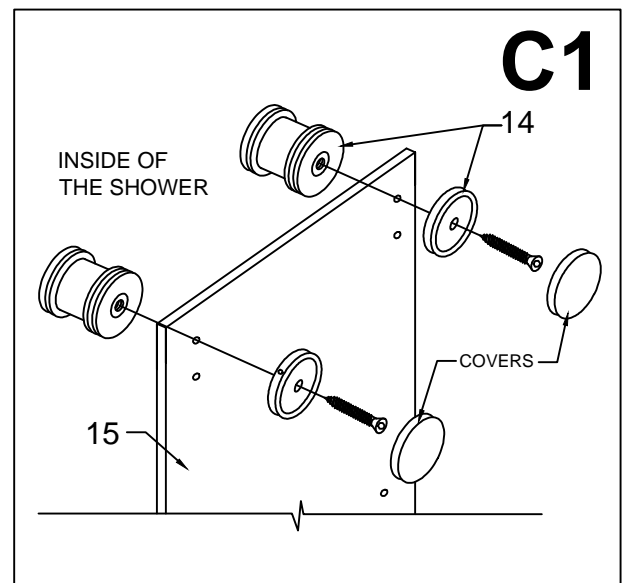


- Position the inner door panel (#7) back into the structural rail (#4) and bottom door guide (#13).

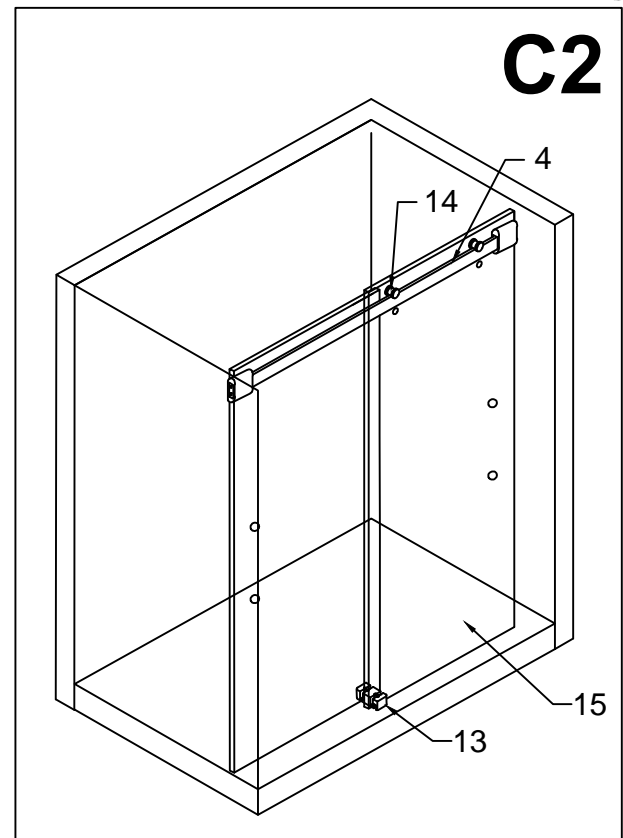


### C. INSTALLING THE OUTER DOOR PANEL

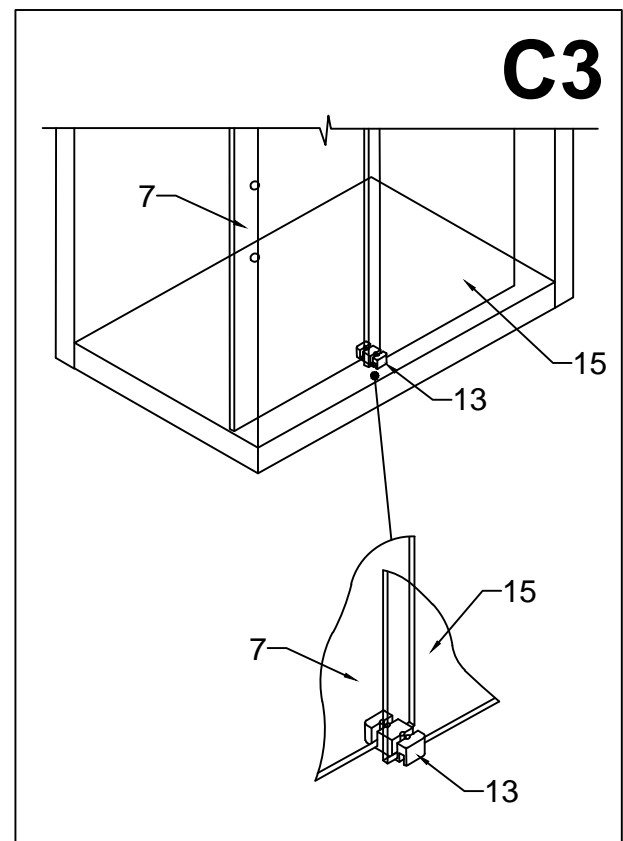
- Screw the single rollers (#14) to the outer door panel (#15) using the allen key supplied. Once tightened, place the covers on the rollers.



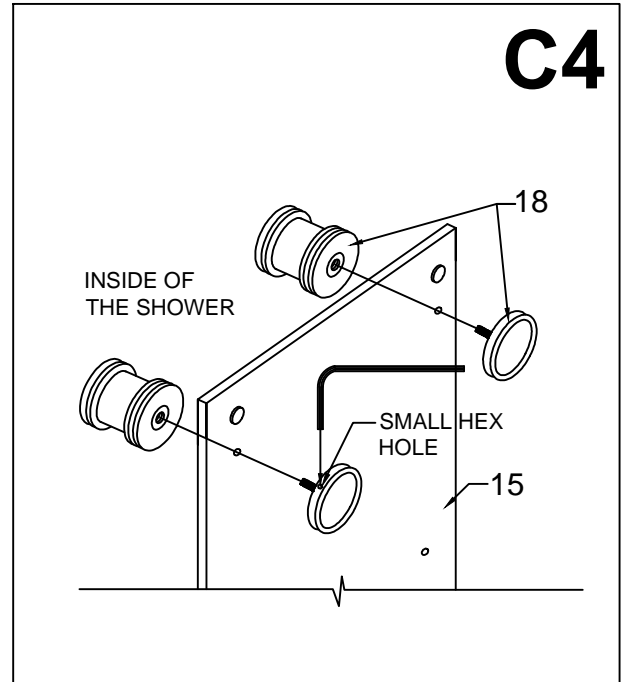
- Place the two top rollers and the outer door panel (#15) assembly onto the structural rail (#4).



- Verify that the bottom of the door rests in the front notch of the bottom door guide (#13).

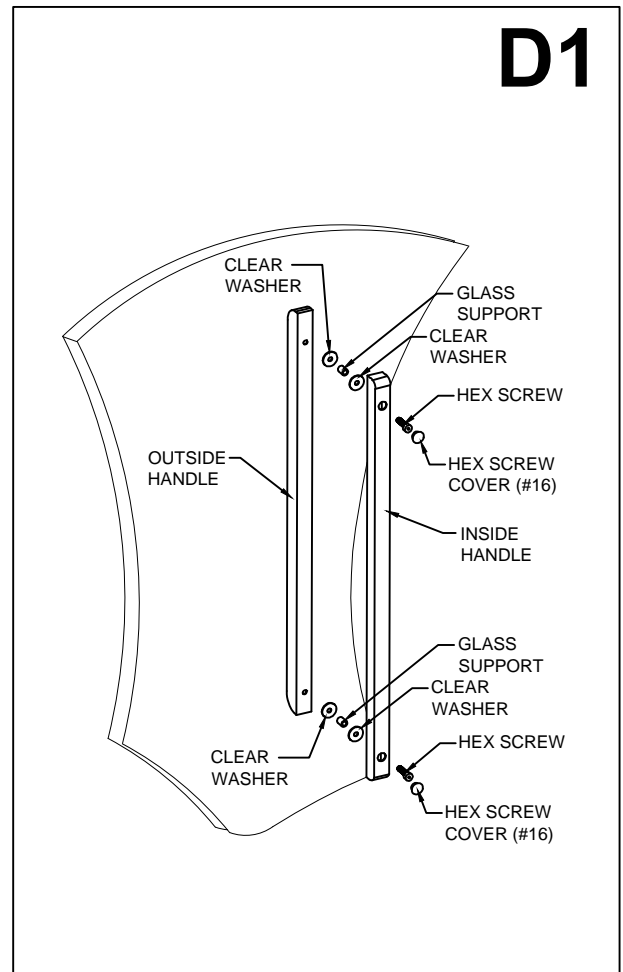


- Screw the two bottom roller guides (#18) to the door panel (#15) using the allen key supplied.



#### D. INSTALLING THE HANDLE

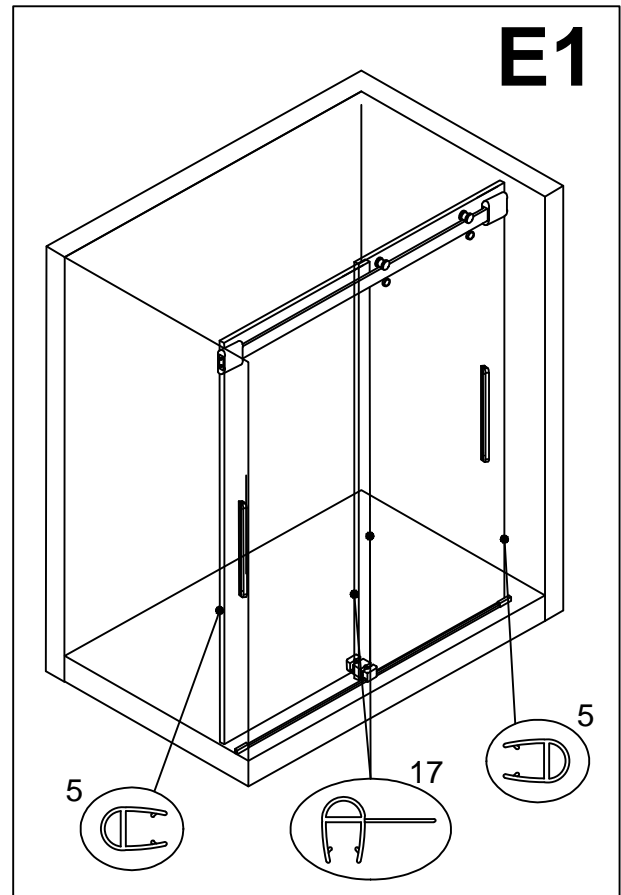
- Install the handles (#6) as shown.



## E. INSTALLING THE DOOR SEAL STRIPS

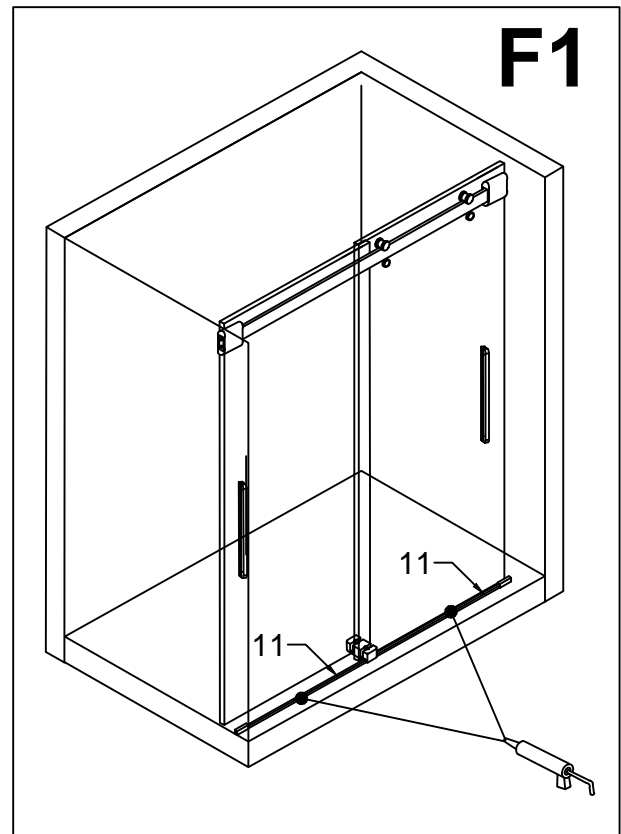
1. Attach the door seal strips (#5 and #17) to the inner door panel and the outer door panel, respectively. Start at the bottom and work your way up, using the heel of your hand to firmly press the seal strip onto the glass.

**Note:** Make sure the flange on the door seal strip with flange (#17) faces inside on the outer door panel (#15) and outside on the inner door panel (#7) to prevent any water leakage in between the doors.



## F. APPLYING THE SILICONE

1. Apply clear silicone caulking along the threshold of the shower enclosure interior.





**⚠ IMPORTANT**

- WAIT 24 HOURS BEFORE USING SHOWER
- DO NOT ALLOW WATER TO DIRECTLY HIT DOOR SEAL STRIPS.

**CLEANING INSTRUCTIONS FOR THE SHOWER CABIN AND DOOR PANEL**

1. Use a mild liquid household cleaner to keep metal surfaces bright and clean. Rinse well and dry with a soft, clean cloth.
2. Remove dust with a soft, damp cloth.
3. Use a standard household window cleaner to clean the glass panels.
4. A water beading treatment, similar to what you would use on an automobile windshield, can be used on the inside of the glass to keep it looking brand new.
5. Use rubbing alcohol to clean and remove grease, oil, paint and ink.
6. Should you accidentally scratch or stain your shower enclosure, use a liquid automobile polish to remove.

**⚠ IMPORTANT**

1. DO NOT use abrasive cleaners, scrapers, metal brushes or any items that could scratch or dull the surface.
2. DO NOT allow surface to come in contact with acetone (nail polish remover), dry cleaning solution, lacquer thinner, gasoline or other similar products.

**REGULAR CARE AND MAINTENANCE OF YOUR VIGO SHOWER ENCLOSURE**

Your home is a moving entity, shifting and settling over time. Vigo understands this and has designed their shower enclosures with this in mind. It is the responsibility of the homeowner or end user to maintain the integrity of their newly installed enclosure, using the integrated adjustability features. In order to keep your shower enclosure in optimal working condition, Vigo recommends regularly inspecting your enclosure and tightening any hardware that may have loosened during use. This simple step will insure optimal results from your Vigo shower enclosure for many years to come.

VIGO INDUSTRIES, LLC ("VIGO")  
SHOWER ENCLOSURE LIMITED LIFETIME WARRANTY

EFFECTIVE JANUARY 1, 2010

VIGO offers the following limited warranty on each of its Shower Enclosure products\* (the "Product") and the components thereof. This warranty extends only to the original owner or end-user for personal household use. For commercial uses, additional limitations apply.

VIGO warrants the structural glass component of the Product to be free from defects in workmanship and materials under normal use and service for the period commencing from the initial date of purchase by the owner or end-user, contractor, or builder, from VIGO or an authorized VIGO dealer, through the lifetime of the original owner or end-user.

VIGO warrants the hardware components of the Product to be free from defects in workmanship and materials under normal use and service for a period of two (2) years from the initial date of purchase by the owner or end-user, contractor, or builder, from VIGO or an authorized VIGO dealer.

VIGO warrants the seal strip components of the Product to be free from defects in workmanship and materials under normal use and service for a period of one (1) year from the initial date of purchase by the owner or end-user, contractor, or builder, from VIGO or an authorized VIGO dealer.

Subject to the Warranty Service provision below, any product reported to the authorized dealer or to VIGO as being defective within the warranty period will be repaired or replaced (with a product of equal value) at the option of VIGO. This warranty extends to the original owner or end-user and is not transferable to a subsequent owner.

Neither the distributor, authorized VIGO dealer, nor any other person has been authorized to make any affirmation, representation, or warranty other than those contained in this warranty. Any affirmation, representation, or warranty other than those contained in this warranty shall not be enforceable against VIGO or any other person.

VIGO reserves the right to modify this warranty at any time, it being understood that such modifications will not alter the warranty conditions applicable at the time of sale of the products in question.

#### Limitations

This warranty shall not apply to instances of incorrect operating procedures, breakages, or damages caused by fault through improper installation, carelessness, abuse, misuse, misapplication, improper maintenance, or alteration of the Product, as well as chemical or natural corrosion, accident, fire, flood, an act of God, or any other casualty. Avoid abrasive cleaners, steel wools, and harsh chemicals as these will scratch, damage, and / or dull the product and / or finish and void this warranty. The owner/end-user of the Product covered by the present warranty is entirely responsible for its proper installation and any applicable plumbing or electrical wiring. VIGO neither installs nor supervises the installation nor hires a contractor for this purpose; consequently, VIGO cannot be held responsible for any default, breakage, or damages caused thereby or resulting thereof, either directly or indirectly.

The owner/end-user must provide access to the components of the Product as described in the installation guide so that VIGO can execute the warranty specified herein. If such access is not available, all expenses to provide said access will be the responsibility of the owner/end-user.

This warranty does not apply to Products that have not been installed or operated in accordance with instructions supplied by VIGO and all applicable rules, regulations, and legislation pertaining to such installations.

This warranty does not apply unless the VIGO Product is installed by fully insured licensed professionals. VIGO strongly recommends that such licensed professionals have experience in the installation of bathroom and kitchen products. Installation of certain products, including, without limitation, glass products (i.e., shower doors and glass sinks) by an inexperienced person may result in glass breakage and, consequently, cause personal injury or death.

VIGO is not liable for personal injuries or deaths to any persons or for any direct, special, incidental, or consequential damage, loss of time, loss of profits, inconvenience, incidental expenses, labor or material charges, or any other costs resulting from the use of the product or equipment or pertaining to the application of the present warranty, or resulting from the removal or replacement of any product or element or part covered by this warranty.

EXCEPT AS OTHERWISE PROVIDED ABOVE, VIGO MAKES NO WARRANTIES, EXPRESSED OR IMPLIED, INCLUDING WARRANTIES OF MERCHANTABILITY AND FITNESS FOR A PARTICULAR PURPOSE OR COMPLIANCE WITH ANY CODE.

In any case, VIGO cannot be held liable for any amount over and above the purchase price paid for the Product by the owner/end-user, contractor, or builder.

#### Commercial Limitations

In addition to the above conditions and limitations, the warranty period for products installed for commercial applications or used in commercial ventures is one (1) year from the initial date of purchase by the owner/end-user, contractor, or builder from an authorized dealer. VIGO is not responsible for loss of use or profit under any circumstances. If the product is used as a display, the warranty period begins when the product is placed on display. This warranty gives the owner/end-user specific legal rights. The owner/end-user may also have other rights which can vary from one state or province to another.

#### Warranty Service

In order to obtain service provided under this warranty during regular business hours, contact the dealer or distributor who sold the unit, or contact VIGO directly. VIGO will provide the warranty service described above when the following conditions have been met: the failure is of the nature or type covered by the warranty; the user has informed an authorized VIGO Agent or VIGO's warranty service department representative of the nature of the problem during the warranty period; conclusive evidence (e.g., proof of purchase or installation) is provided to the foregoing by the user proving that the failure occurred or was discovered within the warranty period; an authorized independent service person or company representative has been permitted to inspect the product during regular business hours within a reasonable time after the problem was reported by the user. VIGO's warranty obligation shall be discharged upon tender of replacement or repair. The customer's refusal to accept the tender terminates VIGO's warranty obligations.

\*Certain models are pending approval.  
Certification may be ended by VIGO or certification agencies without notice.