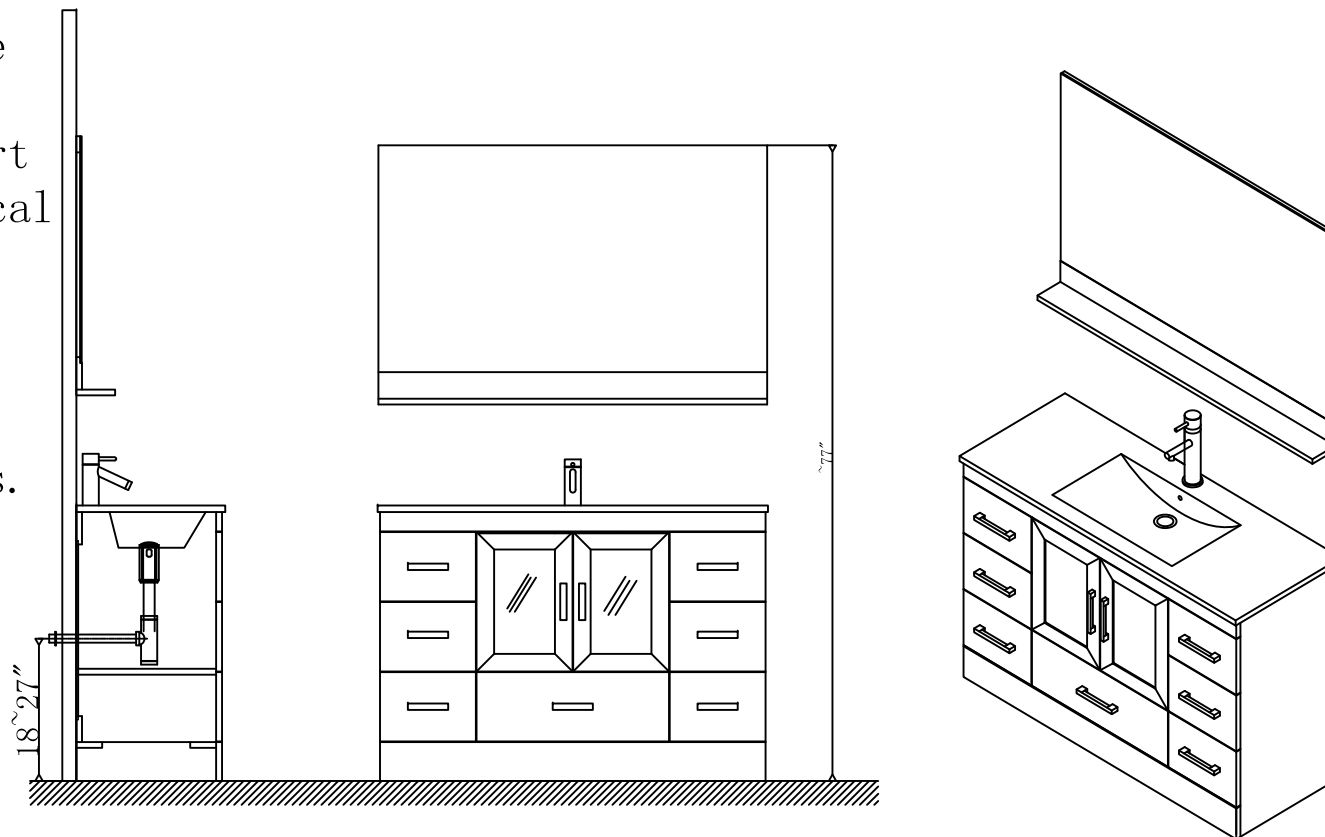


.Prior to installation please check received items against the Packing List Please report any missing items to your local dealer immediately.

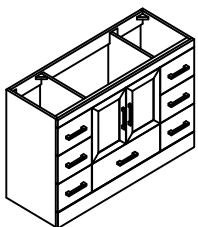
.Protect all surfaces from sharp objects, high heat sources, direct prolonged sunlight and chemical hazards.

.Professional installation recommended.

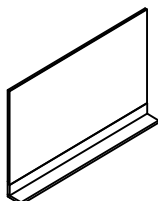


PACKING LIST

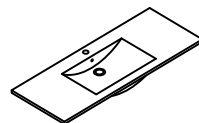
1. Main cabinet



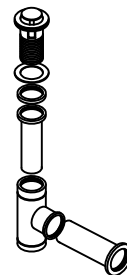
2. Mirror



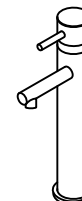
3. Ceramic basin



4. Pop up+Drain pipe



5. Faucet



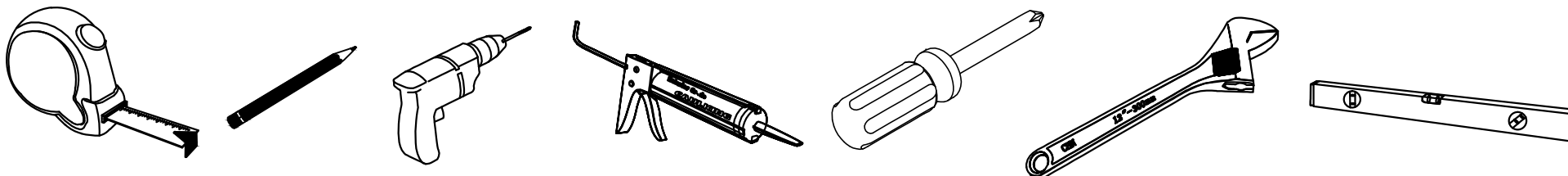
6. Screws



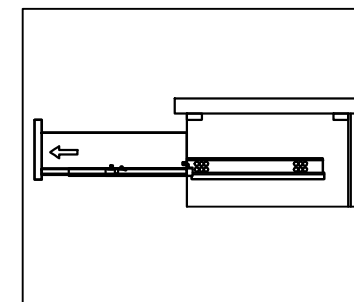
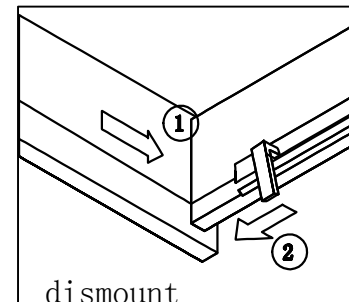
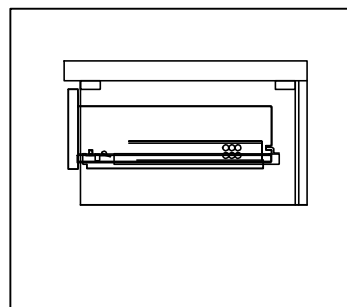
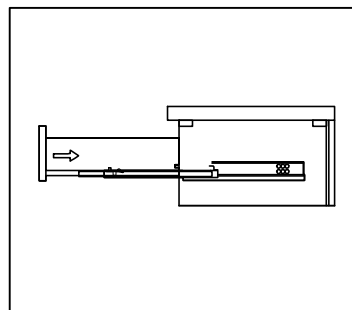
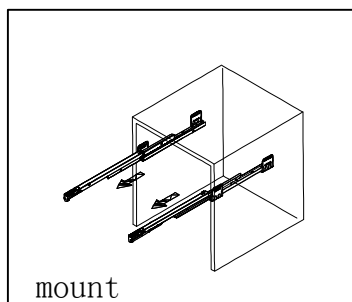
7. Install screw



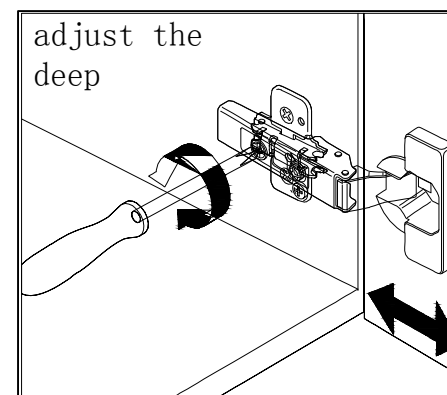
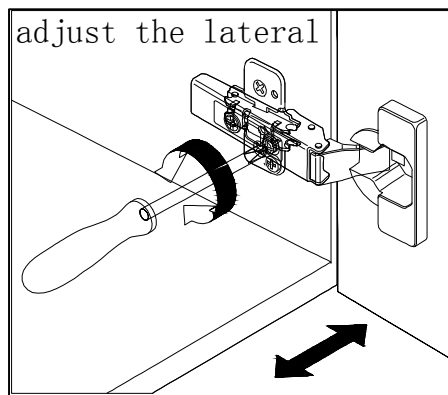
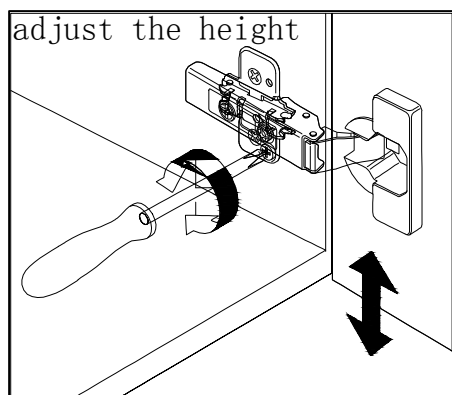
REQUIRED TOOLS



DRAWER SLIDER ATTACHMENT AND DETACHMENT



INSTALLATION AND ADJUSTMENT OF HINGE



SKU : MS-6748

SIZE:1190x450x830

PROHIBIT COPY

