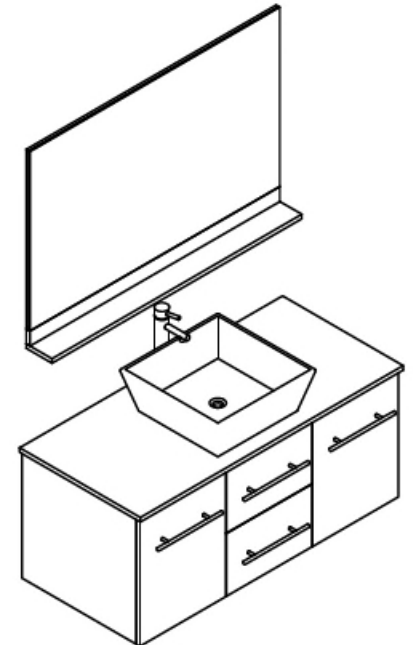
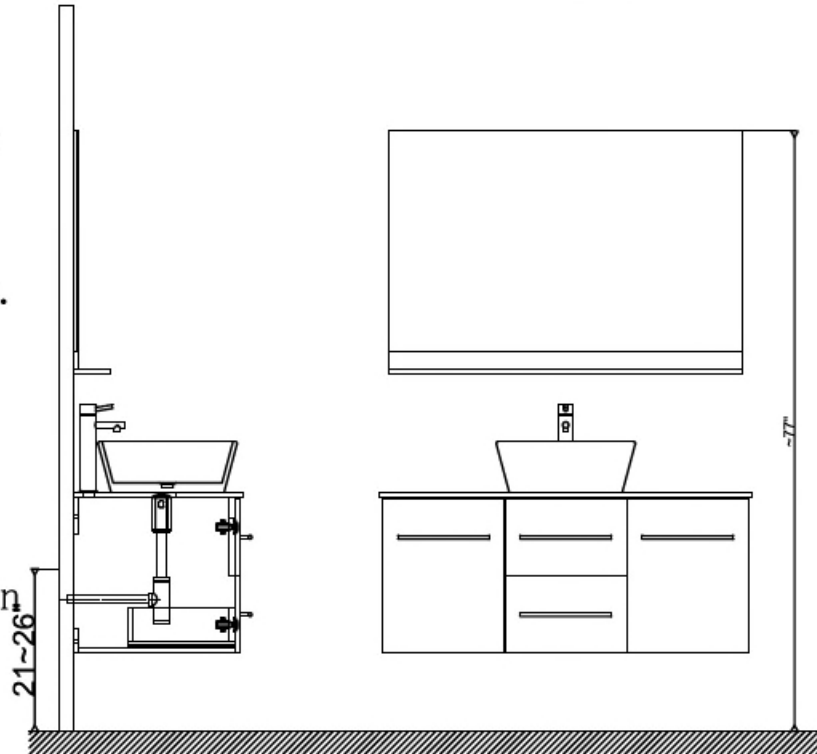
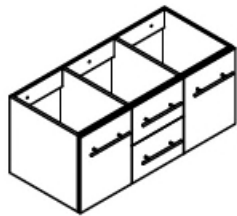


.Prior to installation please check received items against the Packing List Please report any missing items to your local dealer immediately.
 .Protect all surfaces from sharp objects, high heat sources, direct prolonged sunlight and chemical hazards.
 .Professional installation recommended.

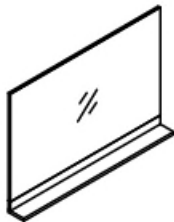


PACKING LIST

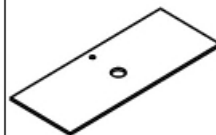
1. Main cabinet



2. Mirror



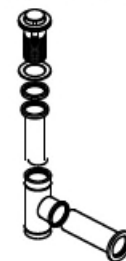
3. Top



4. Ceramic basin



5. Pop up+Drain pipe



6. Faucet



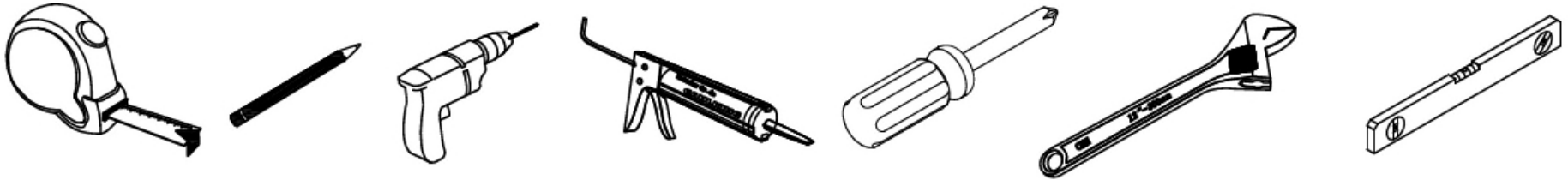
7. Screws



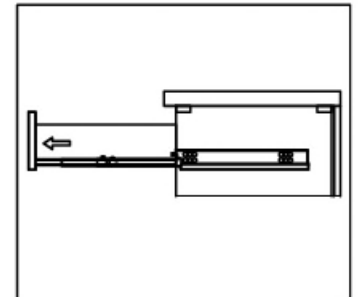
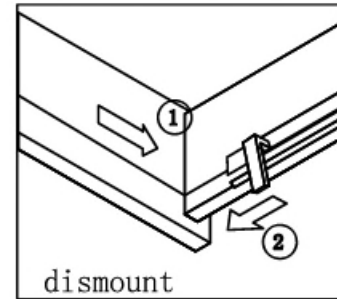
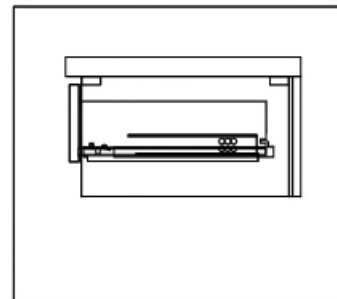
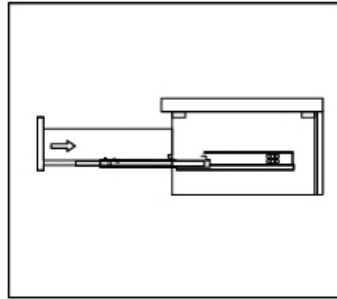
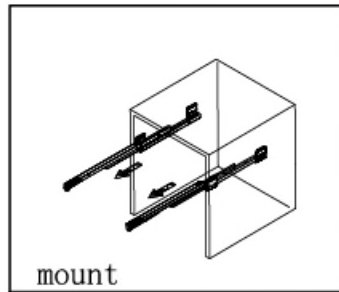
8. Install screw



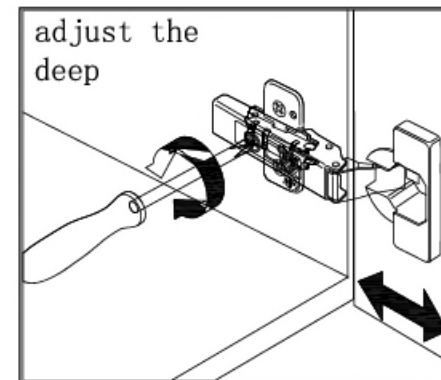
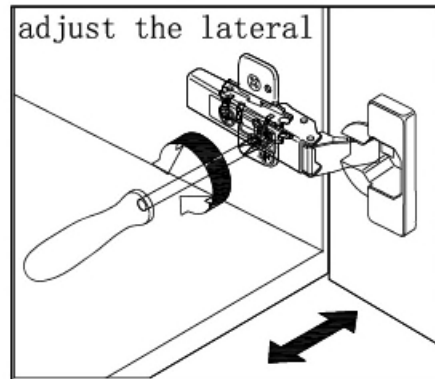
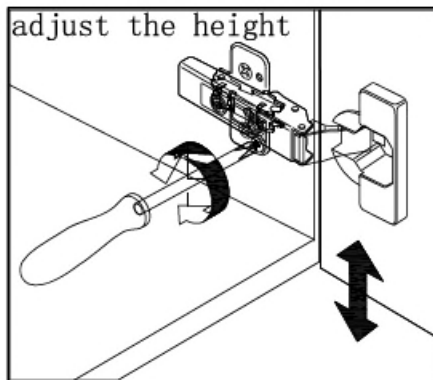
REQUIRED TOOLS

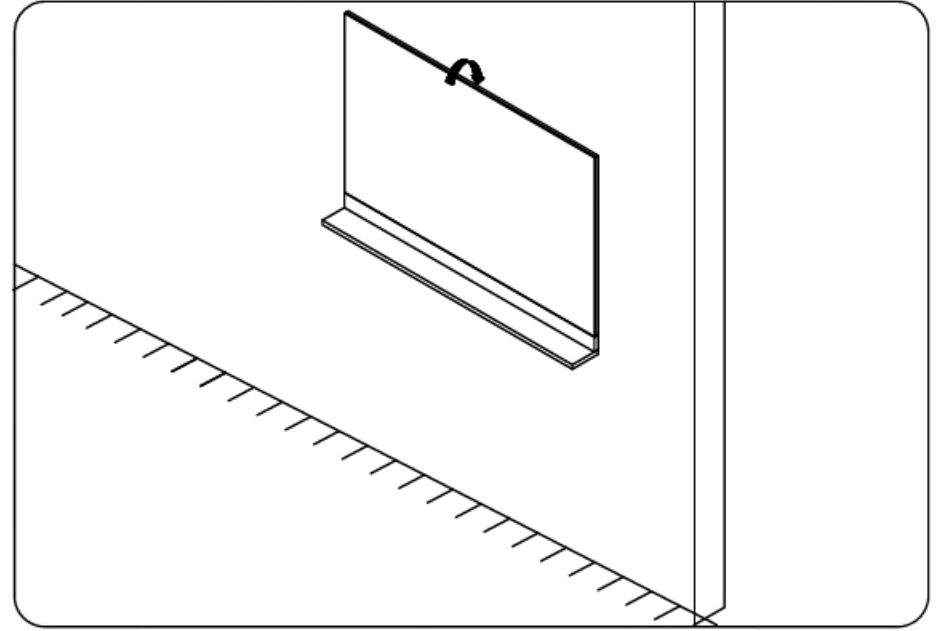
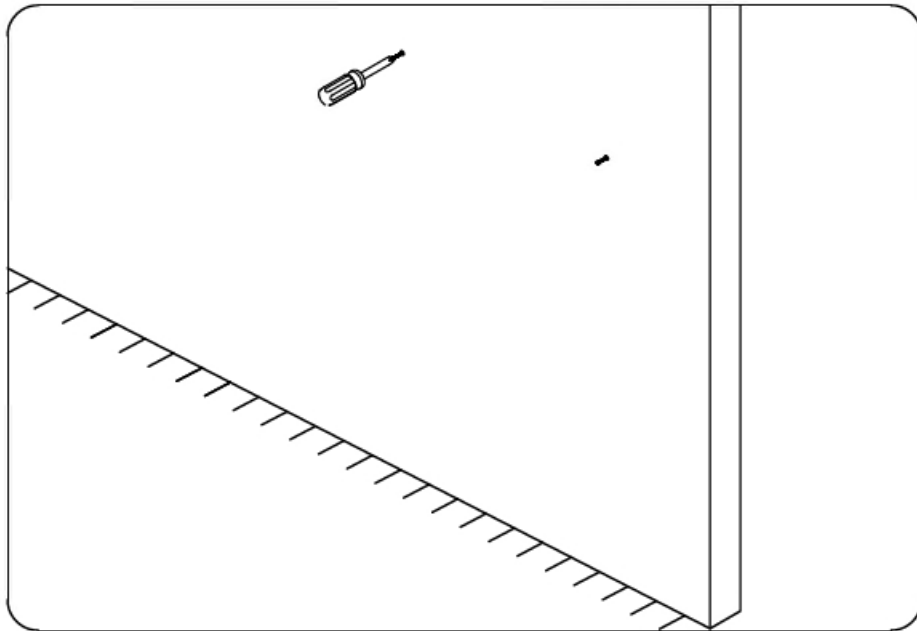
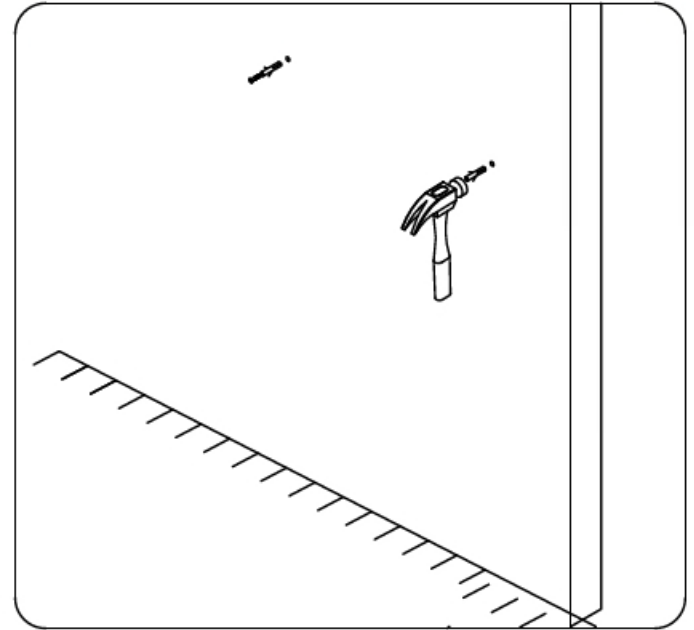
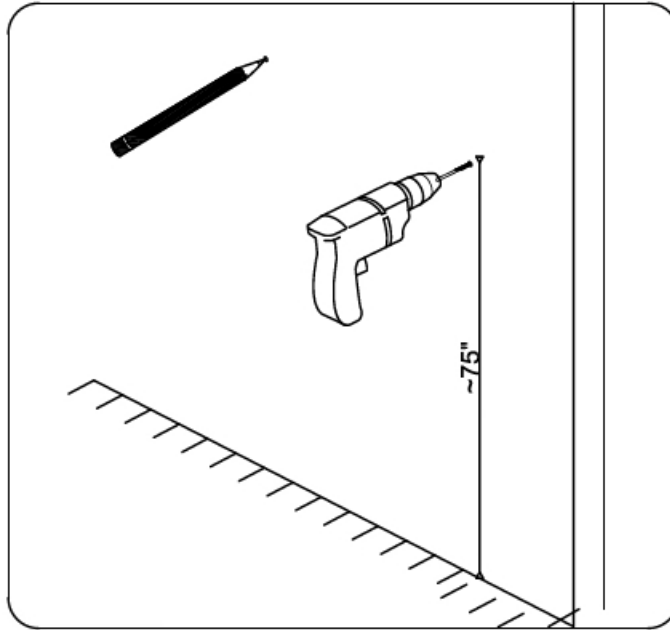
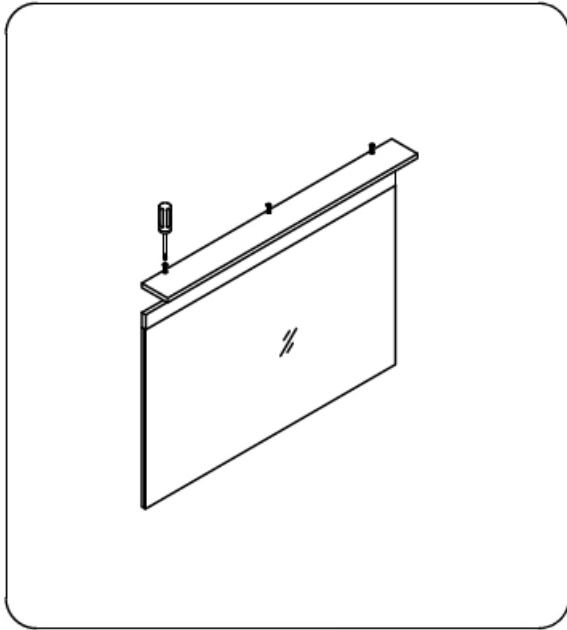


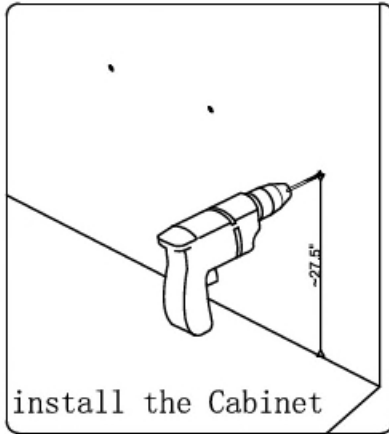
DRAWER SLIDER ATTACHMENT AND DETACHMENT



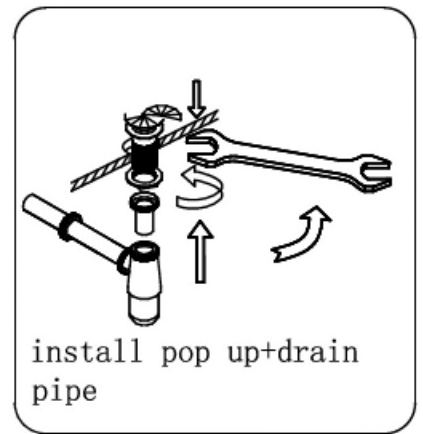
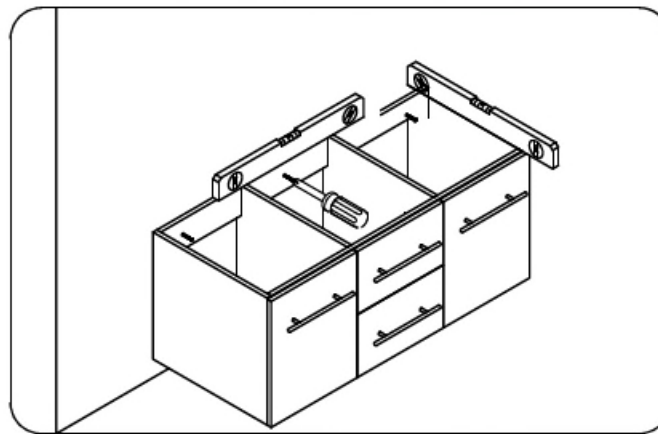
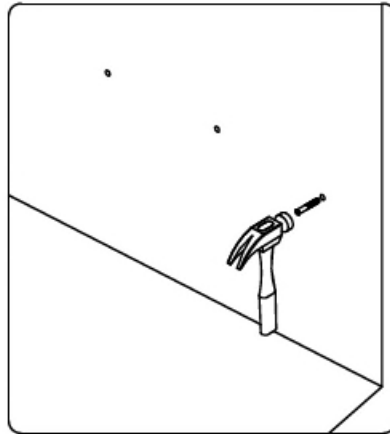
INSTALLATION AND ADJUSTION OF HINGE



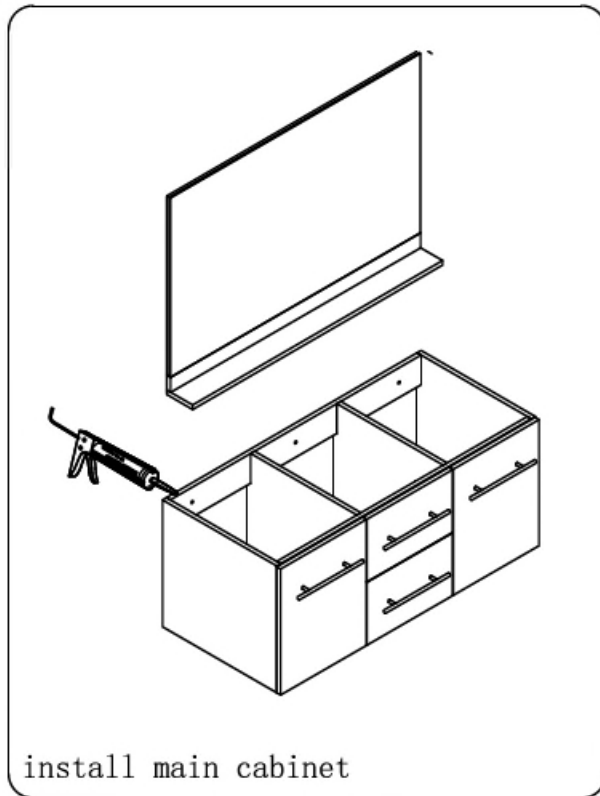




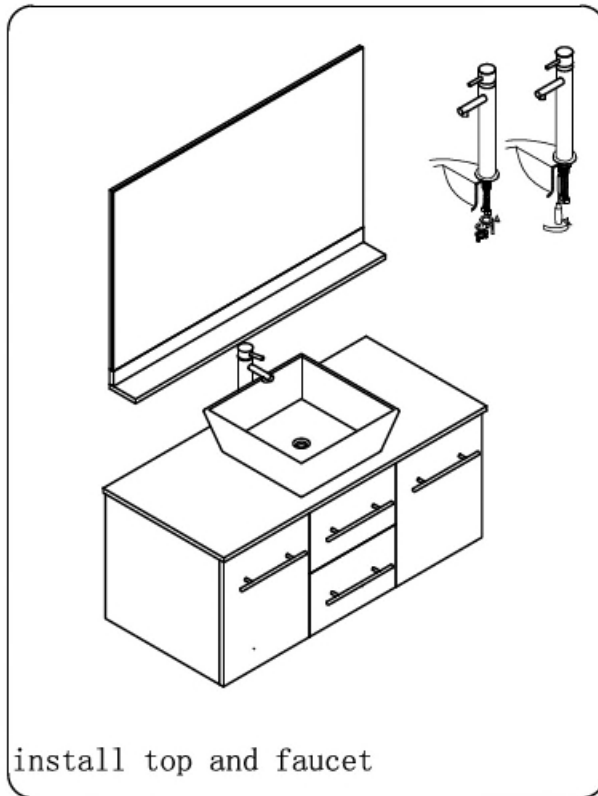
install the Cabinet



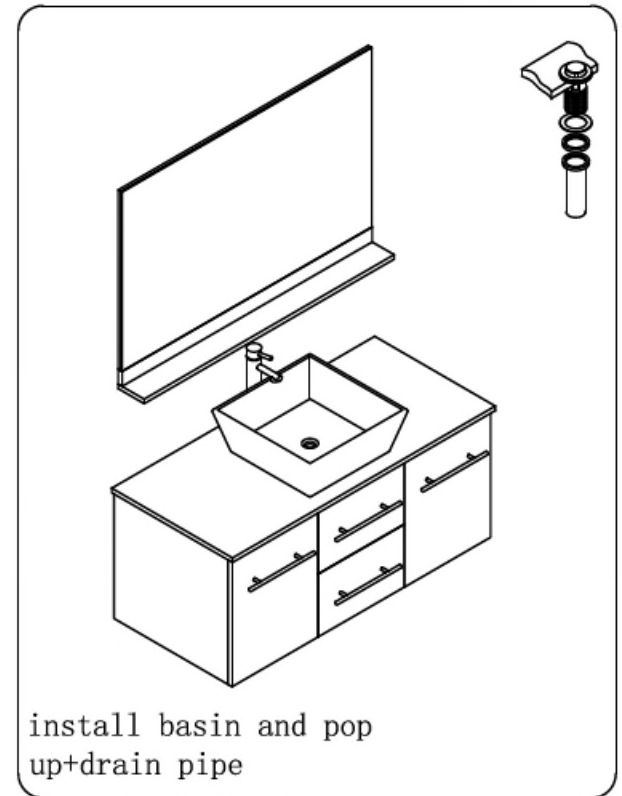
install pop up+drain pipe



install main cabinet



install top and faucet



install basin and pop up+drain pipe