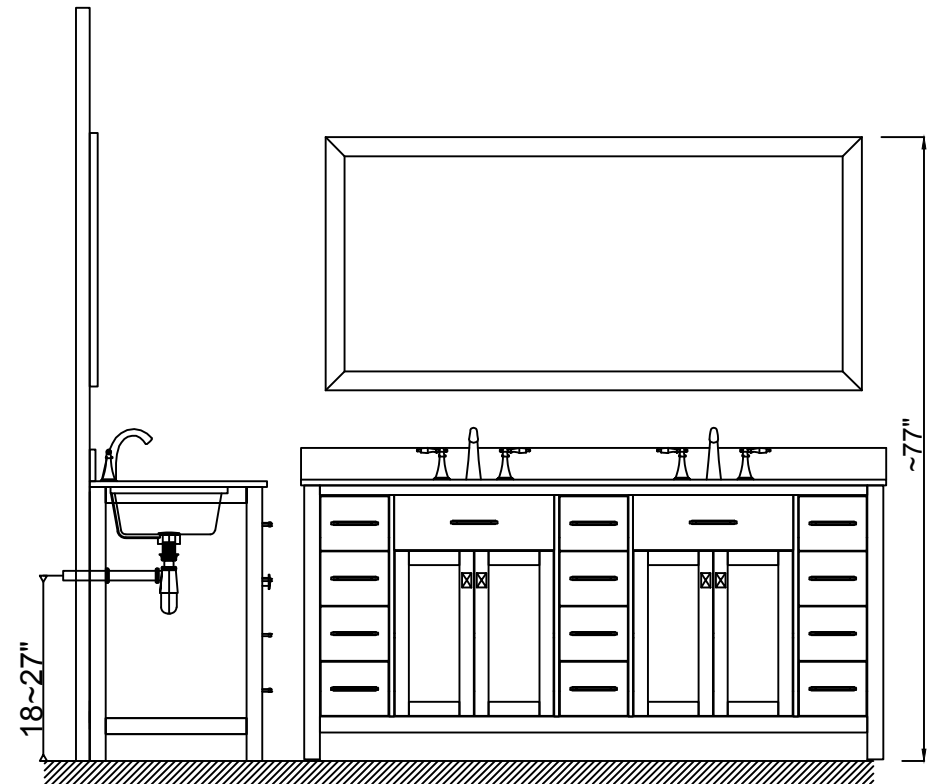


Prior to installation, please check the items you have received against the packing list. Report any missing items to your local dealer immediately.

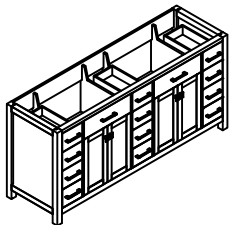
Protect all surfaces from sharp objects, high heat sources, direct prolonged sunlight and chemical hazards.

Professional installation is recommended.

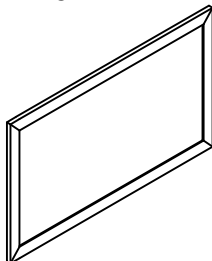


PARTS LIST (may differ depending on purchase)

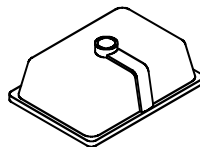
Cabinet



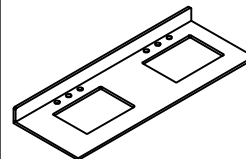
Mirror



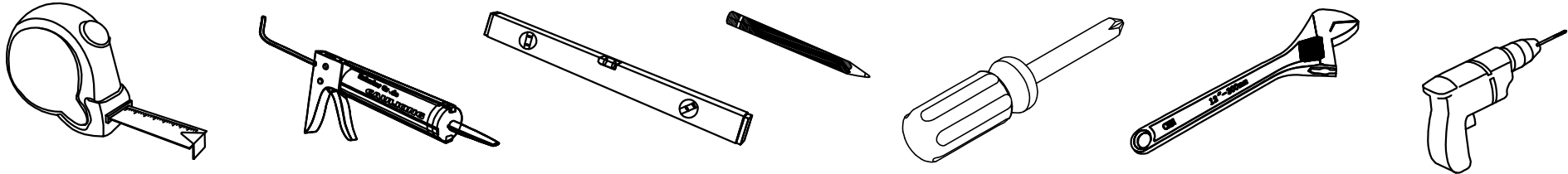
Basin



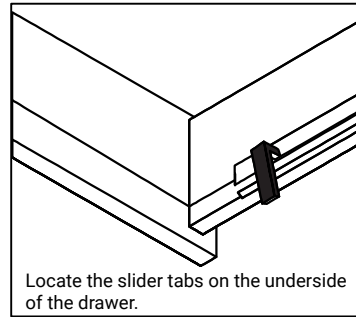
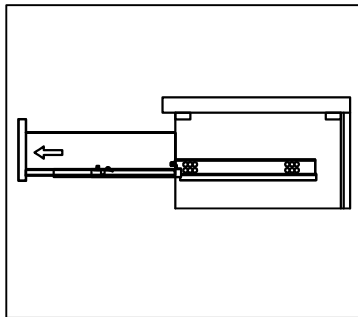
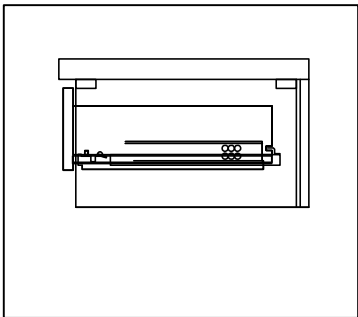
Top



REQUIRED TOOLS



DRAWER REMOVAL



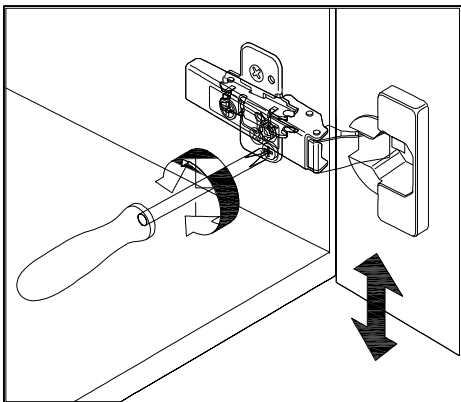
REMOVAL

1. Pull tabs toward center
2. Lift and pull drawer out

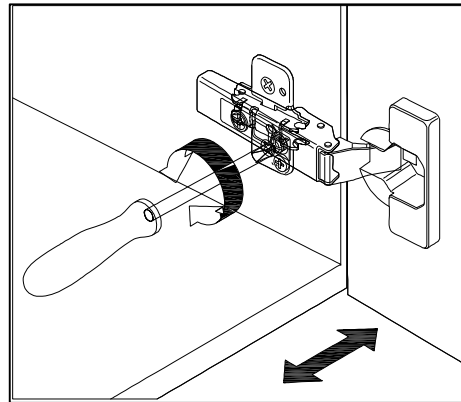
RE-INSTALL

1. Align drawer hole with slider stud
2. Push tabs back in to secure

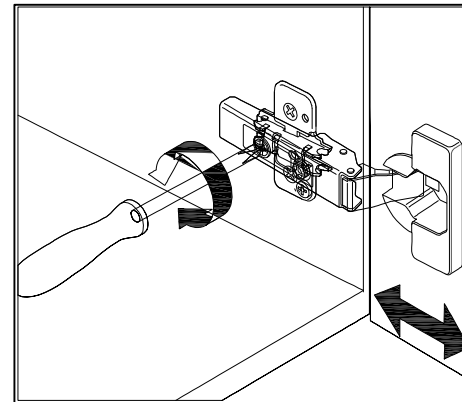
DOOR ADJUSTMENT



Adjusts the door vertically

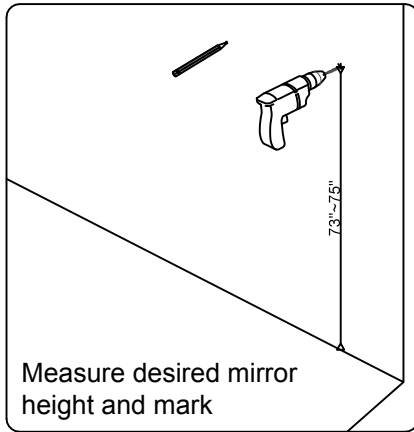


Adjusts the door horizontally

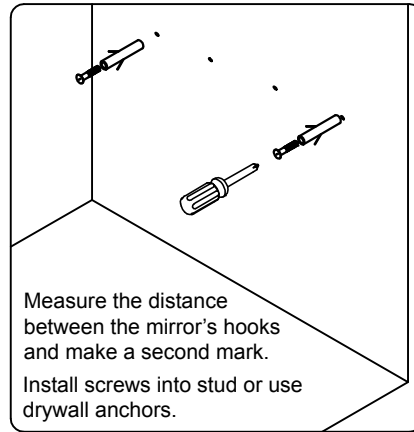


Adjusts the door forward and backwards

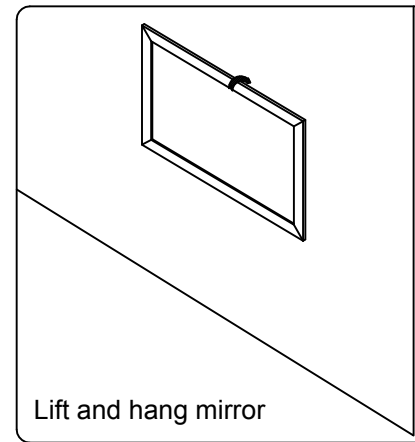
Mirror Installation



Measure desired mirror height and mark

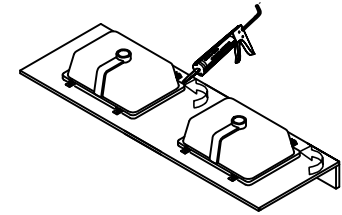


Measure the distance between the mirror's hooks and make a second mark.
Install screws into stud or use drywall anchors.



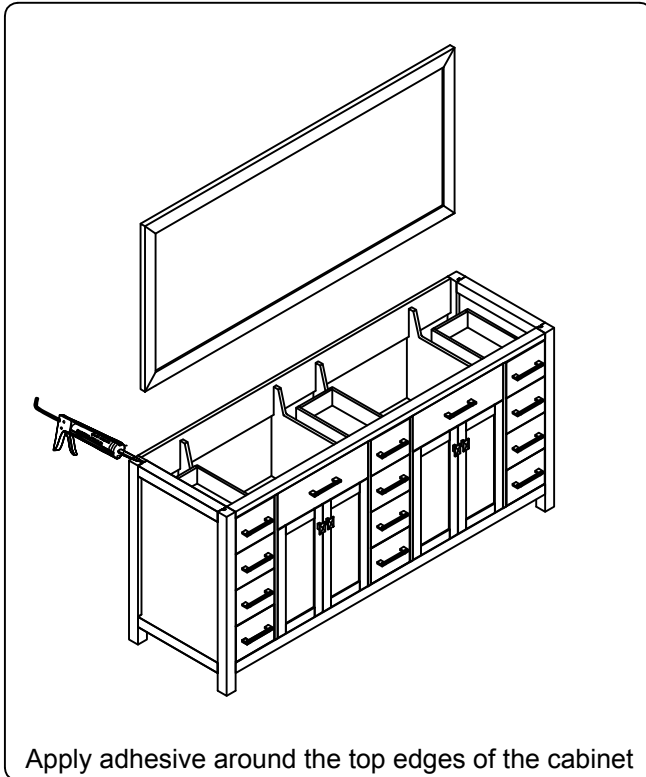
Lift and hang mirror

Basin Installation

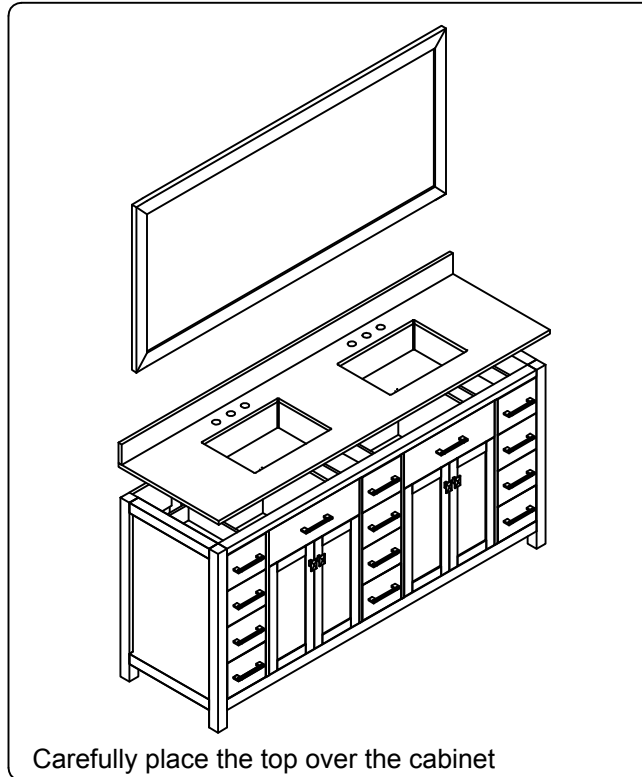


Apply sealant around the top edge of the sink rim. Flip top over and align basin to cutout. Screw in threaded bolts to each block. Secure plates with washer then wing nuts.

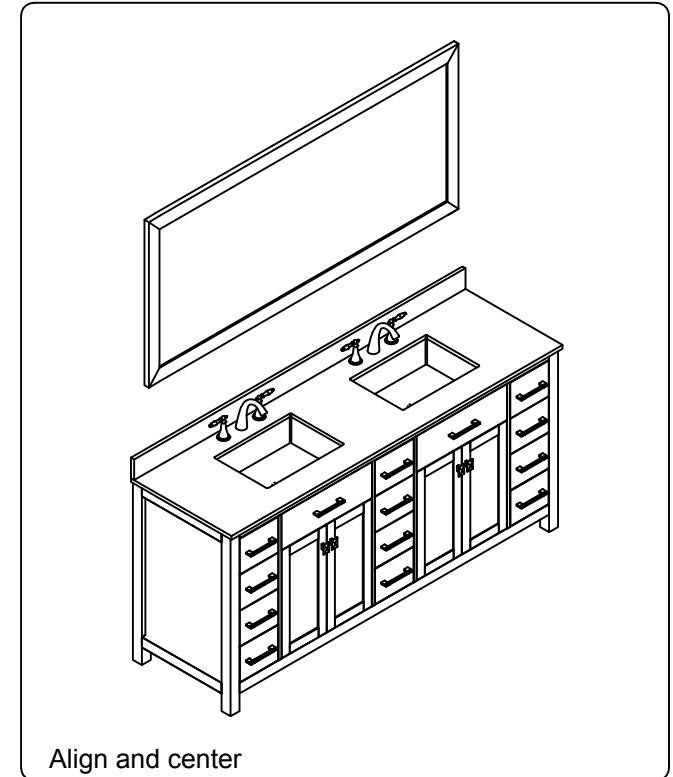
Top Installation



Apply adhesive around the top edges of the cabinet



Carefully place the top over the cabinet



Align and center