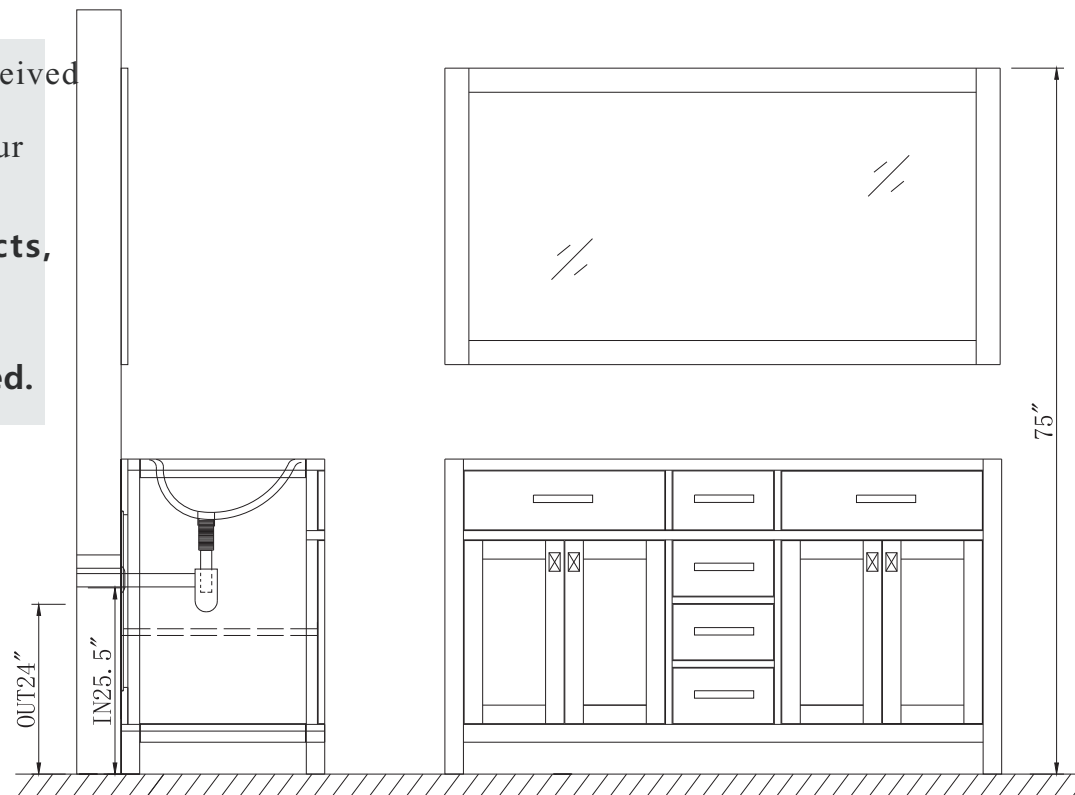


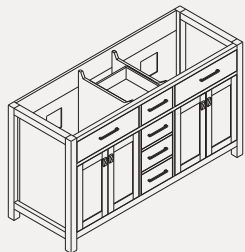
• Prior to **installation** please check received items **against** the **Packing List**  
 Please report any **missing** items to your local dealer **immediately**.

• Protect all **surfaces** from sharp **objects**, high heat sources, direct **prolonged** sunlight and **chemical hazards**.

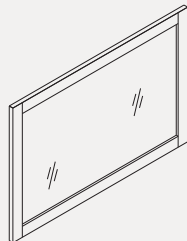
• **Professional** installation recommended.



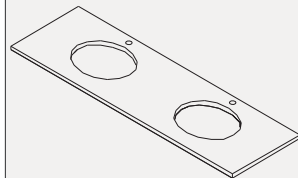
**PACKING LIST**



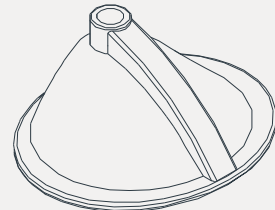
Main cabinet/1



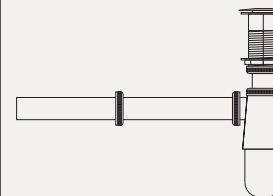
Mirror/2



top/3



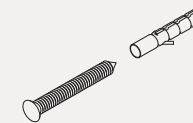
Ceramic basin/4



POP UP+Drain pipe/5



FAUCET/6



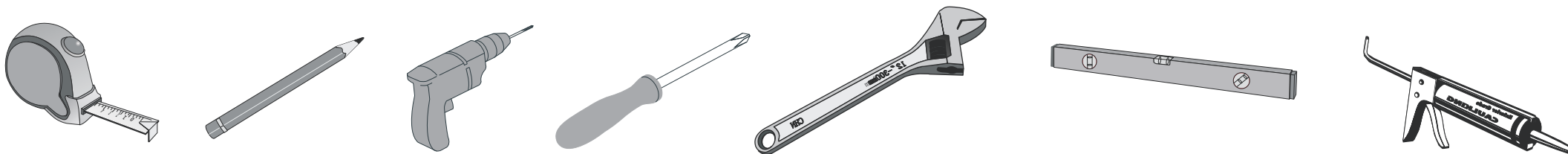
Install screw/7

SKU:MD-2060

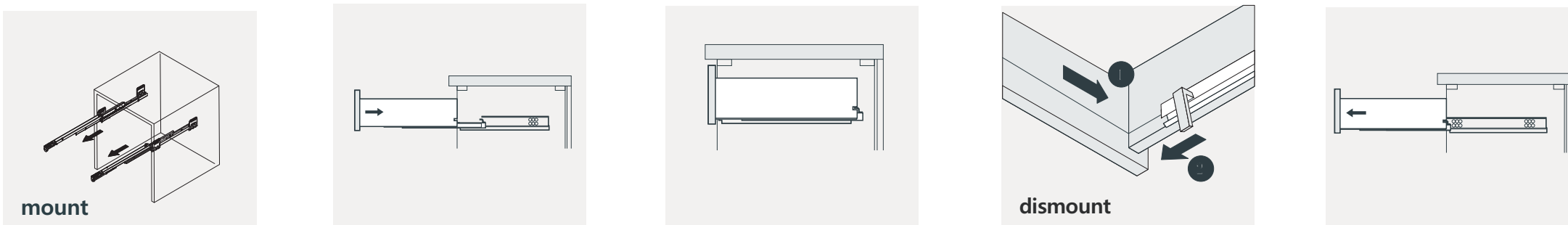
SIZE:1504x550x850m

**PROHIBIT COPY**

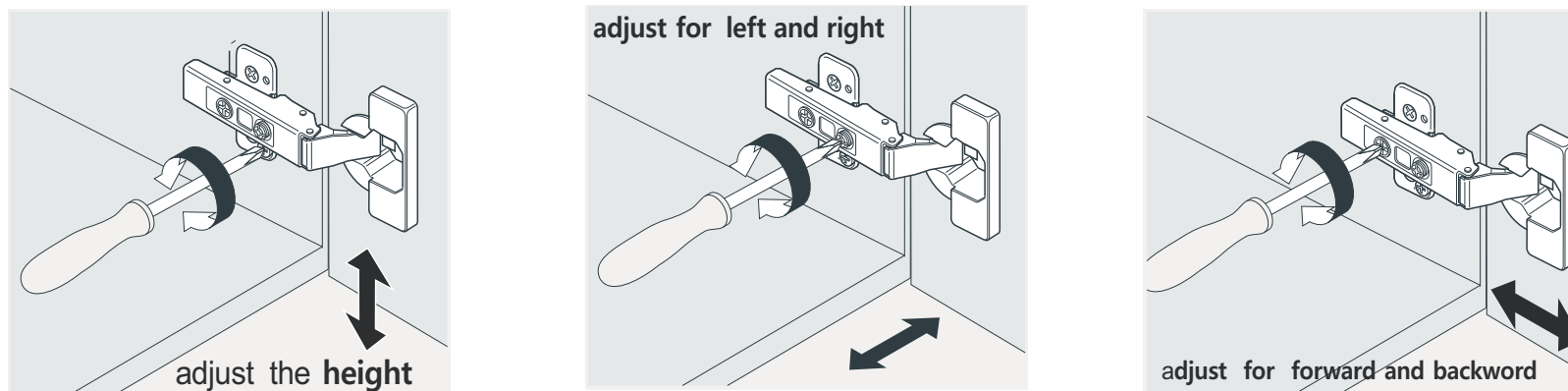
**REQUIRED TOOLS**



**DRAWER SLIDER ATTACHMENT AND DETACHMENT**



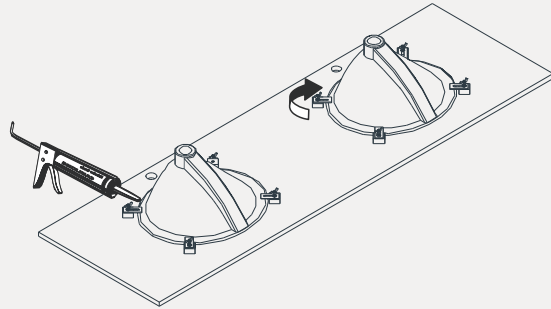
**INSTALLATION AND ADJUSTMENT OF HINGES**



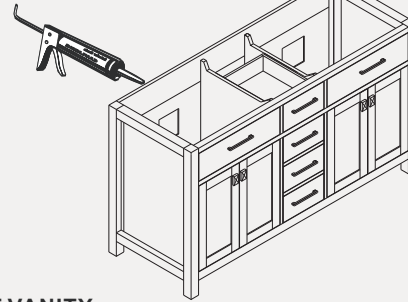
SKU:MD-2060

SIZE:1504x550x850m

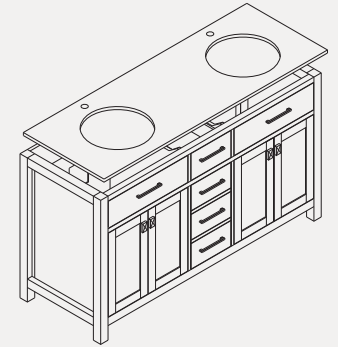
**PROHIBIT COPY**



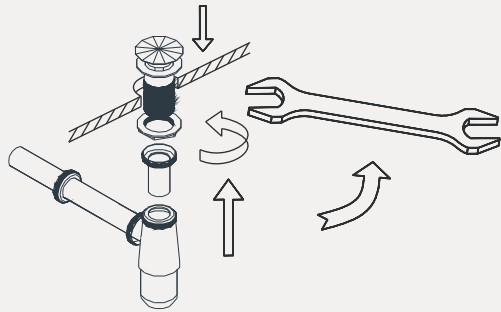
1: Install BASIN a



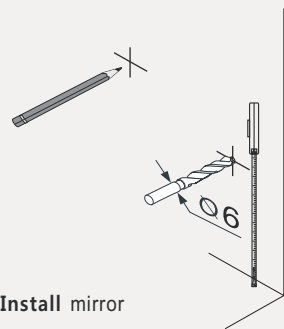
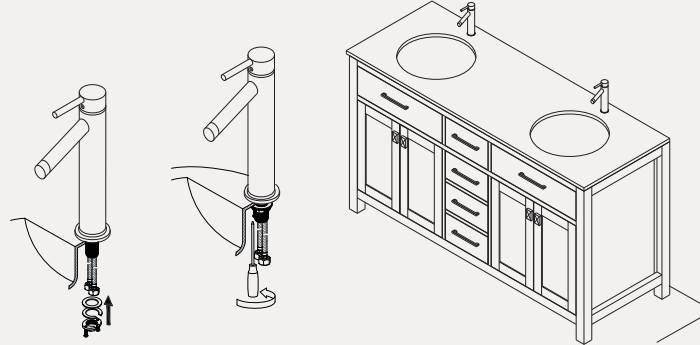
2: GLUE AT VANITY



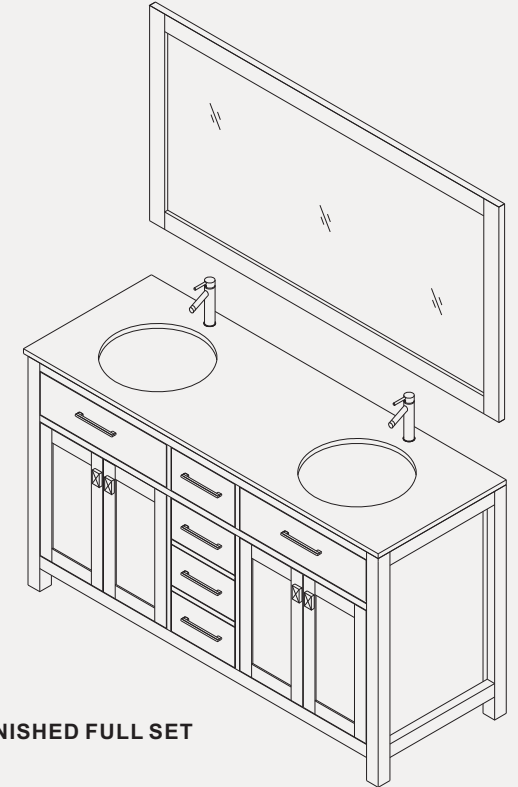
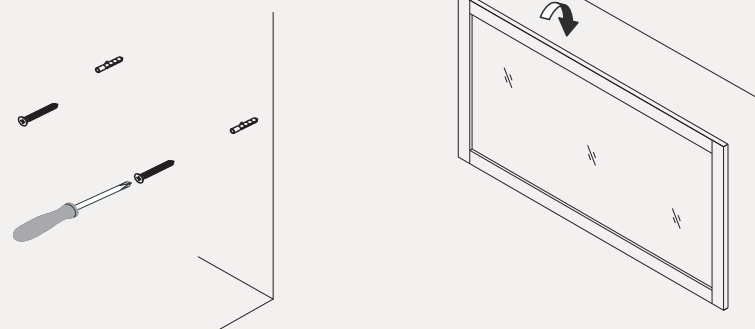
3: Install TOP AT VANITY.



4: Install the pop up and faucet.



5: Install mirror



6: FINISHED FULL SET