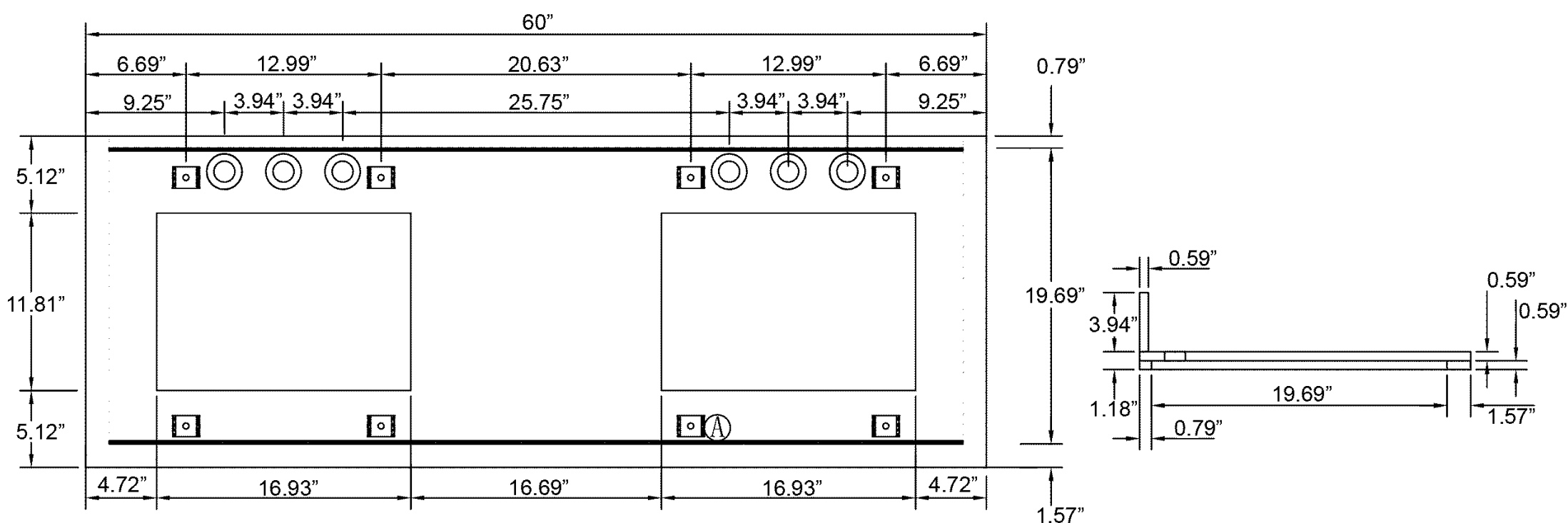




VIRTU USA

M60-CTSQ-WM30

- Your vanity top will remain in its original state if you maintain and clean it properly.
- Clean the surface with a glass cleaner or other household cleansers that are non-abrasive. Using abrasive cleansers will damage the surface. If necessary, a soft buffing pad can be used.
- Liquid spills, such as alcohol, medications, etc should be cleaned up promptly. Some liquids with high-acid content can etch natural stone surfaces if left for any length of time. Popular products that should be promptly cleaned up are: shaving cream, toothpaste, perfume, cologne, nail polish remover, hair coloring and perm products, shampoo, drain opener, and toilet bowl cleaner.
- Place protective pads on the bottoms of any heavy objects, such as pottery, appliances, or other objects that may scratch the natural stone surface.
- DO NOT stand on the natural stone top to fix overhead lights or other items.
- DO NOT place extremely heavy items on the top.
- DO NOT place hot items, such as curling irons, on the surface of the vanity top for extended periods of time.



Top View

Side View

*Virtu USA vanities are hand-crafted and may vary with a minor manufacturing tolerance.
 Natural stone characteristics are very subjective and may vary with natural veining, crystallization and lining.*