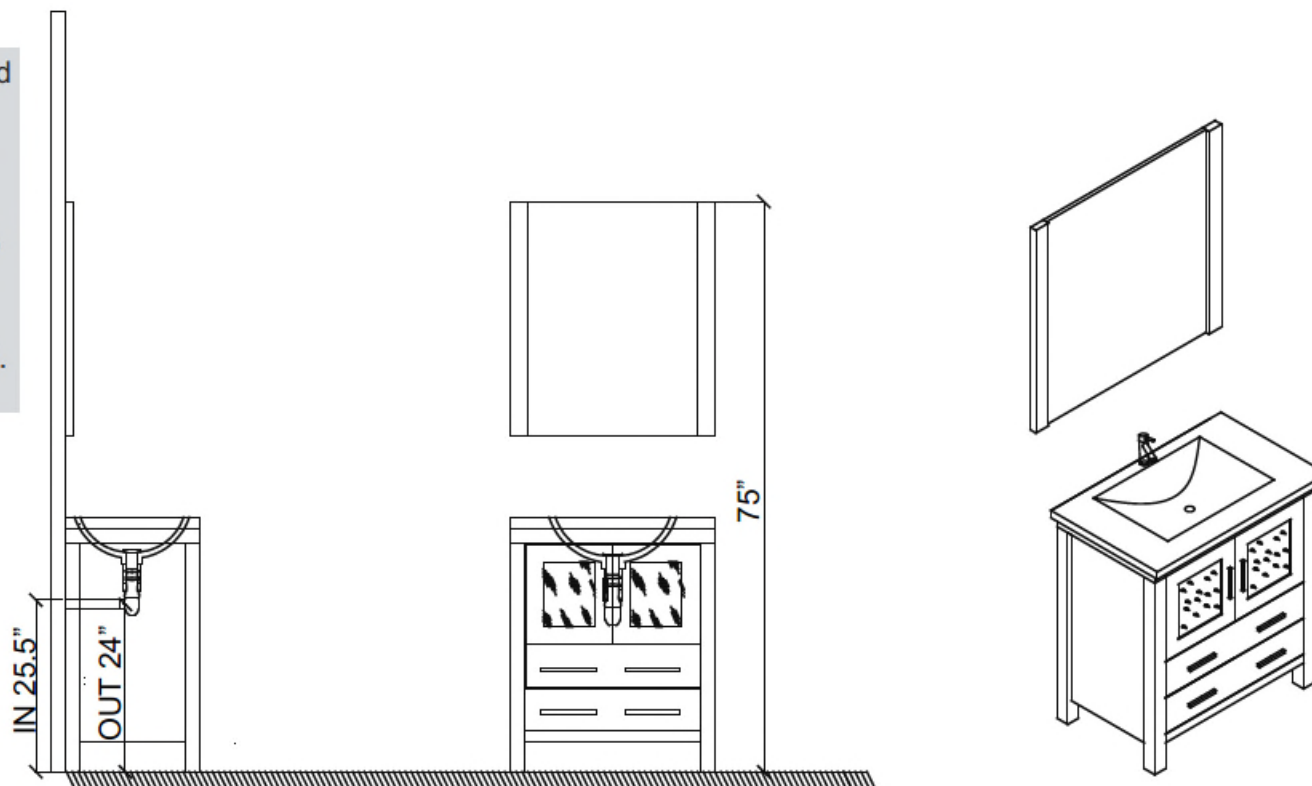
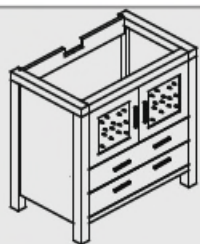


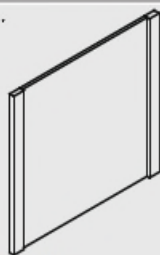
- Prior to installation please check received items against the Packing List . please report any missing items to your local dealer immediately.
- Protect all surfaces from sharp objects, high hert sources,direct prolonged sunlight and chemical hazards.
- Professional installation recommended.



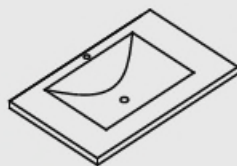
PACKING LIST



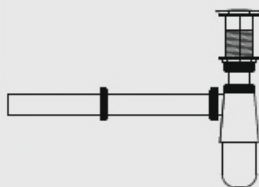
Main cabinet/1



Mirror/2



top/3



POP UP+Drain pipe/4



FAUCET/5



Install screw/6



INSTALLATION INSTRUCTIONS

Confidential : A

SKU:28"

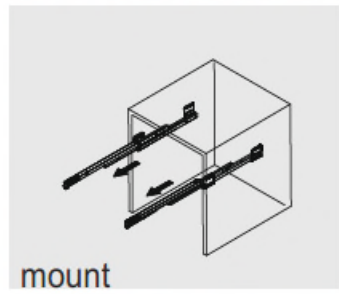
SIZE:700x460x880mm

PROHIBIT COPY

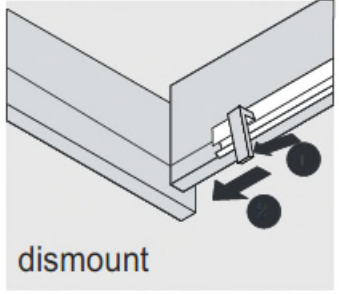
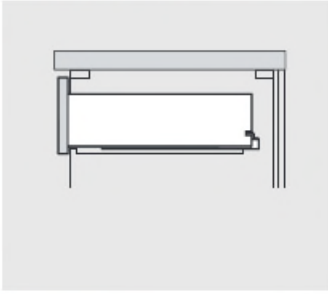
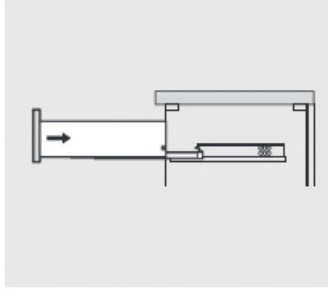
REQUIRED TOOLS



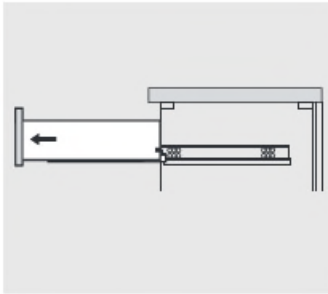
DRAWER SLIDER ATTACHMENT AND DETACHMENT



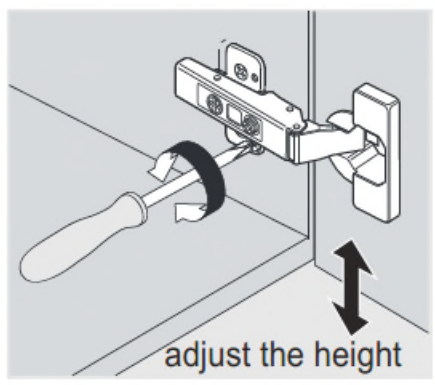
mount



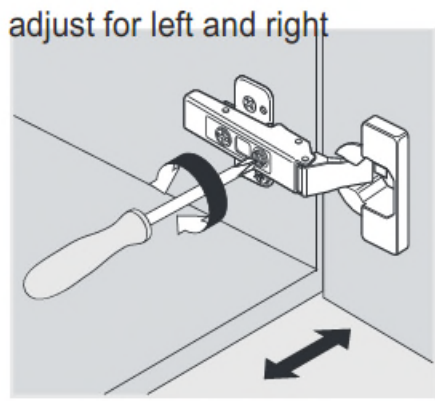
dismount



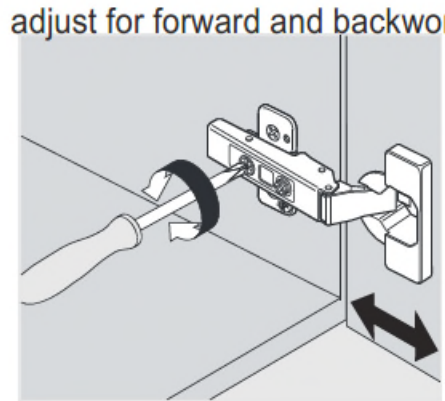
INSTALLATION AND ADJUSTMENT OF HINGES



adjust the height

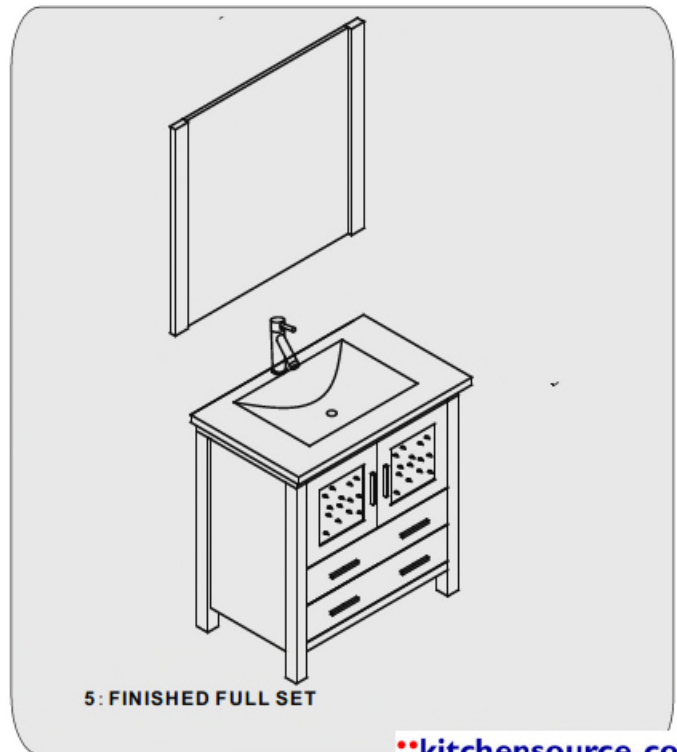
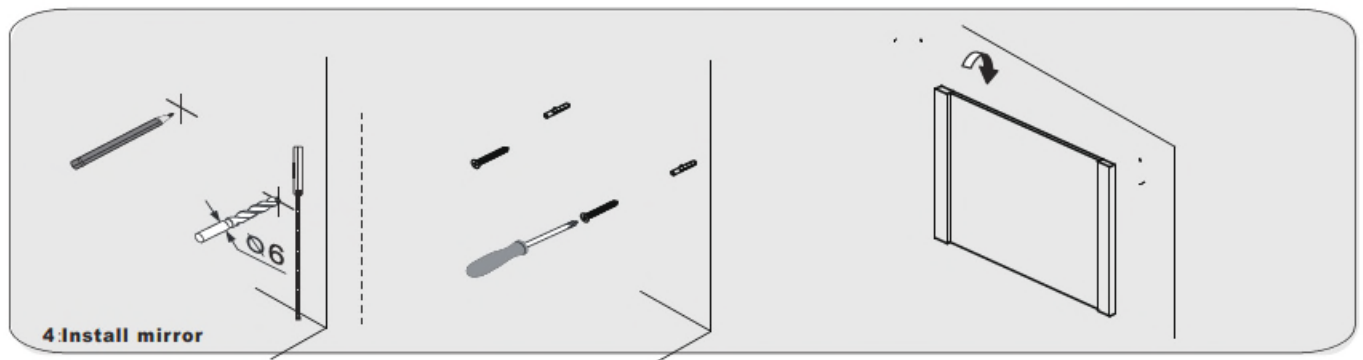
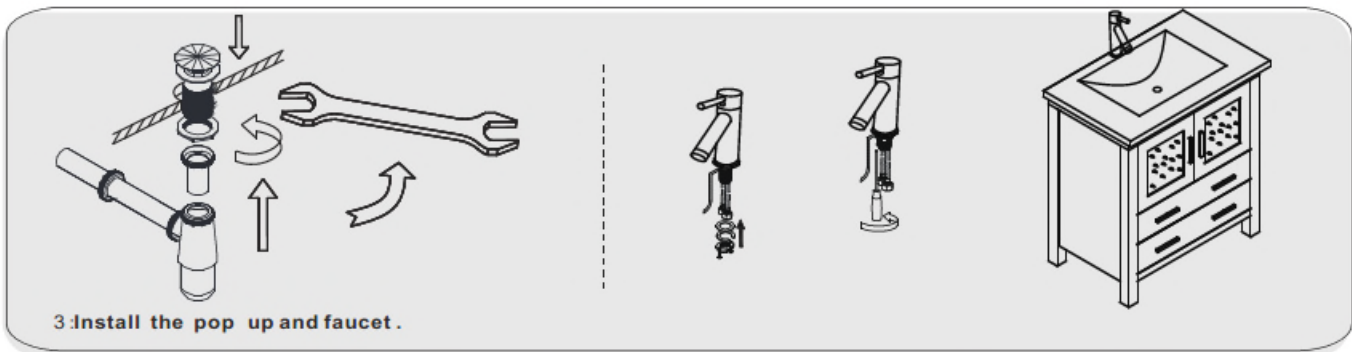
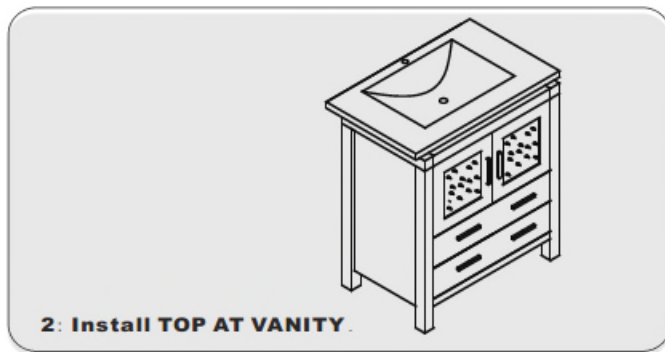
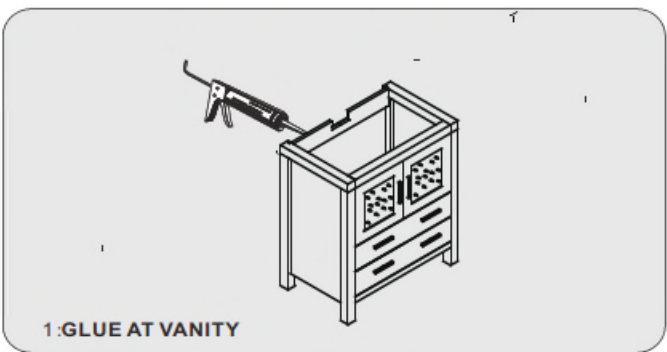


adjust for left and right



adjust for forward and backward

INSTALLATION PROCESS





INSTALLATION INSTRUCTIONS

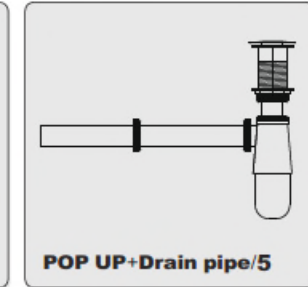
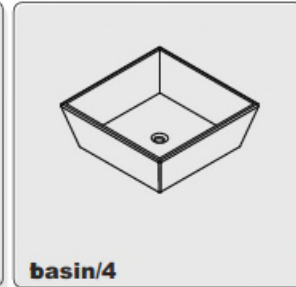
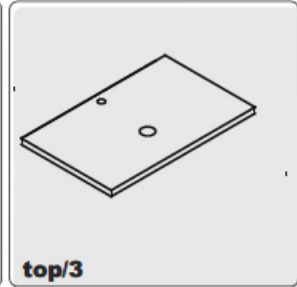
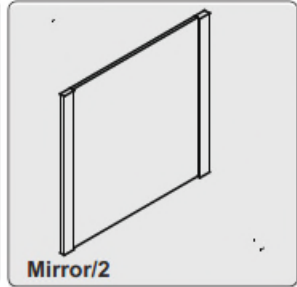
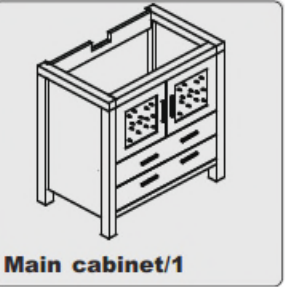
Confidentialal : A

SKU:28"

SIZE: 700x460x880mm

PROHIBIT COPY

PACKING LIST



INSTALLATION PROCESS

