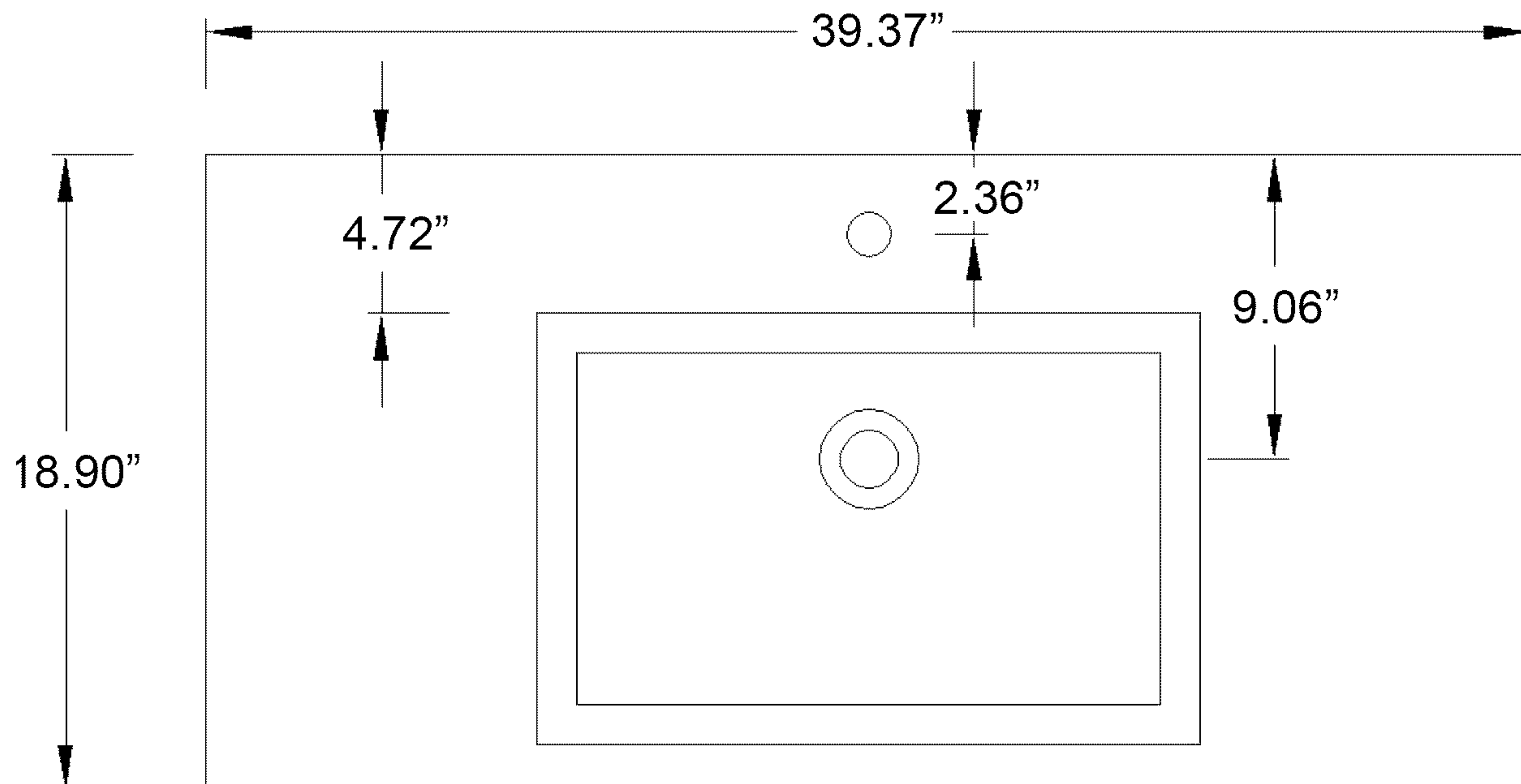
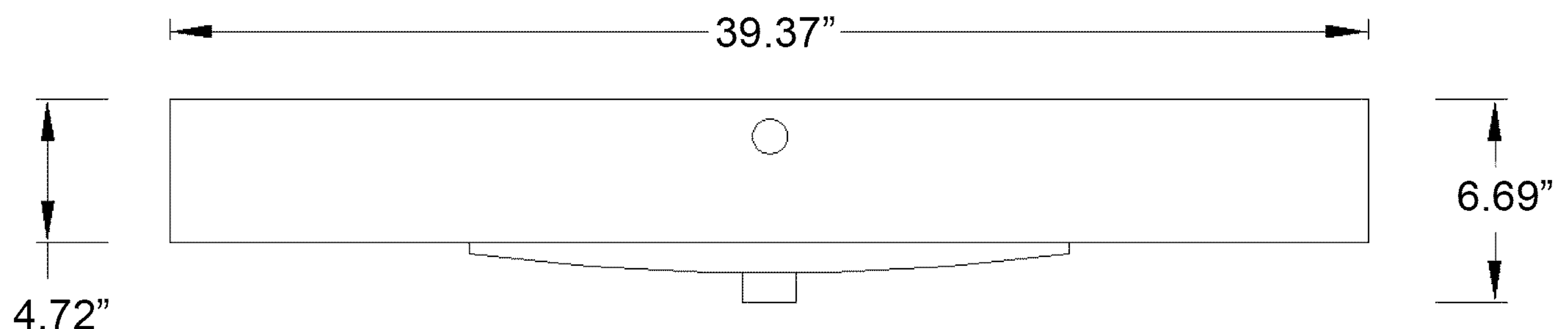


- Clean regularly with hot soapy water and a soft cloth this is much easier and more preferable to the sink finish than infrequent 'heavy' cleaning.
- Use soft or micro fibre cloths (eg. E-cloth).
- A 50% mix of water and white vinegar can be used to remove limescale deposits, ensure to rinse thoroughly after use, do not leave the vinegar in contact with the surface. A nylon scratch pad or toothbrush can be used on difficult areas. Dry the sink after use to delay future build up.
- Always rinse the sink with water after cleaning or preparing food
- Do NOT use spray cleaners (irrespective of the label claims), scouring pads, scouring powders, or scouring liquids, bleach - diluted or neat, especially do not soak items in the bowl for any period; highly concentrated drain cleaners containing hydrochloric or sulphuric acid or similar.
- Cycling very hot and cold substances into the sink, the rapid expansion or contraction may cause cracking. When pouring boiling water into the sink, turn on the cold tap first.



Top View



Side View

*Virtu USA vanities are hand-crafted and may vary with a minor manufacturing tolerance.
Natural stone characteristics are very subjective and may vary with natural veining, crystallization and lining.*