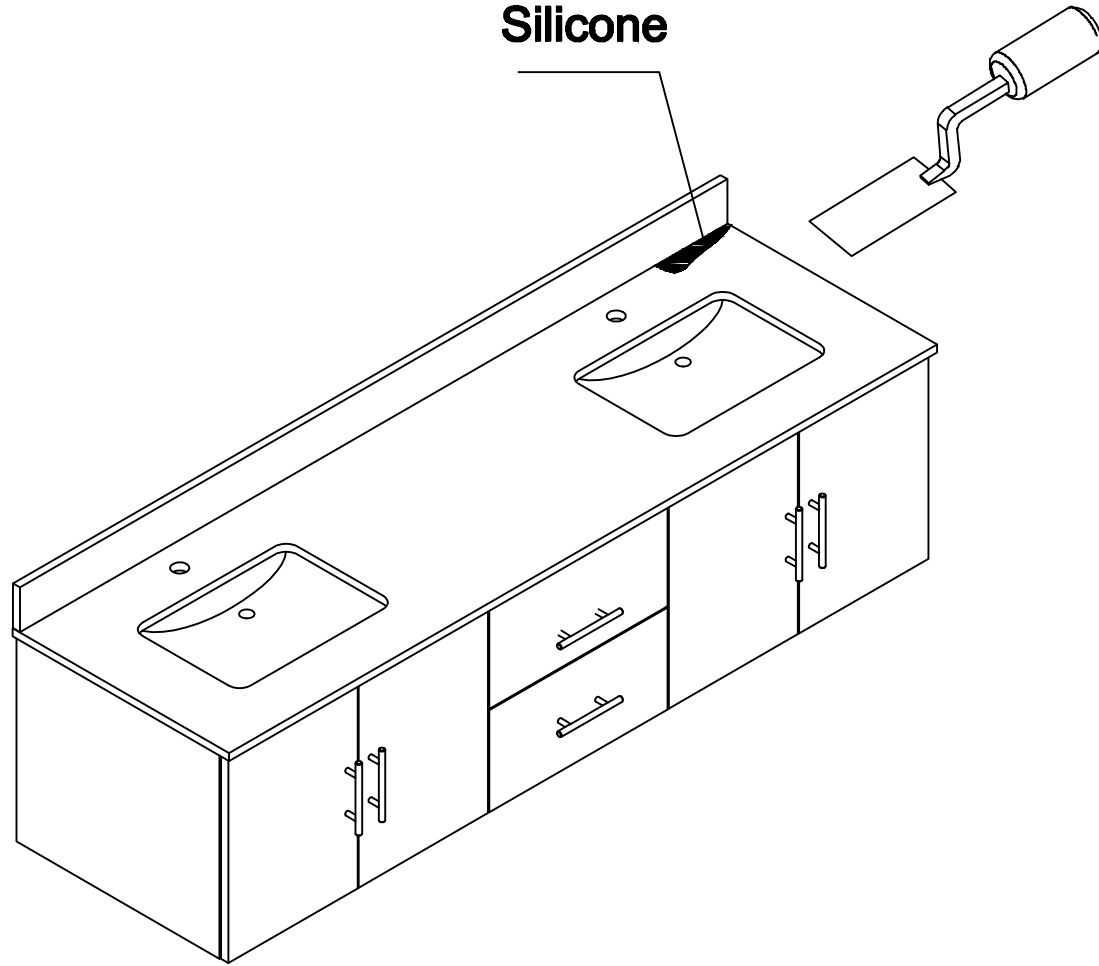


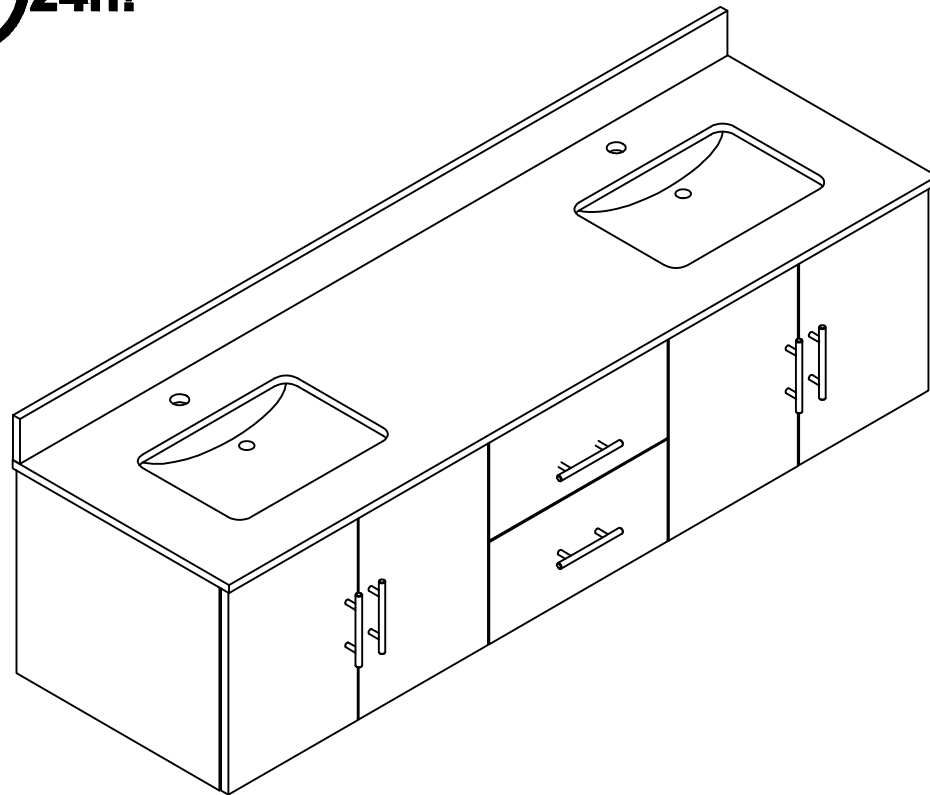
7

Silicone



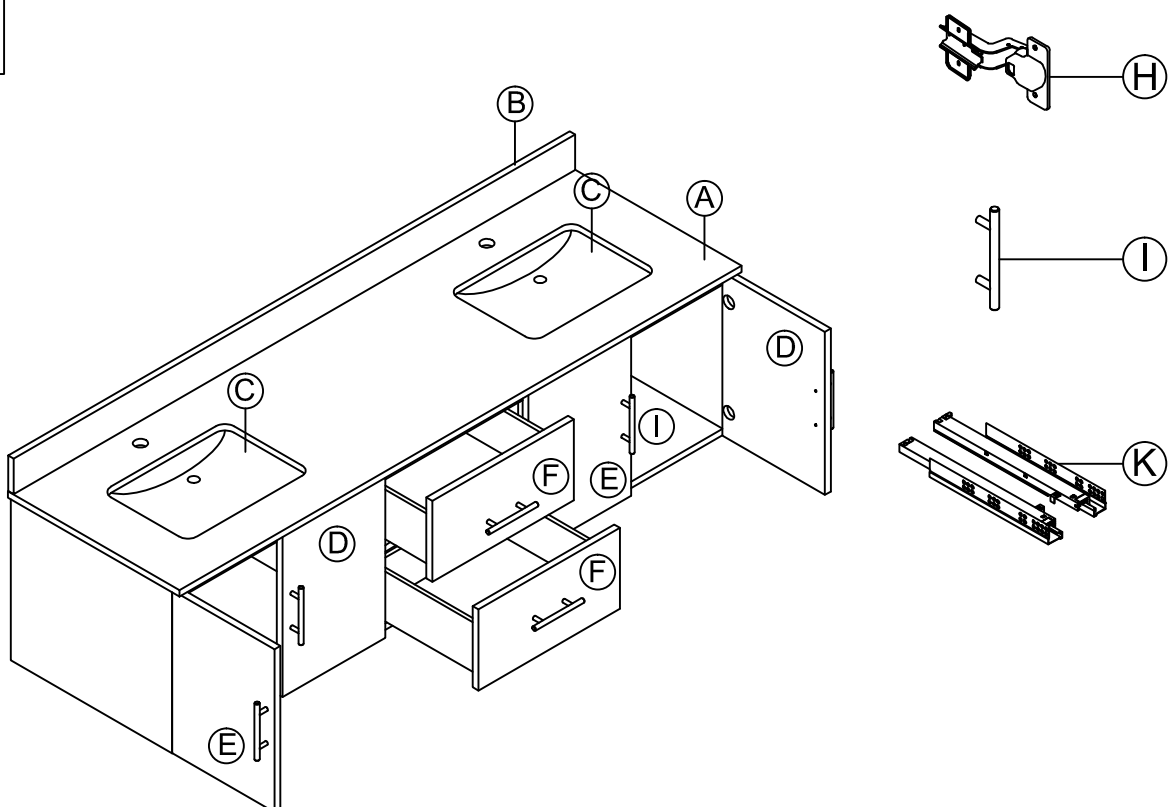
INSTALLATION

8



INSTALLATION

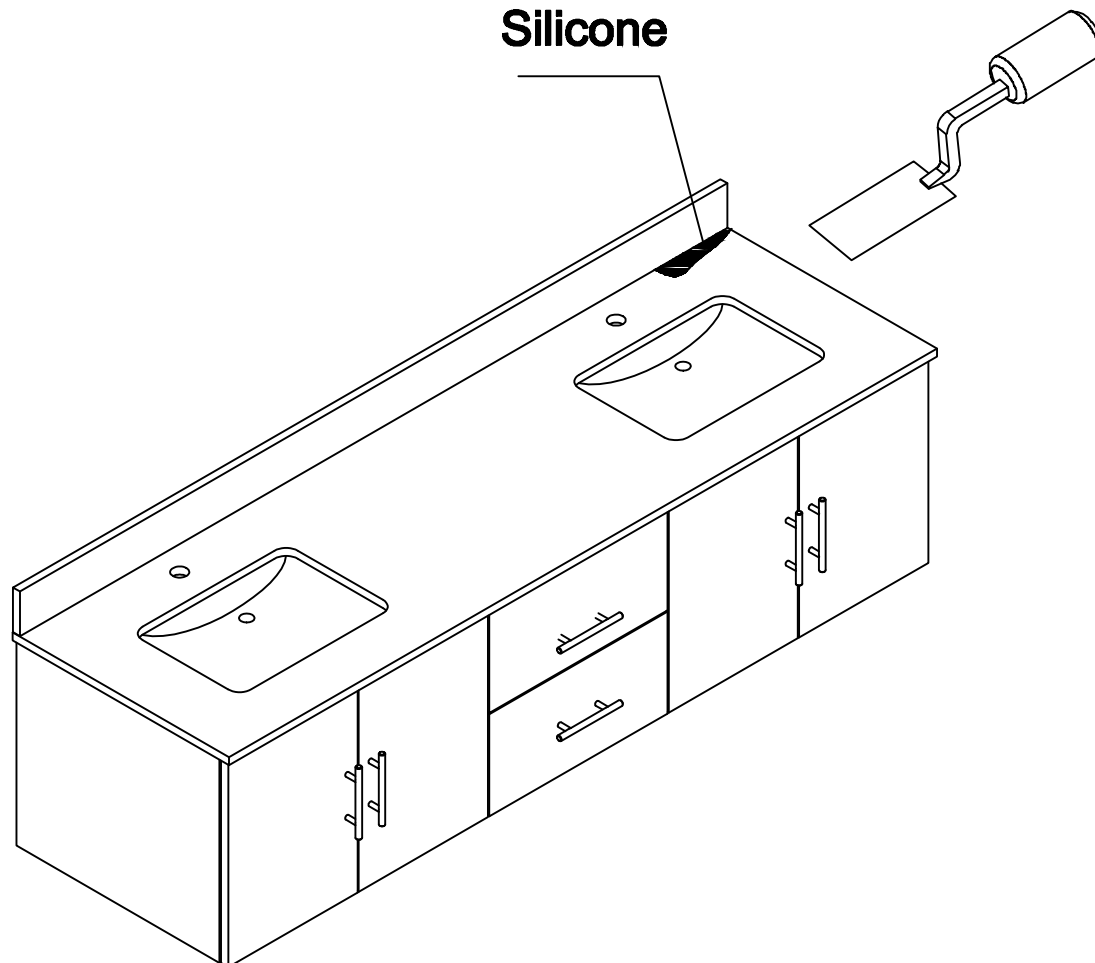
9



PART#	DESCRIPTION	QUANTITY
A	Countertop	1
B	Backsplash	1
C	Basin	2
D	Door (right)	2
E	Door (left)	2
F	Drawer	2
H	Hinge (door)	8
I	handle	6
K	Drawer glides	2

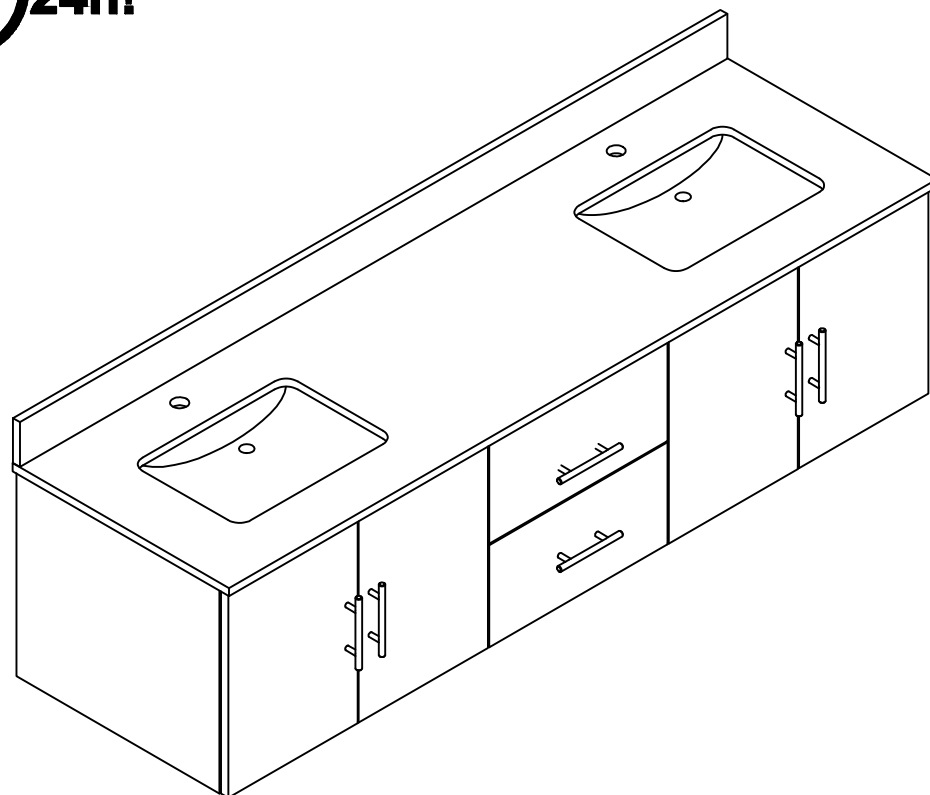
7

Silicone



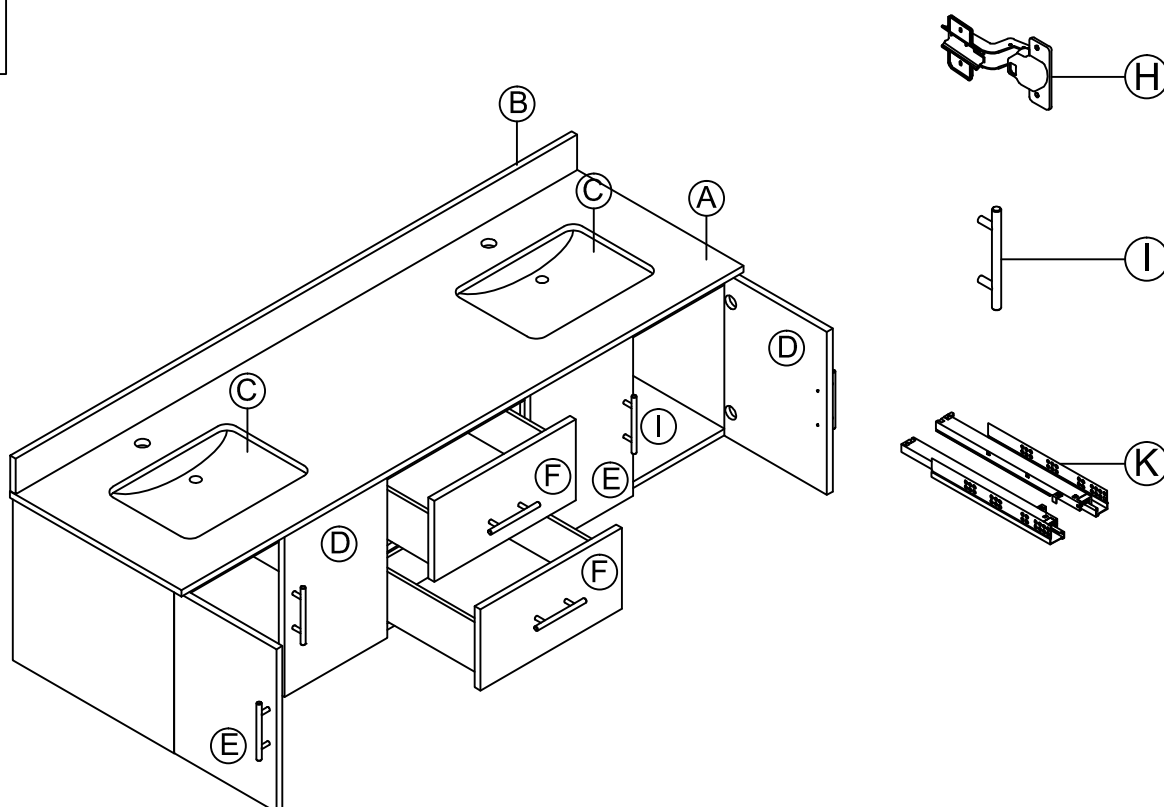
INSTALLATION

8



INSTALLATION

9



PART#	DESCRIPTION	QUANTITY
A	Countertop	1
B	Backsplash	1
C	Basin	2
D	Door (left)	2
E	Door (right)	2
F	Drawer (middle)	2
H	Hinge (door)	8
I	handle	10
K	Drawer glides	6

REMOVE

INSTALL

