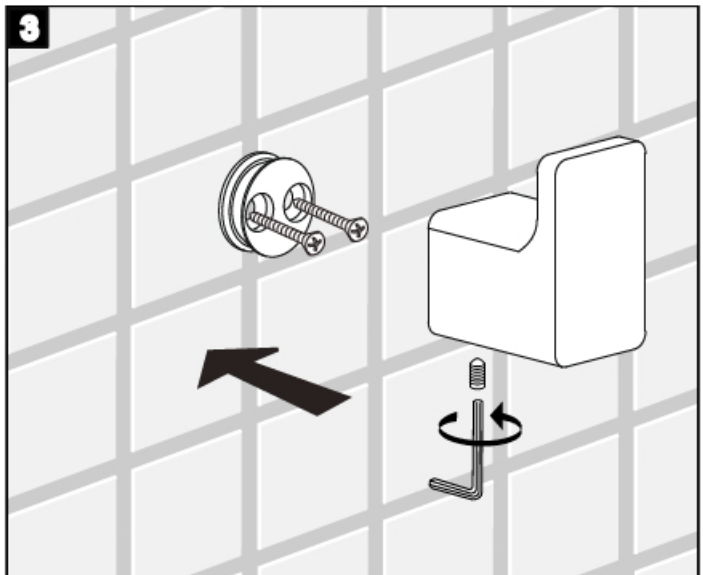
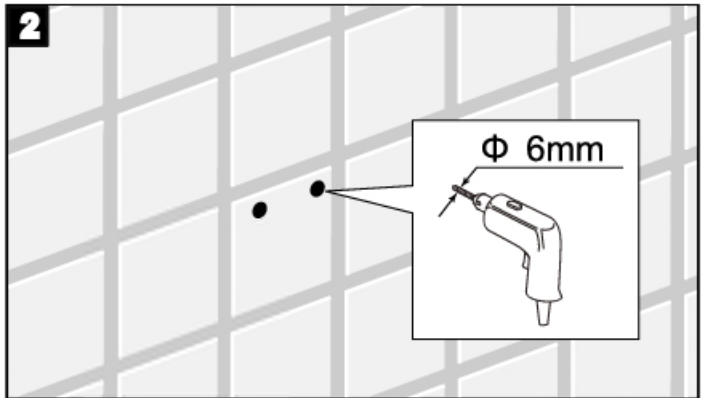
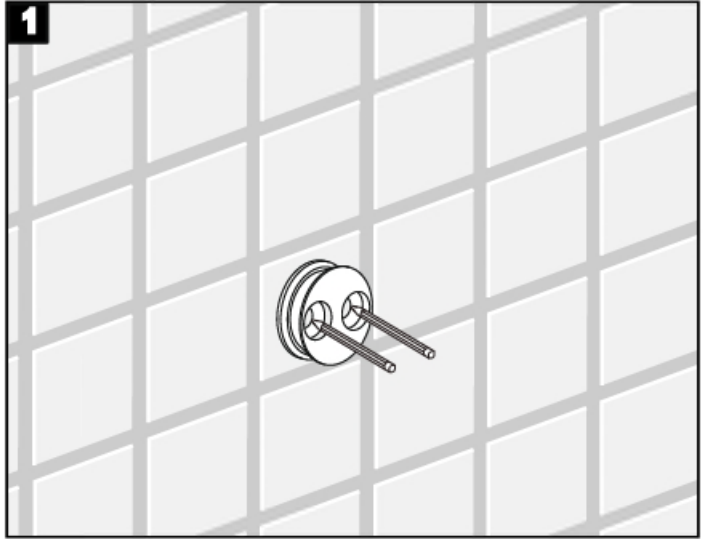
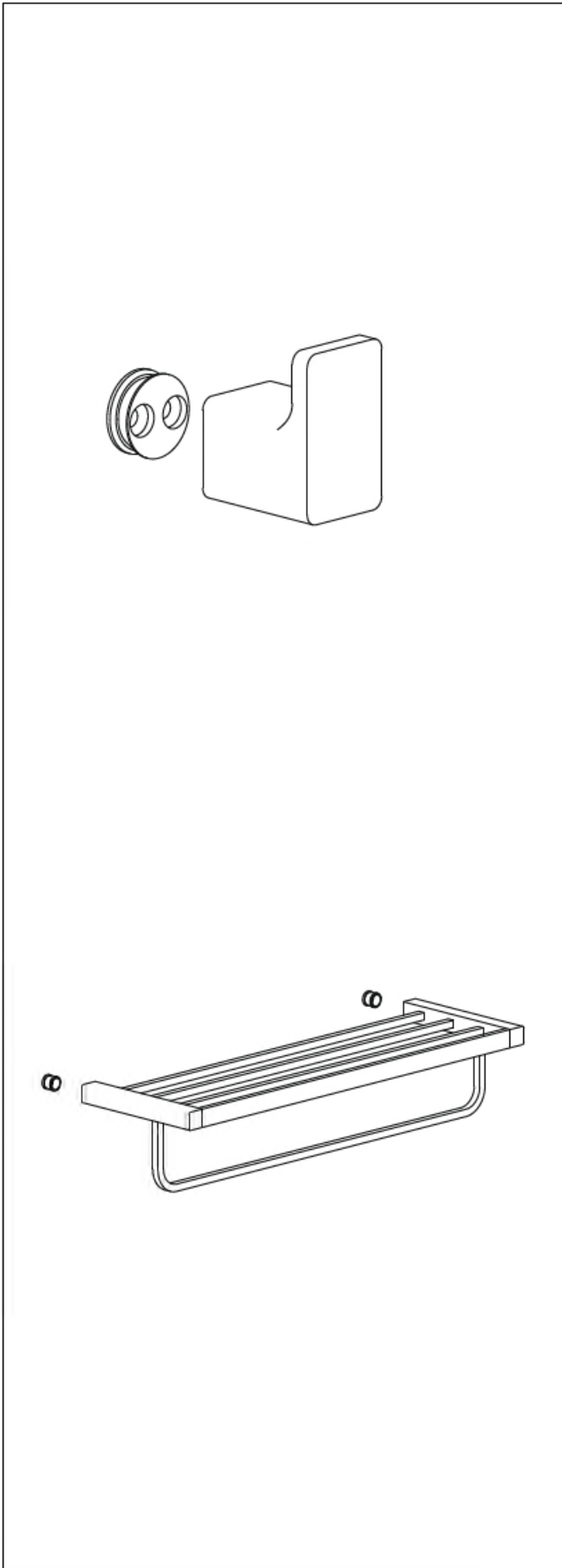


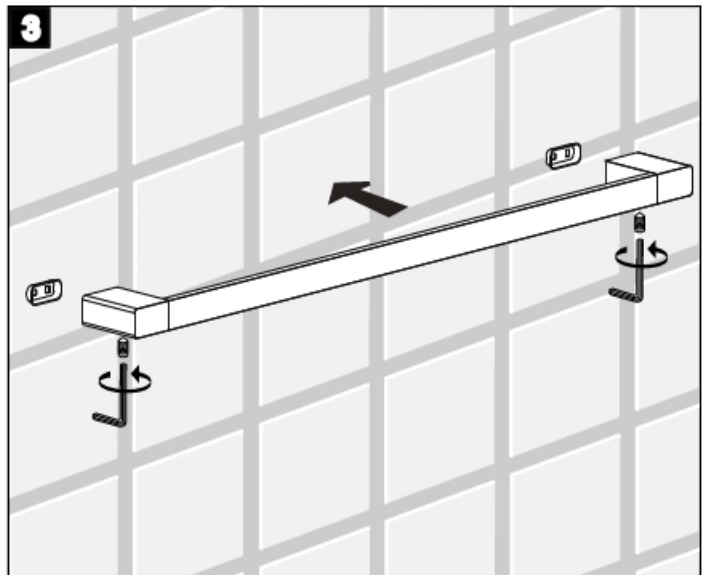
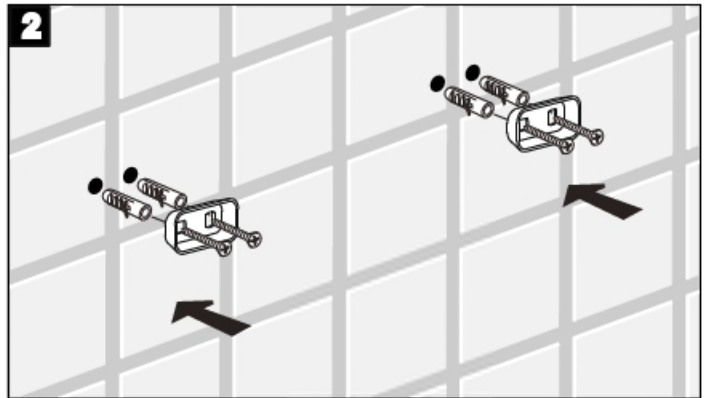
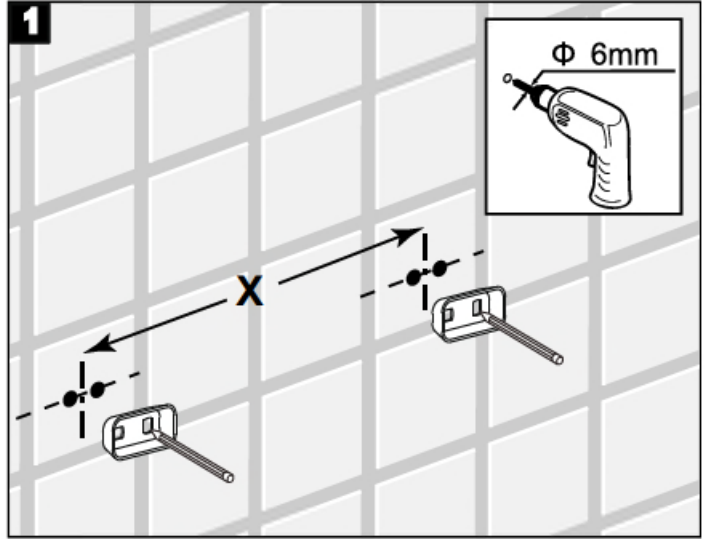
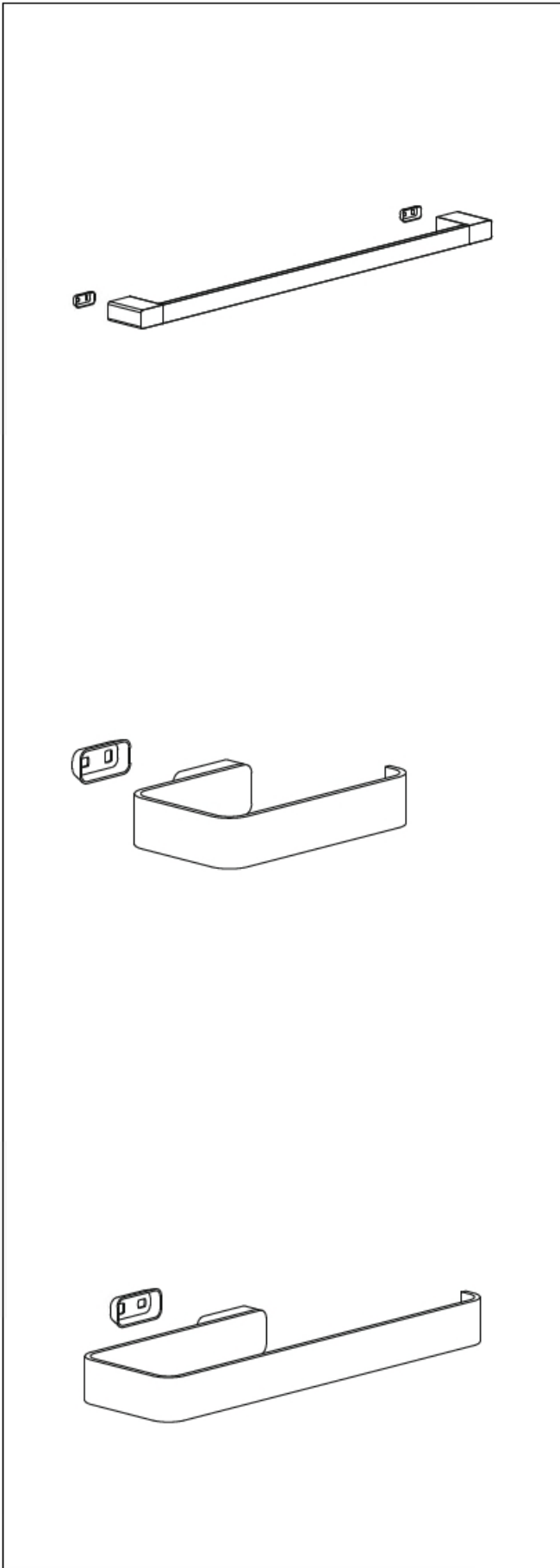
Kräus[®]

INSTALLATION GUIDE

Kraus Bathroom Accessories

KEA-199**





IMPORTANT

Register Your Kraus Product

Activate Your Warranty

Access Premium Customer Support

Get Product Information

Care & Maintenance

*To keep the product clean & shining, follow the steps below:


- Rinse with clean water & dry with a soft cloth
- Do not clean with soaps, acid, polish, abrasives, or harsh cleaners
- Do not use cloth with a coarse surface
- Unscrew the aerator and clean when necessary

*This installation manual is subject to change without further notice.



Kräus®

 **kitchensource.com**

 1.800.667.8721