

**ASSEMBLY INSTRUCTIONS:****Removal and Insertion for Standard Drawers with Undermount Slides.**

Visit our Website to see a Video of these instructions:

[www.jamesmartinvanities.com](http://www.jamesmartinvanities.com) Tabs: Knowledge Base / Solutions / Installation and Assembly

**Step 1 Notes:**

To remove the drawer, pull the drawer towards you until it has reached full extension away from the cabinet.

On the underside of the drawer you will see the pair of metal drawer slides.

Locate the pair of green tabs with pins (A).

They are located near the drawer front and face each other.

One tab is located on each slide, approximately 1 1/2" back from the front of the slide.

**Step 2 Notes:**

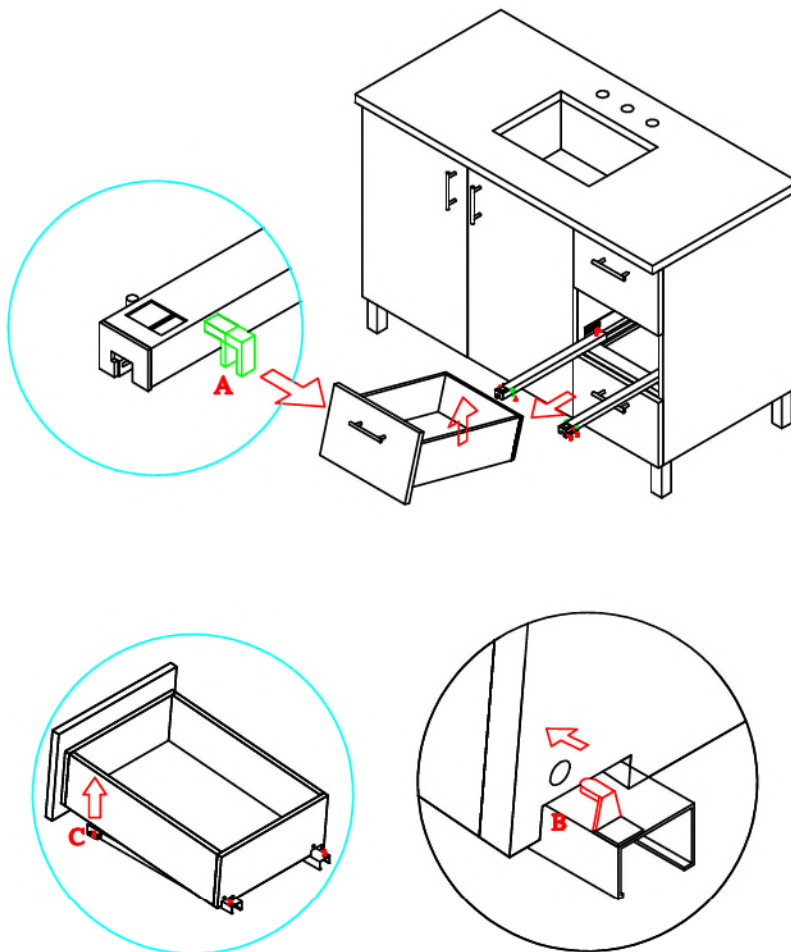
Once you have located the tabs, slowly and gently move them toward each other.

This will unlock the front tab which holds the drawers in place.

Once the tabs are "unlocked" you may gently lift the drawer away from the slides.

Note: there is a pair of pins (B) on top of the slides toward the back of the drawer.

You will need to take care to slowly lift the drawer box up and way from these back pins.



**ASSEMBLY INSTRUCTIONS:****Removal and Insertion for Standard Drawers with Undermount Slides.**

Visit our Website to see a Video of these drawer instructions:

[www.jamesmartinvanities.com](http://www.jamesmartinvanities.com) Tabs: Knowledge Base / Solutions / Installation and Assembly

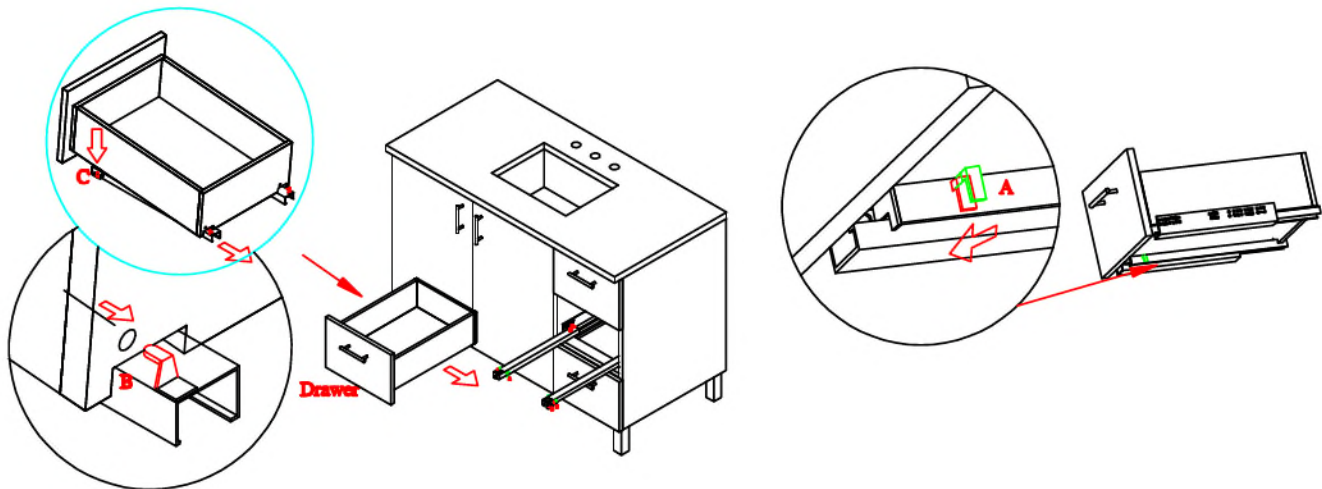
**Step 3 Notes:**

To insert the drawers, please reverse the order of the notes on page 1.

Fully extend the drawer slides away from the cabinet and slowly and gently place the drawer box onto the extended slides.

**Notes:** If you look on the bottom of the drawer, you will see the pre-drilled holes toward the back of the drawer box.

Once you have located these holes, please follow the notes in Step 2, and then review Step 1. Notes to reinsert the pins (B) & (A) & (C) and tabs to lock the drawer into the correct position on the slides.

**Step 4 Notes:**

Please turn the regulating wheels (C) and (D) to adjust the drawer position to match the spacing (alignment) of the other drawers and doors on the cabinet.

