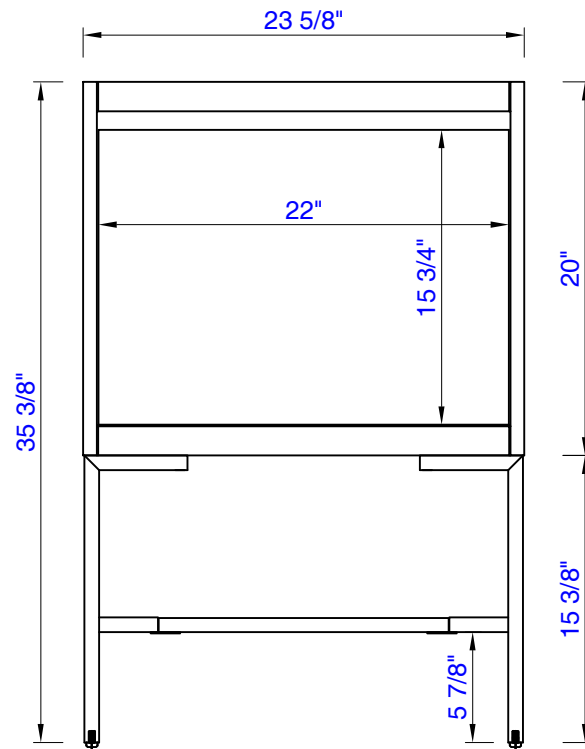


23.6"

- Item Number:  
801-V23.6-GW  
801-V23.6-WLT  
801-V23.6-MGG  
803-B18.1-BNK  
803-B18.1-GW  
803-B18.1-MBK  
803-B18.1-RGD

Milan 23.6" Single Vanity Cabinet  
Milan 18.1" Depth Stainless Steel Base(Tall)  
Diagrams with Dimensions  
page 01 of 03



NOTE ONE: Countertops are not shown in these diagrams. (Cabinet Only)

NOTE TWO: This vanity does not have a Backsplash.

**kitchensource.com** website for Countertop Diagrams: [www.jamesmartinvanities.com](http://www.jamesmartinvanities.com)

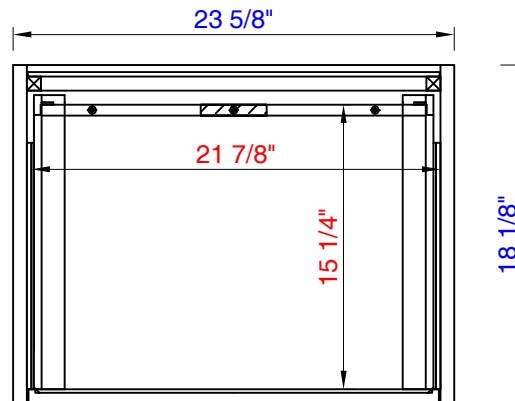
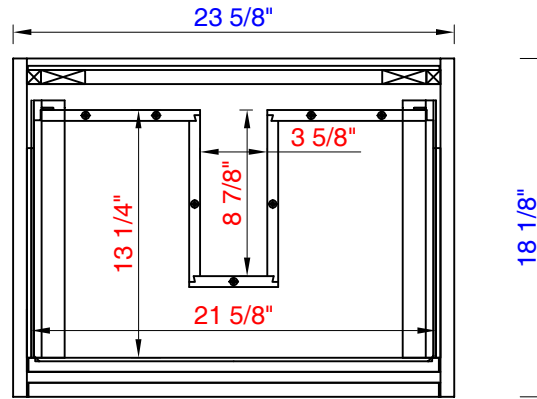
1.800.667.8721

Version:202011

23.6"

- Item Number:
- 801-V23.6-GW
- 801-V23.6-WLT
- 801-V23.6-MGG
- 803-B18.1-BNK
- 803-B18.1-GW
- 803-B18.1-MBK
- 803-B18.1-RGD

Milan 23.6" Single Vanity Cabinet  
Milan 18.1" Depth Stainless Steel Base(Tall)  
Diagrams with Dimensions  
page 02 of 03

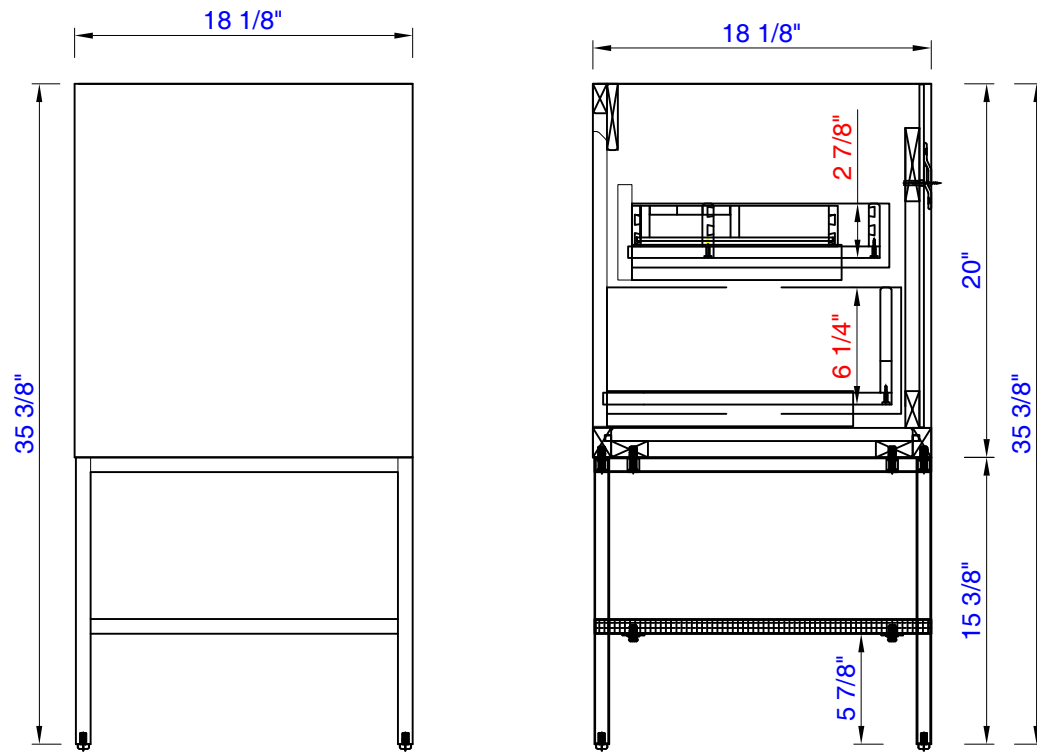


NOTE ONE: Countertops are not shown in these diagrams. (Cabinet Only)  
NOTE TWO: Drawers (Shown) are designed to align with sinks in James Martin's Optional Countertops.  
Customer's own countertops and sinks may align differently, and modification may be required.  
Please consult our website for Countertop Diagrams: [www.jamesmartinvanities.com](http://www.jamesmartinvanities.com)

23.6"

Item Number:  
801-V23.6-GW  
801-V23.6-WLT  
801-V23.6-MGG  
803-B18.1-BNK  
803-B18.1-GW  
803-B18.1-MBK  
803-B18.1-RGD

Milan 23.6" Single Vanity Cabinet  
Milan 18.1" Depth Stainless Steel Base(Tall)  
Diagrams with Dimensions  
page 03 of 03



NOTE ONE: Countertops are not shown in these diagrams. (Cabinet Only)

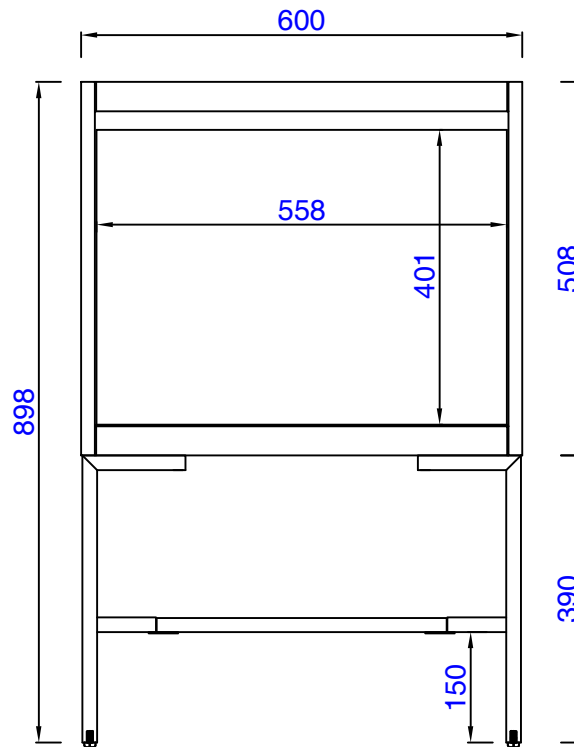
NOTE TWO: This vanity does not have a Backsplash.

Please consult our website for Countertop Diagrams: [www.jamesmartinvanities.com](http://www.jamesmartinvanities.com)

600mm

Item Number:  
801-V23.6-GW  
801-V23.6-WLT  
801-V23.6-MGG  
803-B18.1-BNK  
803-B18.1-GW  
803-B18.1-MBK  
803-B18.1-RGD

**Milan 600mm Single Vanity Cabinet**  
**Milan 458mm Depth Stainless Steel Base(Tall)**  
Diagrams with Dimensions  
page 01 of 03



NOTE ONE: Countertops are not shown in these diagrams. (Cabinet Only)

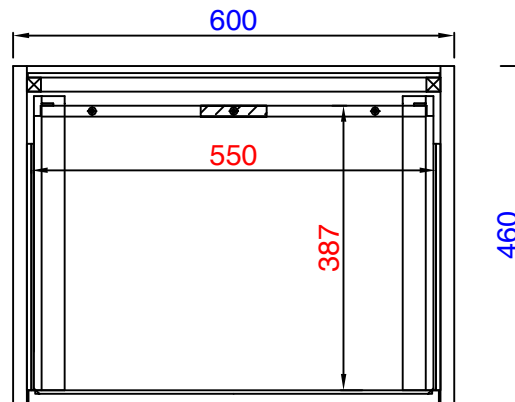
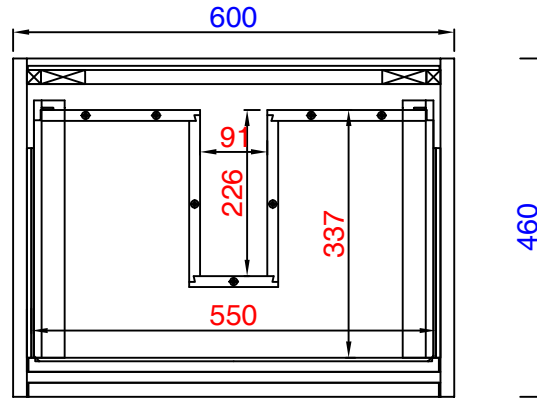
NOTE TWO: This vanity does not have a Backsplash.

Please consult our website for Countertop Diagrams: [www.jamesmartinvanities.com](http://www.jamesmartinvanities.com)

600mm

- Item Number:
- 801-V23.6-GW
- 801-V23.6-WLT
- 801-V23.6-MGG
- 803-B18.1-BNK
- 803-B18.1-GW
- 803-B18.1-MBK
- 803-B18.1-RGD

Milan 600mm Single Vanity Cabinet  
Milan 458mm Depth Stainless Steel Base(Tall)  
Diagrams with Dimensions  
page 02 of 03



NOTE ONE: Countertops are not shown in these diagrams. (Cabinet Only)

NOTE TWO: Drawers (Shown) are designed to align with sinks in James Martin's Optional Countertops.

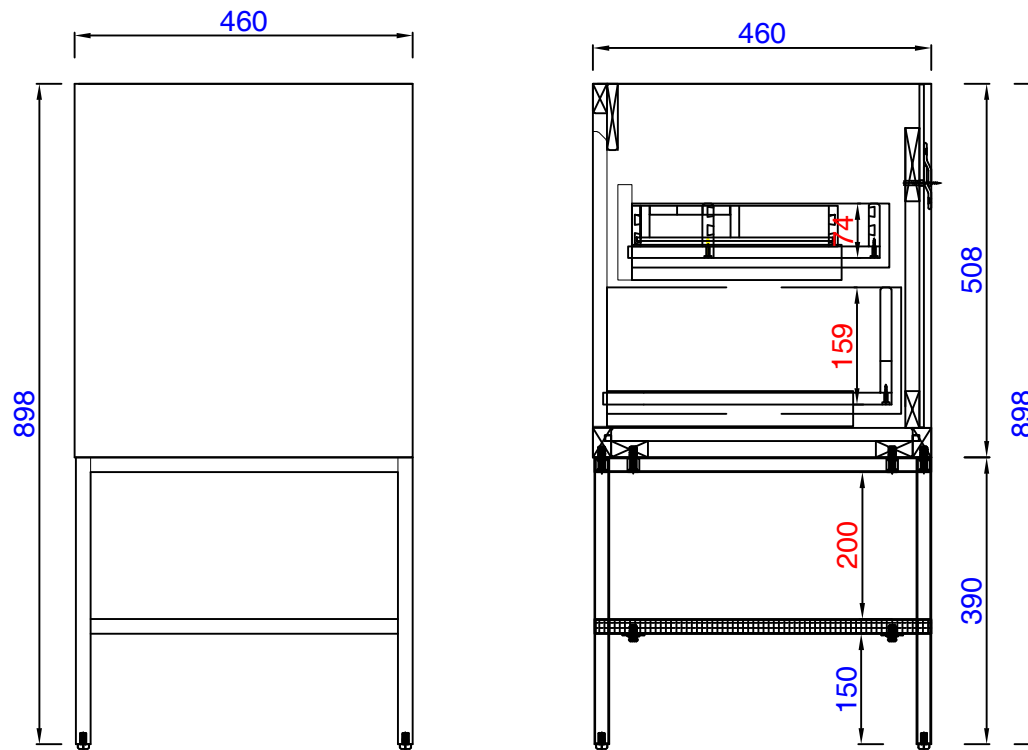
Customer's own countertops and sinks may align differently, and modification may be required.

Please consult our website for Countertop Diagrams: [www.jamesmartinvanities.com](http://www.jamesmartinvanities.com)

600mm

- Item Number:
- 801-V23.6-GW
- 801-V23.6-WLT
- 801-V23.6-MGG
- 803-B18.1-BNK
- 803-B18.1-GW
- 803-B18.1-MBK
- 803-B18.1-RGD

Milan 600mm Single Vanity Cabinet  
Milan 458mm Depth Stainless Steel Base(Tall)  
Diagrams with Dimensions  
page 03 of 03



NOTE ONE: Countertops are not shown in these diagrams. (Cabinet Only)

NOTE TWO: This vanity does not have a Backsplash.

Please consult our website for Countertop Diagrams: [www.jamesmartinvanities.com](http://www.jamesmartinvanities.com)