

36"

Item Number:

620-V36-BNM
620-V36-CWH
620-V36-WW

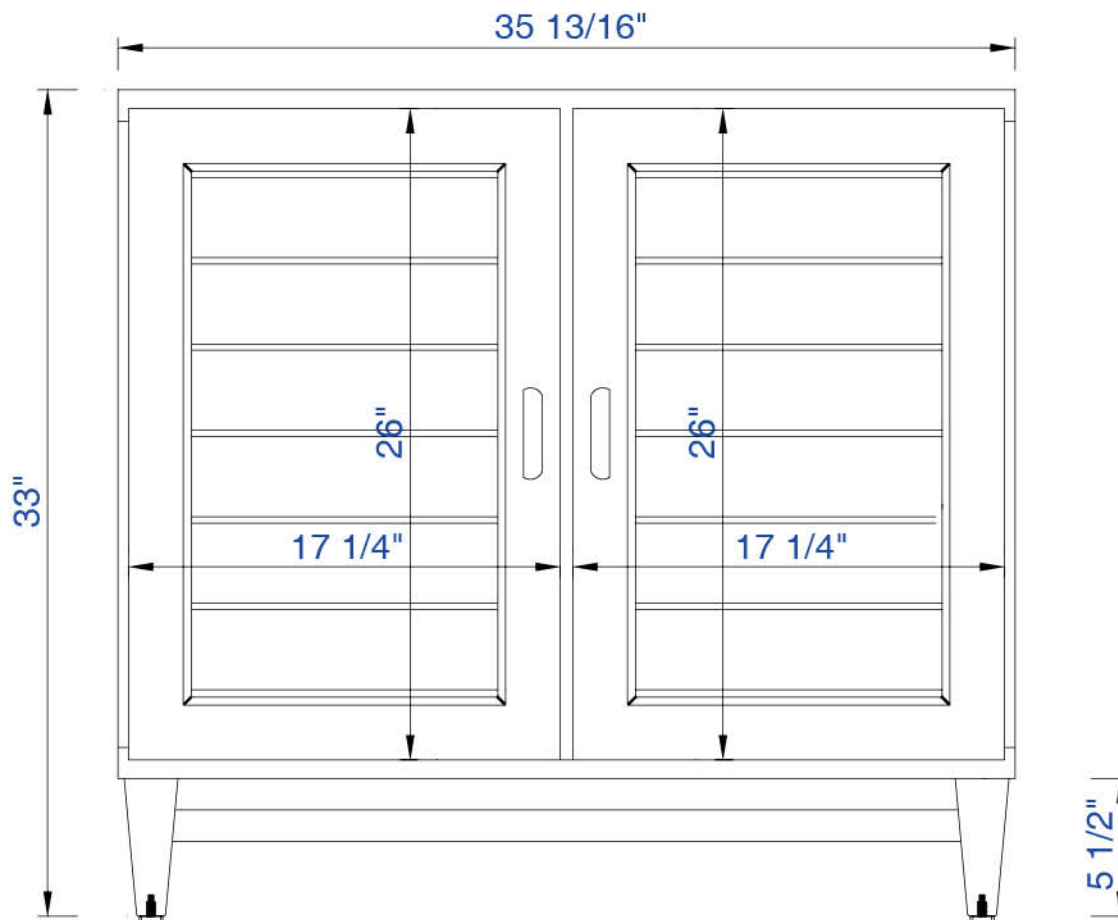
JAMES MARTIN



VANITIES

Portland 36" Cabinet

Diagrams with Dimensions
page 01 of 03



NOTE ONE: Countertops are not shown in these diagrams. (Cabinet Only)

NOTE TWO: This vanity does not have a Backsplash.

36"

Item Number:

620-V36-BNM
620-V36-CWH
620-V36-WW

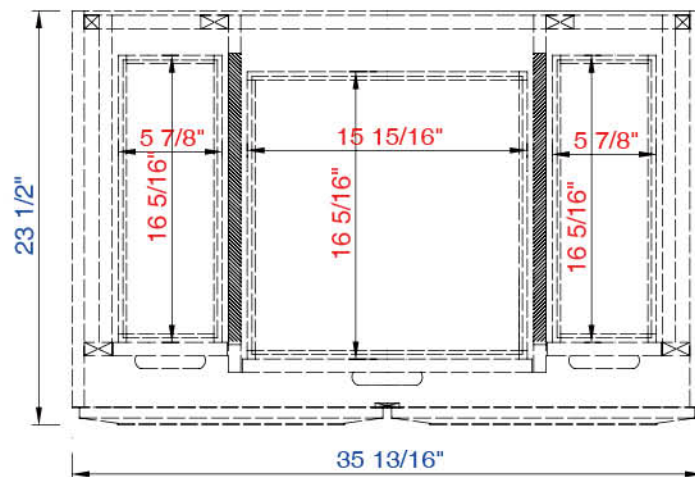
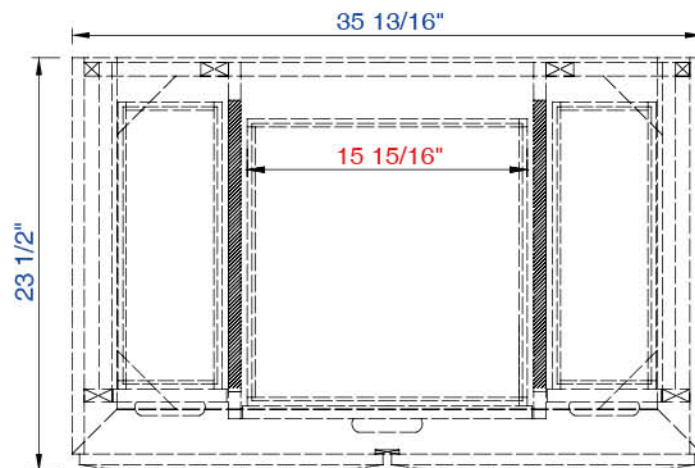
JAMES MARTIN



VANITIES

Portland 36" Cabinet

Diagrams with Dimensions
page 02 of 03



NOTE ONE: Countertops are not shown in these diagrams. (Cabinet Only)

NOTE TWO: This vanity does not have a Backsplash.

36"

Item Number:

620-V36-BNM
620-V36-CWH
620-V36-WW

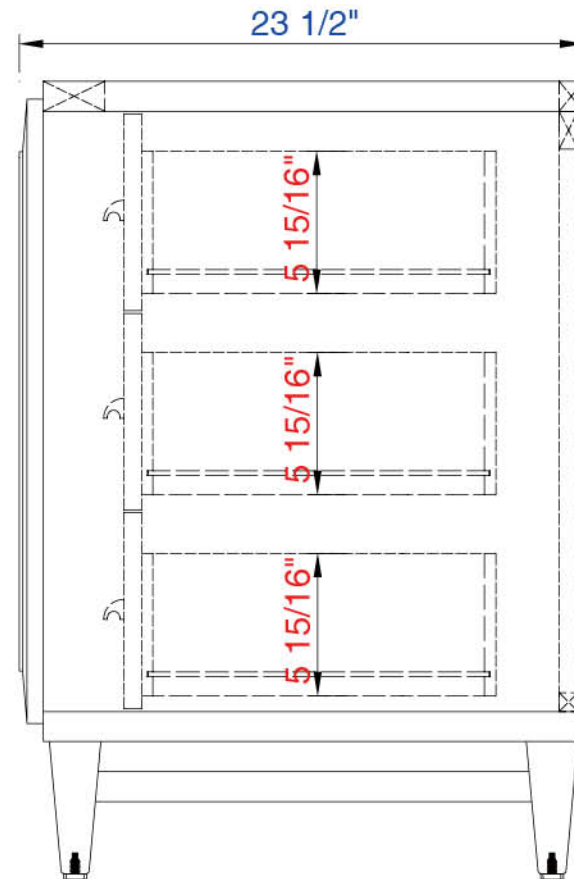
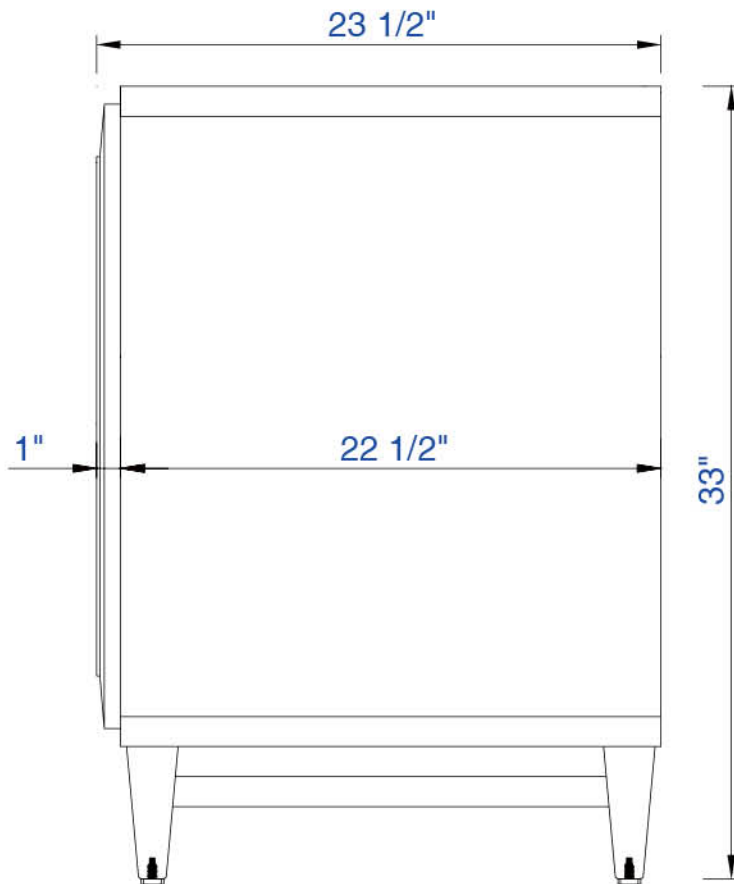
JAMES MARTIN



VANITIES

Portland 36" Cabinet

Diagrams with Dimensions
page 03 of 03



NOTE ONE: Countertops are not shown in these diagrams. (Cabinet Only)

NOTE TWO: This vanity does not have a Backsplash.

914

Item Number:

620-V36-BNM
620-V36-CWH
620-V36-WW

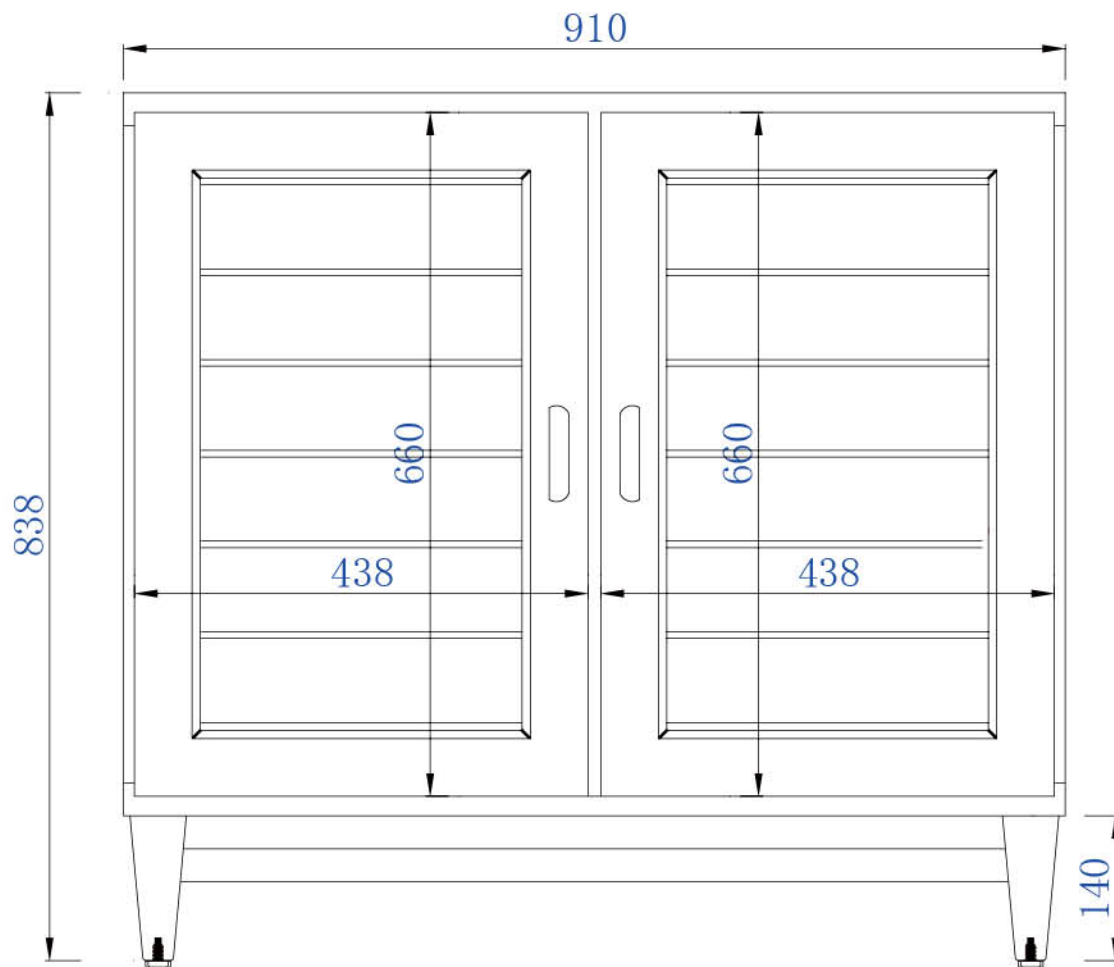
JAMES MARTIN



VANITIES

Portland 914 Cabinet

Diagrams with Dimensions
page 01 of 03



NOTE ONE: Countertops are not shown in these diagrams. (Cabinet Only)

NOTE TWO: This vanity does not have a Backsplash.

Item Number:

620-V36-BNM
 620-V36-CWH
 620-V36-WW

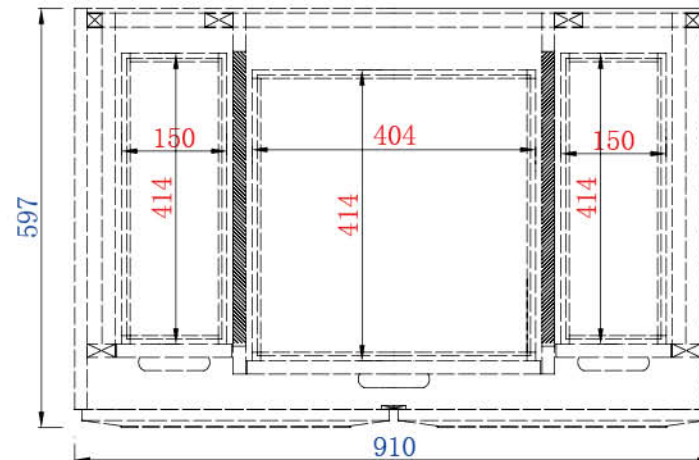
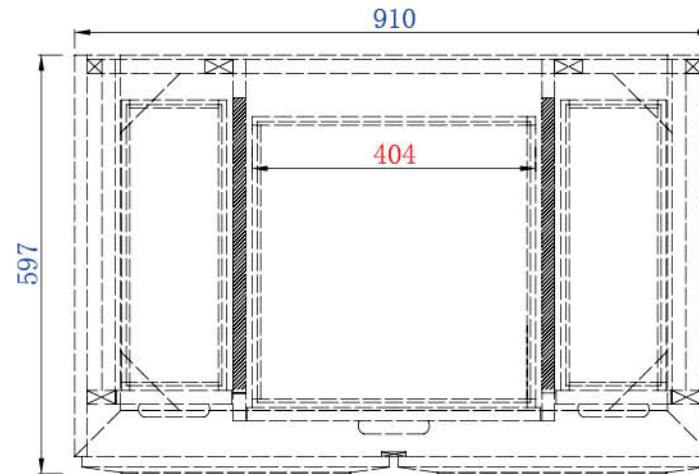
JAMES MARTIN



VANITIES

Portland 914 Cabinet

Diagrams with Dimensions
 page 02 of 03



NOTE ONE: Countertops are not shown in these diagrams. (Cabinet Only)

NOTE TWO: This vanity does not have a Backsplash.

Item Number:

620-V36-BNM
 620-V36-CWH
 620-V36-WW

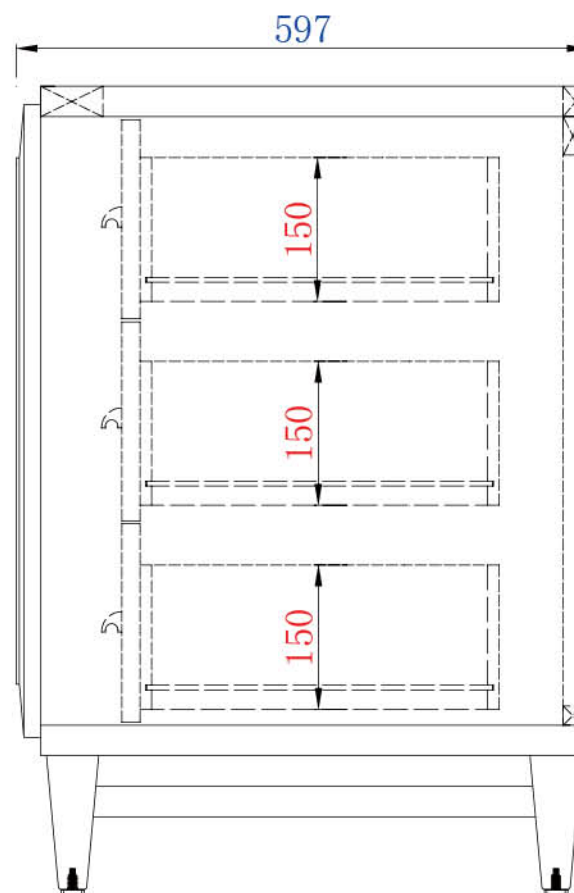
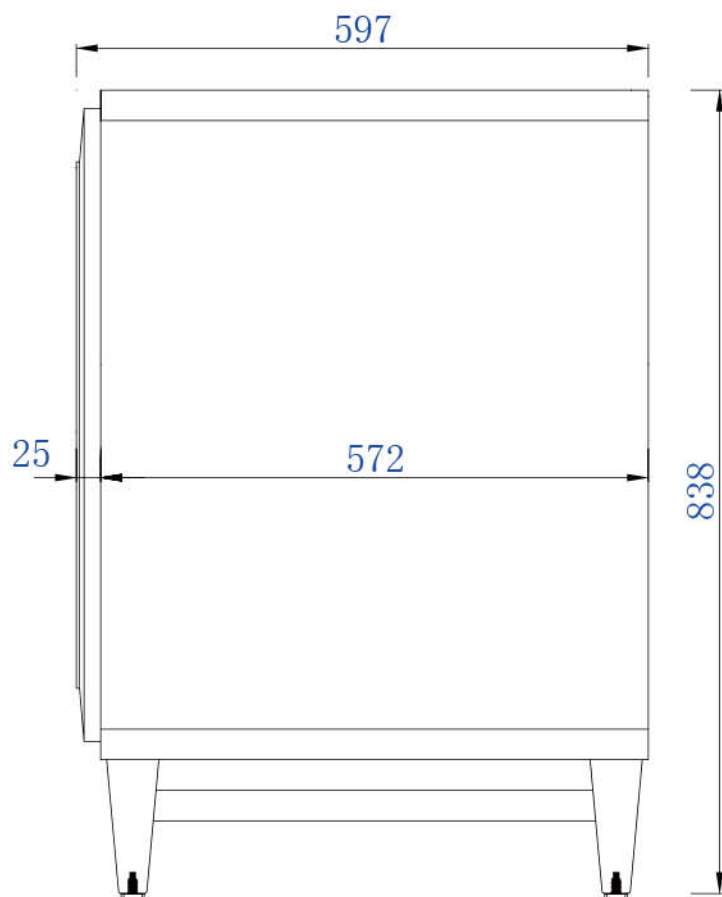
JAMES MARTIN



VANITIES

Portland 914 Cabinet

Diagrams with Dimensions
 page 03 of 03



NOTE ONE: Countertops are not shown in these diagrams. (Cabinet Only)

NOTE TWO: This vanity does not have a Backsplash.