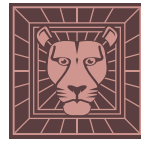


72"D

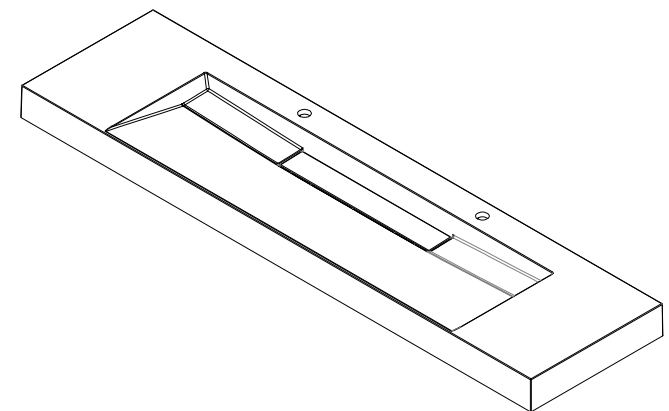
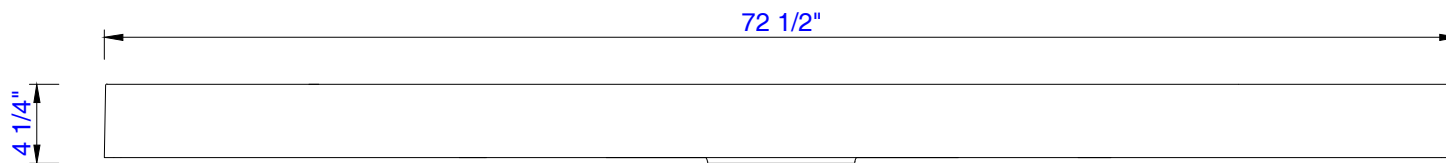
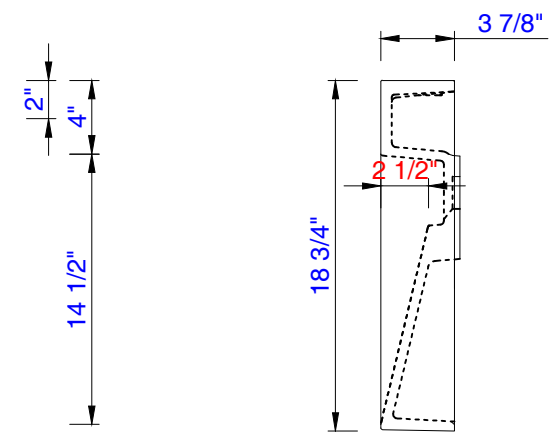
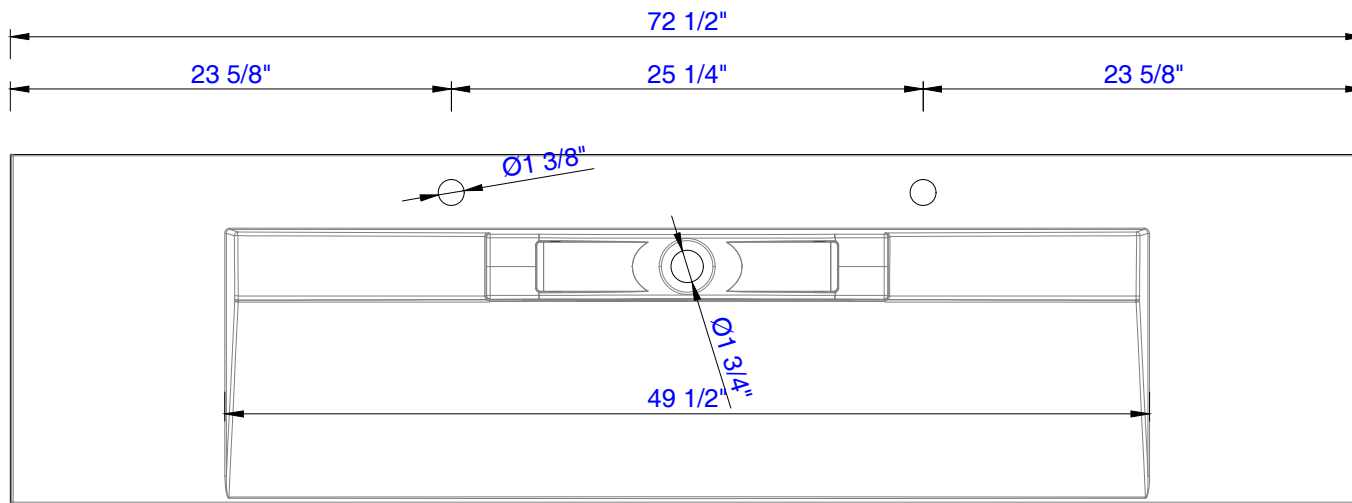
Item Number:  
CS-S378D-GW  
CS-S378D-DGG

JAMES MARTIN



VANITIES™

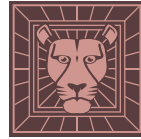
M-Series 72" Double Basin  
Two Integrated Rectangular Sinks  
Diagrams with Dimensions  
page 01 of 01



1842mm

Item Number:  
CS-S378D-GW  
CS-S378D-DGG

JAMES MARTIN



VANITIES™

M-Series 1842mm Double Basin  
Two Integrated Rectangular Sinks  
Diagrams with Dimensions  
page 01 of 01

