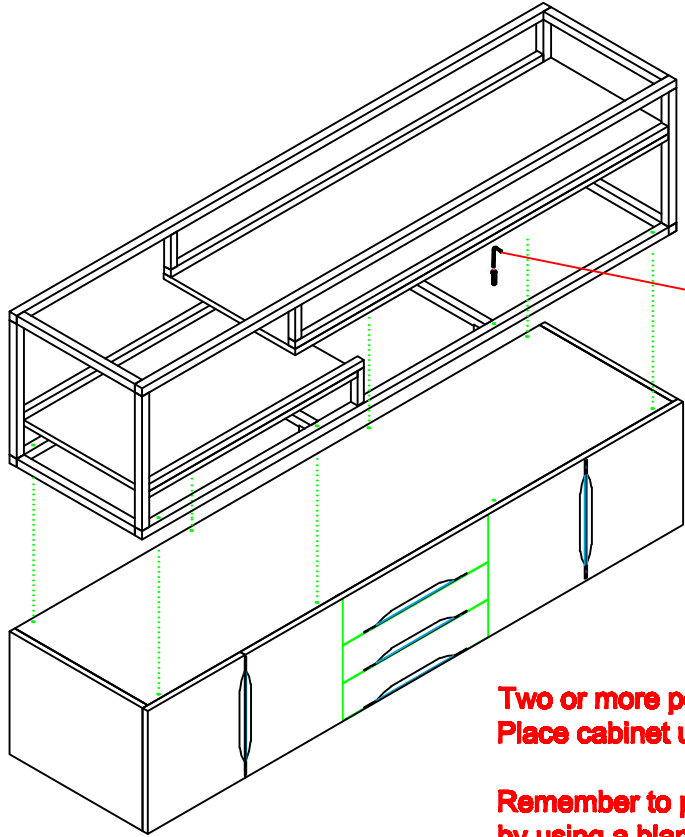



**389-V72-CFO-A / 389-V72-LTO-A Vanity
Assembly Instructions**

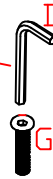
JAMES MARTIN



VANITIES

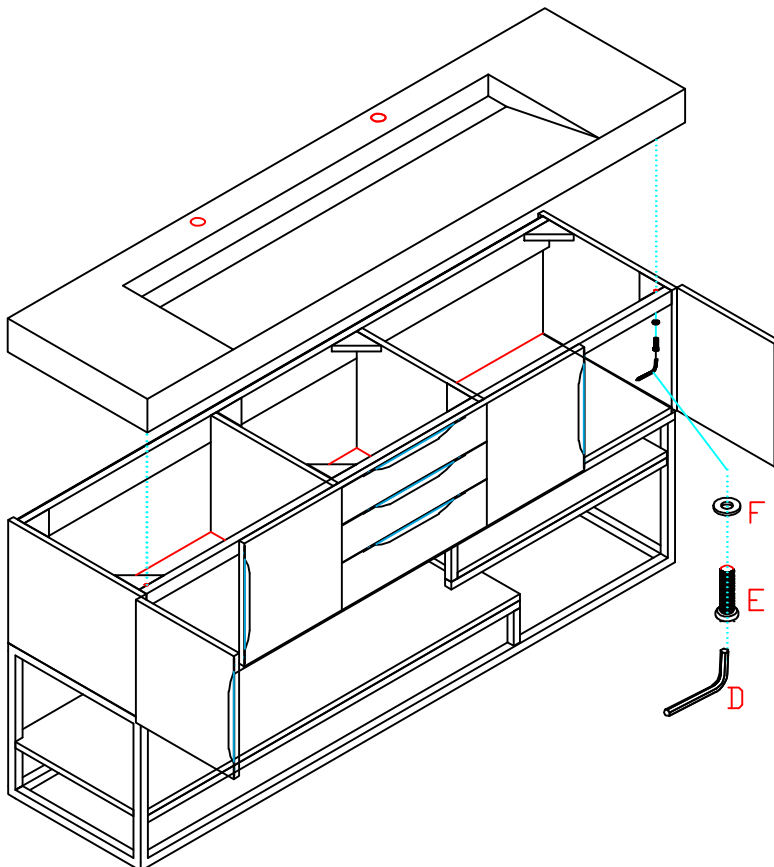


E=8PCS $\phi 1/4 \times 1-1/2$ 



**Two or more people required for assembly.
Place cabinet upside down, to attach metal base.**

**Remember to protect your floors and the cabinet,
by using a blanket or similar material as a cushion.**




A=16PCS $\phi 6 \times 30$ 

B=4PCS 58*48*7 

C=16PCS $\phi 4 \times 30$ 

D=1PC $\phi 4$ 

E=2PCS $\phi 1/4 \times 1-3/4$ 

F=2PCS $\phi 19$ 



Made in China